

SPGO TYPE

SPECIAL PACKINGS
FOR PISTON SEALS
RAREFLON (PTFE) +
NITRILE RUBBER (NBR)



● Please designate NOK Part number and type & size on your order.

(Example) • Type Dimensions SPGO 14 20 3

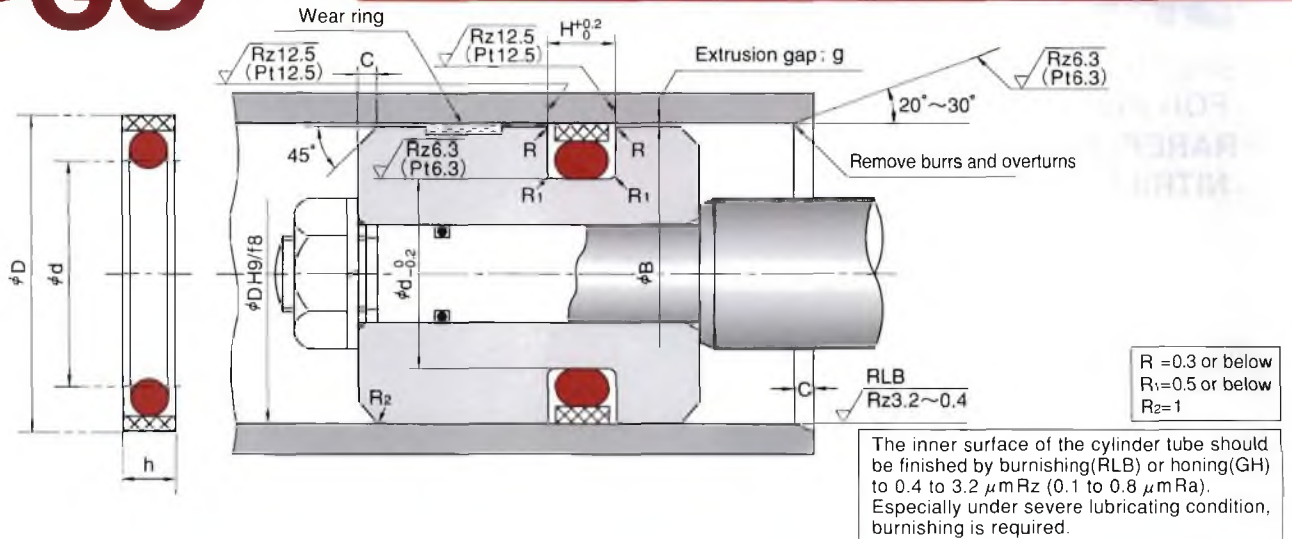
└─ Type Sign └─ Nominal Size of Packing
described in order of
inner diameter(d), outer diameter(D), and height(h)

• Part Number GS1800V0

● Please check the application range on pages 14 and 15 before selecting the type.

Material	NOK 19YF + NOK A305
-----------------	---------------------

SPGO TYPE SPECIAL PACKINGS FOR PISTON SEALS



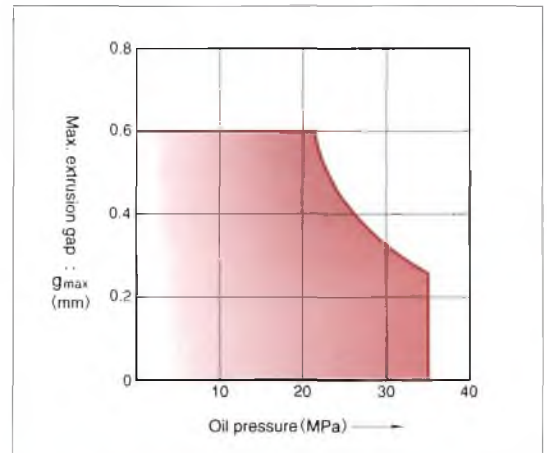
● The roughness is JIS B 0601 : 2001.
When regulation length cannot be kept, apply Pt.

Nominal Number	Nominal Size of Packing, and Housing dimensions					NOK Part Number	
	d	D	h	H	C		
SPGO 20	14	20	3	3.2	2	GS1800V0	
25	19	25				GS1801V0	
30	21.5	30	3.8	4	3.5	GS1802V0	
31.5	23	31.5				GS1803V0	
32	23.5	32				GS1804V0	
35	26.5	35				GS1805V0	
35.5	27	35.5				GS1806V0	
40	31.5	40				GS1807V0	
45	36.5	45			GS1808V0		
50	41.5	50			4	5	GS1809V0
53	44.5	53					GS1810V0
55	46.5	55					GS1811V0
56	47.5	56	GS1812V0				
60	51.5	60	GS1813V0				
63	49	63	GS1814V0				
65	51	65	GS1815V0				
70	56	70	GS1816V0				
71	57	71	GS1817V0				
75	61	75	6.3	6.5	GS1818V0		
80	66	80			GS1819V0		
85	71	85			GS1820V0		
90	76	90			GS1821V0		
95	81	95			GS1822V0		
100	86	100			GS1823V0		
105	91	105			GS1824V0		
110	96	110			GS1825V0		
112	98	112			GS1826V0		
115	101	115			6.5	6.5	GS1827V0
120	106	120	GS1828V0				

F DIMENSION SPGO

HOW TO DETERMINE B DIMENSION

To determine B dimension, please refer to the graph in the right for the maximum extrusion gap (one side) considering the eccentricity of operating condition of the piston.



Nominal Number	Nominal Size of Packing, and Housing dimensions					NOK Part Number
	d	D	h	H	C	
SPGO 125	111	125	6.3	6.5	6.5	GS1829V0
130	116	130				GS1830V0
135	121	135				GS1831V0
140	126	140				GS1832V0
150	136	150				GS1833V0
160	146	160				GS1834V0
170	150	170				GS1835V0
180	160	180				GS1836V0
190	170	190				GS1837V0
200	180	200				GS1838V0
210	190	210	GS1839V0			
220	200	220	GS1840V0			
224	204	224	GS1841V0			
230	210	230	GS1842V0			
240	220	240	GS1843V0			
250	230	250	GS1844V0			
260	240	260	GS1845V0			
270	250	270	GS1846V0			
280	260	280	GS1847V0			
290	270	290	GS1848V0			
300	280	300	GS1849V0			
310	290	310	GS1850V0			
320	300	320	GS1851V0			
340	320	340	GS1852V0			
350	330	350	GS1853V0			
360	340	360	GS1854V0			
375	355	375	GS1855V0			
380	360	380	GS1856V0			
400	380	400	GS1857V0			

F DIMENSION SPGO