

# CPI TYPE

SPECIAL PACKINGS  
FOR PISTON SEALS  
IRON RUBBER (AU)



● Please designate NOK Part number and type & size on your order.

(Example) • Type Dimensions

CPI      25 10 2.5 10

Type Sign

Nominal Size of Packing  
described in order of  
outer diameter(D), height(h), thickness(t), and inner diameter(d)

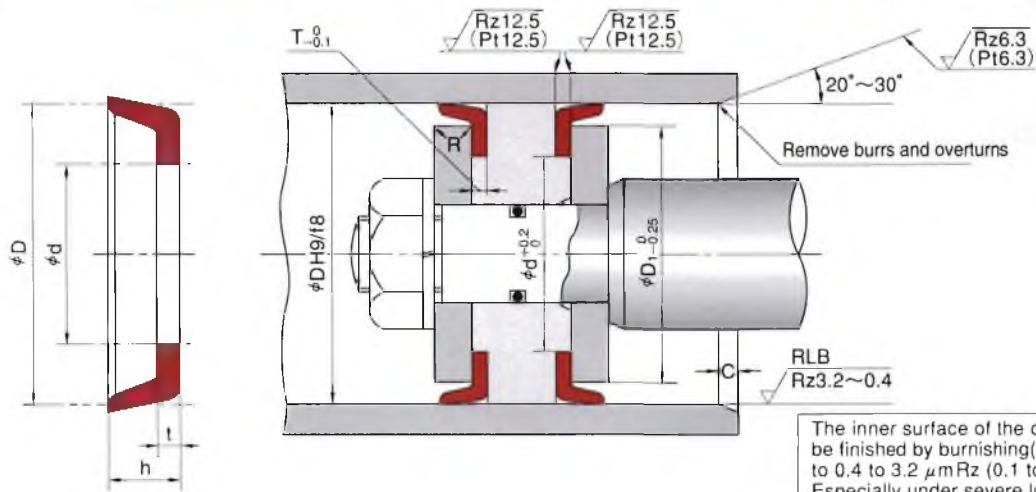
• Part Number

FC0013C0

● Please check the application range on pages 14 and 15 before selecting the type.

<b>Material</b>	NOK U801
-----------------	----------

# CPI TYPE SPECIAL PACKINGS FOR PISTON SEALS



●The roughness is JIS B 0601 : 2001.  
When regulation length cannot be kept, apply Pt.

Nominal Size of Packing, and Housing dimensions

D	h	t	d	φD <sub>1</sub>	T	R	C	NOK Part Number		
25	10	2.5	10	17	2.4	1.5	3	FC0013C0		
28	10	2.5	10	20				FC0015C0		
30	10	2.5	12	22				FC0020C0		
31.5	10	2.5	14	23.5				FC0022C0		
35	10	2.5	16	27				FC0026C0		
35.5	10	2.5	16	27.5				FC0398C0		
40	10	2.5	20	32				FC0035C0		
45	12	3	20	36				FC0046C0		
50	12	3	22	41				FC0055C0		
53	12	3	25	44				FC0064C0		
55	12	3	25	46	FC0068C0					
56	12	3	25	47	FC0070C0					
60	12	3	30	51	2.9	2	3.5	FC0077C0		
63	12	3	35	54				FC0090C0		
65	12	3	35	56				FC0095C0		
67	12	3	38	58				FC0102C1		
70	12	3	38	61				FC0106C0		
71	12	3	40	62				FC0114C0		
75	12	3	40	66				FC0117C0		
80	16	4	40	69				FC0134C0		
85	16	4	45	74				FC0142C0		
90	16	4	50	79				FC0157C0		
95	16	4	55	84	FC0164C0					
100	16	4	55	89	3.8	3	4	FC0174C0		
105	16	4	60	94				FC0187C0		
106	16	4	60	95				FC0189C0		
110	16	4	60	99				FC0195C0		
112	16	4	65	101				FC0199C0		
118	16	4	70	107				FC0205C0		
120	16	4	70	109				FC0207C0		
125	20	5	75	111				FC0222C0		
130	20	5	80	116				FC0230C0		
132	20	5	85	118				FC0233C1		
140	20	5	90	126	FC0245C1					
150	20	5	100	136	FC0255C1					
160	20	5	110	146	FC0275C0					
170	20	5	120	156	FC0279C0					
180	20	5	130	166	4.8	4	5.5	FC0282C1		
190	20	5	140	176				FC0289C0		
200	20	5	150	186				FC0293C0		
224	20	5	180	210				FC0314C0		
250	20	5	200	236				FC0321C0		
280	20	5	230	266				6.5	7	FC0337C0
300	20	5	250	286						FC0344C1