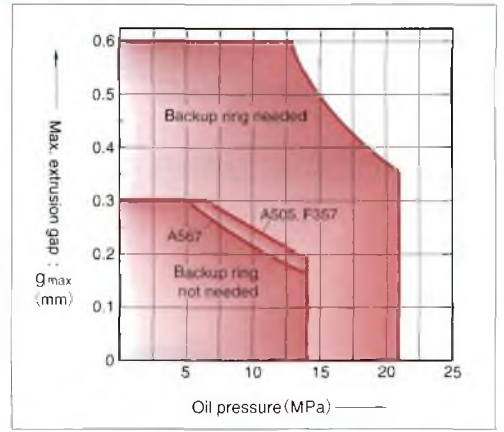
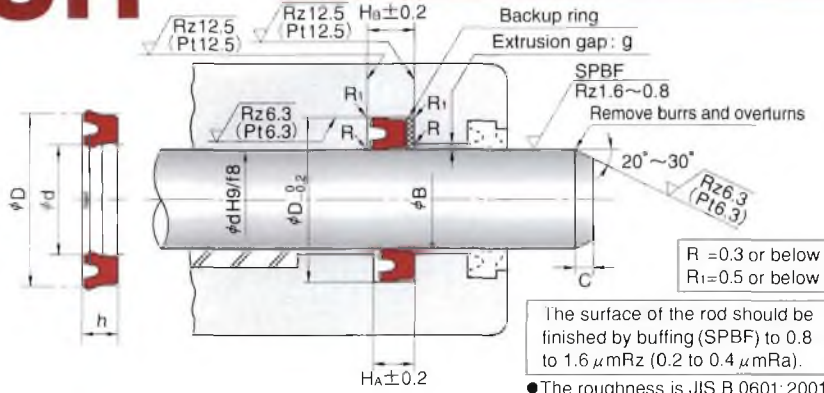




# IUH TYPE SPECIAL PACKINGS FOR ROD SEALS (INSTALLED WITH INTERNAL GROOVE)



## HOW TO DETERMINE B DIMENSION

### ■ When using backup ring

Please determine B dimension according to the table below. If you require larger B dimension because of the cylinder configuration, please consult NOK.

### ■ When not using backup ring

To determine B dimension, please refer to the graph in the right for the maximum extrusion gap (one side) considering the eccentricity of operating condition of the rod.

|                          |                       |                       |
|--------------------------|-----------------------|-----------------------|
| Maximum Service Pressure | 14MPa                 | 21MPa                 |
| Material of Backup ring  | 19YF                  |                       |
| B Dimension              | $B \leq \phi d + 1.0$ | $B \leq \phi d + 0.5$ |

| Nominal Size of Packing, and Housing dimensions |      |          |                |                |     | Packing Part Number |                           | Combination Backup Ring Part Number |          |          |
|-------------------------------------------------|------|----------|----------------|----------------|-----|---------------------|---------------------------|-------------------------------------|----------|----------|
| d                                               | D    | h        | H <sub>A</sub> | H <sub>B</sub> | C   | Standard (A505)     | Heat resistant type(A567) | BRT2(Biascut)<br>19YF               |          |          |
| 14                                              | 22   | 5        | 5.7            | 7.7            | 2.5 | ●CU2692N1           |                           | GN5719V0                            |          |          |
| 16                                              | 24   |          |                |                |     | ●CU2548N0           |                           | GN5720V0                            |          |          |
| 18                                              | 26   |          |                |                |     | CU0180N2            |                           | GN4778V0                            |          |          |
| 20                                              | 28   |          |                |                |     | CU0212N3            | CU0212N5                  | GN4780V0                            |          |          |
| 22.4                                            | 30   |          |                |                |     | CU3488N0            |                           | GN4784V0                            |          |          |
| 25                                              | 33   |          |                |                |     | CU0276N3            | CU0276N5                  | GN5019V1                            |          |          |
| 28                                              | 35.5 |          |                |                |     |                     | 8.7                       | CU0320N0                            |          | GN4791V0 |
| 30                                              | 40   |          |                |                |     |                     |                           | CU0357N3                            | CU0357N5 | GN4794V0 |
| 35                                              | 45   |          |                |                |     |                     |                           | CU0424N3                            | CU0424N5 | GN4799V0 |
| 35.5                                            | 45   |          |                |                |     | 6                   | 7                         | 10                                  | 3        | CU0451N2 |
| 36                                              | 46   | CU3040N0 |                | GN5733V0       |     |                     |                           |                                     |          |          |
| 40                                              | 50   | CU0497N4 | CU0497N6       | GN4050V0       |     |                     |                           |                                     |          |          |
|                                                 | 55   | CU0567N4 | CU0567N6       | GN4804V0       |     |                     |                           |                                     |          |          |
| 45                                              | 56   | CU0572N1 |                | GN4805V0       |     |                     |                           |                                     |          |          |
| 50                                              | 60   | CU0619N3 | CU0619N5       | GN4335V0       |     |                     |                           |                                     |          |          |
| 55                                              | 65   | CU0694N3 | CU0694N5       | GN4810V0       |     |                     |                           |                                     |          |          |
| 56                                              | 66   | CU0722N2 |                | GN4766V0       |     |                     |                           |                                     |          |          |
| 60                                              | 70   | CU0746N3 | CU0746N6       | GN4676V0       |     |                     |                           |                                     |          |          |
| 63                                              | 73   | CU0786N2 |                | GN4814V0       |     |                     |                           |                                     |          |          |
| 65                                              | 75   | 9        | 10             | 13             | 4   | CU0809N2            | CU0809N4                  | GN4816V0                            |          |          |
| 67                                              | 77   |          |                |                |     | CU0828N0            |                           | GN4697V0                            |          |          |
| 70                                              | 85   |          |                |                |     | CU0857N2            | CU0857N3                  | GN4876V0                            |          |          |
| 71                                              | 80   |          |                |                |     | CU0879N0            |                           | GN4818V0                            |          |          |
| 75                                              | 85   |          |                |                |     | CU0901N4            | CU0901N6                  | GN4692V0                            |          |          |
| 80                                              | 90   |          |                |                |     | CU0939N3            | CU0939N4                  | GN4820V0                            |          |          |
| 85                                              | 100  |          |                |                |     | CU0984N1            |                           | GN4687V0                            |          |          |
| 90                                              | 105  |          |                |                |     | CU1024N3            | CU1024N5                  | GN4698V0                            |          |          |
| 95                                              | 110  |          |                |                |     | CU1051N2            | CU1051N5                  | GN4822V0                            |          |          |
| 100                                             | 115  |          |                |                |     | CU1082N3            | CU1082N5                  | GN4512V0                            |          |          |
| 105                                             | 120  | 9        | 10             | 13             | 4   | CU1125N1            | CU1125N2                  | GN5198V0                            |          |          |
| 110                                             | 125  |          |                |                |     | CU1157N3            | CU1157N5                  | GN4480V0                            |          |          |
| 112                                             | 125  |          |                |                |     | CU1178N0            |                           | GN4827V0                            |          |          |
| 115                                             | 130  |          |                |                |     | CU1195N0            | CU1195N1                  | GN4593V0                            |          |          |
| 120                                             | 135  |          |                |                |     | CU1220N3            | CU1220N2                  | GN5036V0                            |          |          |
| 125                                             | 140  |          |                |                |     | CU1252N3            | CU1252N5                  | GN4481V0                            |          |          |
| 130                                             | 145  |          |                |                |     | CU1280N0            | CU1280N1                  | GN4628V1                            |          |          |
| 135                                             | 150  |          |                |                |     | CU2264N2            | CU2264N0                  | GN5025V0                            |          |          |
| 140                                             | 155  |          |                |                |     | CU1323N2            | CU1323N3                  | GN4526V0                            |          |          |
| 145                                             | 160  |          |                |                |     | CU1343N0            |                           | GN4551V0                            |          |          |
| 150                                             | 165  | 12       | 13             | 17             | 5.5 | CU1359N2            | CU1359N4                  | GN4833V0                            |          |          |
| 160                                             | 175  |          |                |                |     | CU1406N1            |                           | GN4835V0                            |          |          |
| 170                                             | 190  |          |                |                |     | CU3494N1            | CU3494N0                  | GN4529V0                            |          |          |
| 180                                             | 200  |          |                |                |     | CU1483N2            | CU1483N3                  | GN4470V0                            |          |          |

Remark 1) Since the mold is utilized, the part number and the product's engraved mark may be different.

Remark 2) When using the packing with ●, provide separate grooves. F-53

F DIMENSION IUH