

# SPN TYPE

SPECIAL PACKINGS  
FOR ROD SEALS  
RAREFLON (PTFE) +  
NITRILE RUBBER (NBR)



F  
DIMEN  
SION  
S  
P  
N

- Please designate NOK Part number and type & size on your order.

(Example) • Type Dimensions

SPN      18   27   4.3

Type Sign

Nominal Size of Packing  
described in order of  
inner diameter(d), outer diameter(D), and height(h)

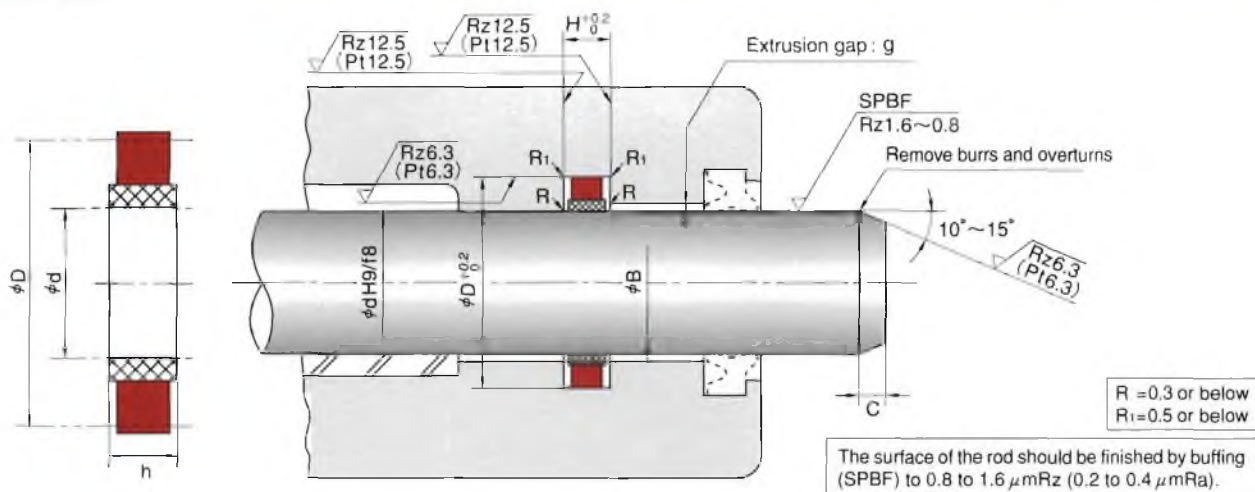
• Part Number

GS2301V0

- Please check the application range on pages 14 and 15 before selecting the type.

<b>Material</b>	NOK 19YF + NOK A980
-----------------	---------------------

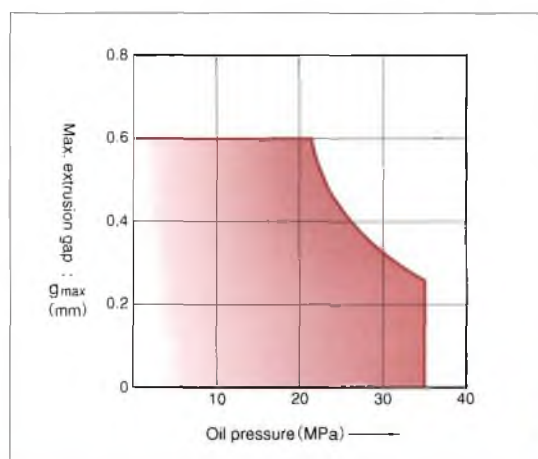
# SPN TYPE SPECIAL PACKINGS FOR ROD SEALS



● The roughness is JIS B 0601 : 2001.  
When regulation length cannot be kept, apply Pt.

## HOW TO DETERMINE B DIMENSION

To determine B dimension, please refer to the graph in the right for the maximum extrusion gap (one side) considering the eccentricity of operating condition of the rod.



Nominal Number	Nominal Size of Packing, and Housing dimensions					NOK Part Number
	d	D	h	H	C	
SPN 18	18	27	4.3	4.5	3.5	●GS2301V0
20	20	29				●GS2302V0
22	22	31				●GS2303V0
27	27	36				●GS2304V0
31.5	31.5	40.5				●GS2305V0
47	47	60	7.3	7.5	4	●GS2306V0
53	53	66				GS2307V0
60	60	73			GS2308V0	
65	65	78			GS2309V0	
70	70	83			GS2310V0	
75	75	88			GS2311V0	
80	80	93			GS2312V0	
90	90	103.4			GS2313V0	
100	100	113.4			GS2314V0	
105	105	118.4			GS2315V0	
110	110	123.4	6.5	5	GS2316V0	
120	120	133.4			GS2317V0	
130	130	143.4			GS2318V0	
140	140	153.4			GS2319V0	

Remarks) When using the packing with ●, provide separate grooves.

F DIMENSION SPN