

IUIS TYPE

SPECIAL PACKINGS
FOR ROD SEALS
IRON RUBBER (AU)



F
DIMEN
SIGN
I
U
I
S

● Please designate NOK Part number and type & size on your order.

(Example) Order for the packing as a single piece

| | | | | | |
|-------------------|--------------|--|-----------|----------|--|
| • Type Dimensions | <u>IUIS</u> | <u>18</u> | <u>26</u> | <u>5</u> | |
| | └─ Type Sign | └─ Nominal Size of Packing described in order of inner diameter(d), outer diameter(D), and height(h) | | | |
| • Part Number | FU0180R0 | | | | |

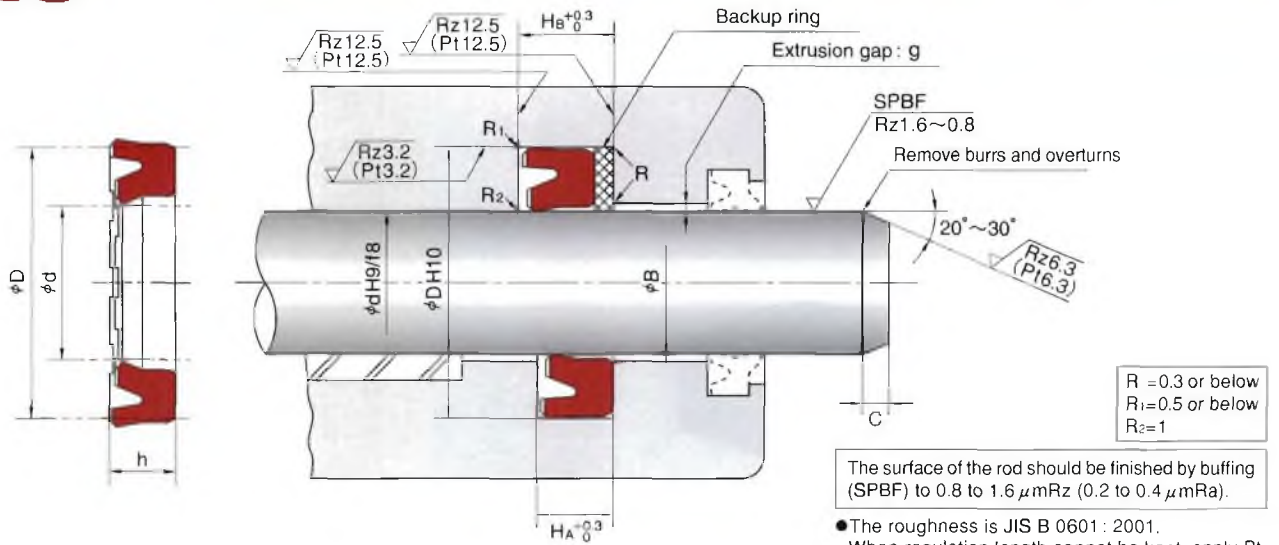
※ When placing orders for backup rings used in combination with packing, designate the NOK part number and the model size.

| | | | | | |
|-------------------|--------------|--|-----------|----------|--|
| • Type Dimensions | <u>BRT2</u> | <u>18</u> | <u>26</u> | <u>2</u> | |
| | └─ Type Sign | └─ Nominal Size of Backup ring described in order of inner diameter(d), outer diameter(D), and thickness(t)* | | | |
| • Part Number | GN4778V0 | | | | * t = H _B - H _A (Housing dimensions) |

● Please check the application range on pages 14 and 15 before selecting the type.

| | |
|-----------------|---|
| Material | Standard : NOK U801 Heat Resistant type : NOK U641 |
|-----------------|---|

IUIS TYPE SPECIAL PACKINGS FOR ROD SEALS (INSTALLED WITH INTERNAL GROOVE)



HOW TO DETERMINE B DIMENSION

■ When using backup ring

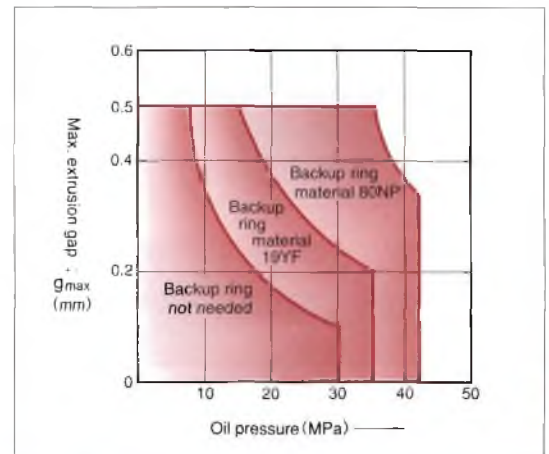
Please determine B dimension according to the table below. If you require larger B dimension because of the cylinder configuration, please consult NOK.

| | | | |
|--------------------------|-----------------------|-----------------------|-----------------------|
| Maximum Service Pressure | 14MPa | 21MPa | 35MPa |
| Material of Backup ring | 19YF | | |
| B Dimension | $B \leq \phi d + 1.0$ | $B \leq \phi d + 0.5$ | $B \leq \phi d + 0.2$ |

| | | |
|--------------------------|-----------------------|-----------------------|
| Maximum Service Pressure | 35MPa | 42MPa |
| Material of Backup ring | 80NP | |
| B Dimension | $B \leq \phi d + 0.8$ | $B \leq \phi d + 0.4$ |

■ When not using backup ring

To determine B dimension, please refer to the graph in the right for the maximum extrusion gap (one side) considering the eccentricity of operating condition of the rod.



| Nominal Size of Packing, and Housing dimensions | | | | | | Packing Part Number | | Combination Backup Ring Part Number | |
|---|------|----|----------------|----------------|-----|---------------------|---------------------------|-------------------------------------|-----------------------|
| d | D | h | H _A | H _B | C | Standard (U801) | Heat resistant type(U641) | BRT2(Biascut) 19YF | BRN2(Biascut) 80NP |
| 18 | 26 | 5 | 5.7 | 7.7 | 2 | FU0180R0 | FU0180R1 | GN4778V0 | GN9106O0 |
| 22.4 | 30 | | | | | FU0260R0 | FU0260R1 | GN4784V0 | GN9112O0 |
| 28 | 35.5 | | | | | FU0320R0 | FU0320R1 | GN4791V0 | GN9119O0 |
| 30 | 40 | | | | | FU0357R0 | FU0357R1 | GN4794V0 | GN9122O0 |
| 35 | 45 | 6 | 7 | 10 | 2.5 | FU0424R1 | FU0424R2 | GN4799V0 | GN9127O0 |
| 35.5 | 45 | | | | | FU0451R0 | FU0451R1 | GN4801V0 | GN9129O0 |
| 40 | 50 | | | | | FU0497R0 | FU0497R1 | GN4050V0 | GN9131O0 |
| 45 | 55 | | | | | FU0567R1 | FU0567R2 | GN4804V0 | GN9133O0 |
| 45 | 56 | | | | | FU0572R0 | FU0572R1 | GN4805V0 | GN9134O0 |
| 50 | 60 | | | | | FU0619R0 | FU0619R1 | GN4335V0 | GN9138O0 |
| 55 | 65 | 6 | 7 | 10 | 2.5 | FU0694R1 | FU0694R2 | GN4810V0 | GN9141O0 |
| 56 | 66 | | | | | FU0722R0 | FU0722R1 | GN4766V0 | GN9143O0 |
| 70 | 80 | | | | | FU0849R1 | FU0849R0 | GN4651V0 | GN9092O0 |
| 80 | 90 | | | | | FU0939R0 | FU0939R1 | GN4820V0 | GN9155O0 |
| 85 | 100 | 9 | 10 | 13 | 4 | FU0984R0 | FU0984R1 | GN4687V0 | GN9091O0 |
| 90 | 105 | | | | | FU1024R0 | FU1024R1 | GN4698V0 | GN9158O0 |
| 95 | 110 | | | | | FU1051R0 | FU1051R1 | GN4822V0 | GN9160O0 |
| 100 | 115 | | | | | FU1082R0 | FU1082R1 | GN4512V0 | GN9163O0 |
| 125 | 140 | | | | | FU1252R0 | FU1252R1 | GN4481V0 | GN9170O0 |
| 140 | 155 | | | | | FU1323R0 | FU1323R1 | GN4526V0 | GN9410O0 |
| 160 | 175 | 12 | 13 | 17 | 5 | FU1406R0 | FU1406R1 | GN4835V0 | GN9180O0 |
| 170 | 185 | | | | | FU1443R2 | FU1443R0 | GN5464V0 | GN9791O0 |
| 175 | 190 | | | | | FU1459R1 | FU1459R0 | GN4839V0 | GN9185O0 |
| 180 | 200 | | | | | FU1483R0 | FU1483R1 | GN4470V0 | GN9187O0 |