

ISI TYPE

SPECIAL PACKINGS
FOR ROD SEALS
IRON RUBBER (AU)



● Please designate NOK Part number and type & size on your order.

(Example) Order for the packing as a single piece

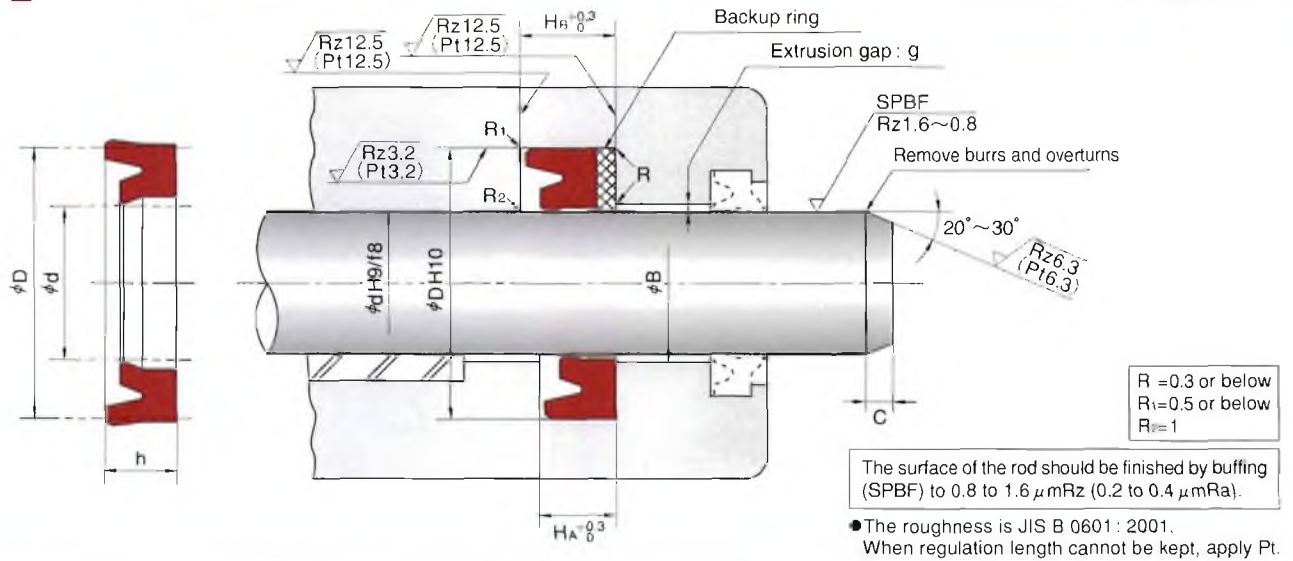
• Type Dimensions	ISI	18	26	5	
	└─ Type Sign		└─ Nominal Size of Packing		
					described in order of
					inner diameter(d), outer diameter(D), and height(h)
• Part Number	FU0180K0				

※ When placing orders for backup rings used in combination with packing, designate the NOK part number and the model size.

• Type Dimensions	BRT2	18	26	2	
	└─ Type Sign		└─ Nominal Size of Backup ring		
					described in order of
					inner diameter(d), outer diameter(D), and thickness(t)*
• Part Number	GN4778V0				
					* t = H _B - H _A (Housing dimensions)

● Please check the application range on pages 14 and 15 before selecting the type.

Material	Standard : NOK U801 Heat Resistant type : NOK U641
-----------------	---



Nominal Size of Packing, and Housing dimensions						Packing Part Number		Combination Backup Ring Part Number		
d	D	h	H _A	H _B	C	Standard (U801)	Heat resistant type (U641)	BRT2 (Biascut) 19YF	BRN2 (Biascut) 80NP	
18	26	5	5.7	7.7	2	FU0180K0	FU0180K2	GN4778V0	GN9106O0	
20	28	5				FU0212K0	FU0212K1	GN4780V0	GN9108O0	
22.4	30	5				FU0260K0	FU0260K1	GN4784V0	GN9112O0	
	30.4	5				FU0261K0	FU0261K1	GN5714V0	GN9785O0	
23.5	31.5	5				FU0267K0	FU0267K1	GN4786V0	GN9114O0	
25	33	5				FU0276K0	FU0276K2	GN5019V1	GN9786O0	
	35	5				FU0278K0	FU0278K2	GN4787V0	GN9115O0	
28	35.5	5				FU0320K0	FU0320K1	GN4791V0	GN9119O0	
	36	5				FU0321K0	FU0321K1	GN5715V0	GN9787O0	
30	40	6				FU0357K0	FU0357K3	GN4794V0	GN9122O0	
31.5	41.5	6	FU0382K0	FU0382K1	GN4796V0	GN9124O0				
35	45	6	FU0424K0	FU0424K7	GN4799V0	GN9127O0				
35.5	45	6	7	10	2.5	FU0451K0	FU0451K1	GN4801V0	GN9129O0	
	45.5	6				FU0452K0	FU0452K1	GN5716V0	GN9788O0	
40	50	6				FU0497K0	FU0497K5	GN4050V0	GN9131O0	
45	55	6				FU0567K0	FU0567K6	GN4804V0	GN9133O0	
	56	7				FU0572K0	FU0572K1	GN4805V0	GN9134O0	
50	60	6				FU0619K0	FU0619K3	GN4335V0	GN9138O0	
53	63	6				FU0679K0	FU0679K2	GN4693V0	GN9140O0	
55	65	6				FU0694K0	FU0694K2	GN4810V0	GN9141O0	
56	66	6				FU0722K0	FU0722K1	GN4766V0	GN9143O0	
60	70	6				FU0746K0	FU0746K5	GN4676V0	GN9144O0	
	71	7	8	11	FU0750K0	FU0750K1	GN4812V0	GN9145O0		
63	73	6	FU0786K0	FU0786K3	GN4814V0	GN9147O0				
65	75	6	FU0809K0	FU0809K1	GN4816V0	GN9149O0				
67	77	6	FU0828K0	FU0828K1	GN4697V0	GN9150O0				
70	80	6	7	10	FU0849K0	FU0849K5	GN4651V0	GN9092O0		
	71	6			FU0880K0	FU0880K1	GN4819V0	GN9153O0		
75	85	6			FU0901K0	FU0901K1	GN4692V0	GN9241O0		
80	90	6			FU0939K0	FU0939K1	GN4820V0	GN9155O0		
85	100	9			FU0984K0	FU0984K2	GN4687V0	GN9091O0		
90	105	9			10	13	FU1024K0	FU1024K3	GN4698V0	GN9158O0
95	110	9			FU1051K0	FU1051K2	GN4822V0	GN9160O0		
98	112	8.5			9.5	12.5	FU1067K0	FU1067K1	GN4824V0	GN9162O0
100	115	9			10	13	FU1082K0	FU1082K1	GN4512V0	GN9163O0
105	120	9			10	13	FU1125K0	FU1125K1	GN5198V0	GN9589O0
106	120	8.5	9.5	12.5			FU1135K0	FU1135K1	GN4826V0	GN9166O0
	121	9	FU1136K0	FU1136K1			GN5717V0	GN9789O0		
110	125	9	FU1157K0	FU1157K2			GN4480V0	GN9430O0		
112	125	9	FU1179K0	FU1179K1			GN4827V0	GN9167O0		
115	130	9	FU1195K0	FU1195K2			GN4593V0	GN9274O0		

HOW TO DETERMINE B DIMENSION

■ When using backup ring

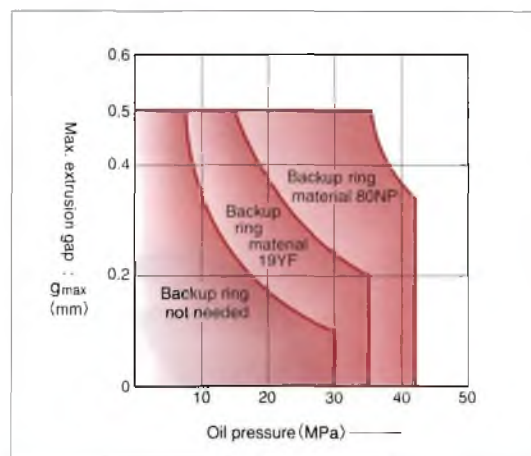
Please determine B dimension according to the table below. If you require larger B dimension because of the cylinder configuration, please consult NOK.

Maximum Service Pressure	14MPa	21MPa	35MPa
Material of Backup ring	19YF		
B Dimension	$B \leq \phi d + 1.0$	$B \leq \phi d + 0.5$	$B \leq \phi d + 0.2$

Maximum Service Pressure	35MPa	42MPa
Material of Backup ring	80NP	
B Dimension	$B \leq \phi d + 0.8$	$B \leq \phi d + 0.4$

■ When not using backup ring

To determine B dimension, please refer to the graph in the right for the maximum extrusion gap (one side) considering the eccentricity of operating condition of the rod.



Nominal Size of Packing, and Housing dimensions						Packing Part Number		Combination Backup Ring Part Number			
						Standard (U801)	Heat resistant type(U641)	BRT2(Biascut) 19YF	BRN2(Biascut) 80NP		
d	D	h	H _A	H _B	C						
118	133	9	10	13	4	FU1205K0	FU1205K1	GN5718V0	GN9790O0		
120	135	9				FU1220K0	FU1220K1	GN5036V0	GN9679O0		
125	140	9				FU1252K0	FU1252K1	GN4481V0	GN9170O0		
130	145	9				FU1280K0	FU1280K1	GN4628V1	GN9742O1		
136	150	8.5	9.5	12.5	4	FU1306K0	FU1306K1	GN4830V0	GN9173O0		
140	155	9	10	13		FU1323K0	FU1323K2	GN4526V0	GN9410O0		
145	160	9				FU1343K0	FU1343K1	GN4551V0	GN9175O0		
150	165	9				FU1359K0	FU1359K1	GN4833V0	GN9177O0		
155	170	9				FU1388K0	FU1388K2	GN4834V0	GN9178O0		
160	175	9				FU1406K0	FU1406K1	GN4835V0	GN9180O0		
165	180	9				FU1429K0	FU1429K1	GN4836V0	GN9182O0		
170	185	9				FU1443K0	FU1443K2	GN5464V0	GN9791O0		
175	190	9				FU1459K0	FU1459K1	GN4839V0	GN9185O0		
180	200	12				13	17	FU1483K0	FU1483K1	GN4470V0	GN9187O0
190	210	12						FU1516K0	FU1516K1	GN4841V0	GN9190O0
200	220	12	FU1543K0	FU1543K1	GN4385V0			GN9191O0			
204	224	12	FU1563K0	FU1563K1	GN4842V0			GN9193O0			
210	230	12	FU1575K0	FU1575K1	GN4627V0			GN9195O0			
220	240	12	FU1596K0	FU1596K1	GN4444V0			GN9196O0			
225	245	12	FU1621K0	FU1621K1	GN4844V0			GN9197O0			
230	250	12	FU1637K0	FU1637K1	GN4635V0			GN9047O0			
240	260	12	FU1657K0	FU1657K1	GN4845V0			GN9198O0			
250	270	12	FU1678K0	FU1678K1	GN4459V0			GN9199O0			
260	285	16	17	21	FU1704K0	FU1704K1	GN4847V0	GN9202O0			
270	295	16			FU1720K0	FU1720K1	GN4850V0	GN9205O0			
280	305	16			FU1733K0	FU1733K1	GN4410V0	GN9208O0			
290	315	16			FU1748K0	FU1748K1	GN4854V0	GN9210O0			
300	325	16			FU1762K0	FU1762K1	GN4855V0	GN9211O0			

