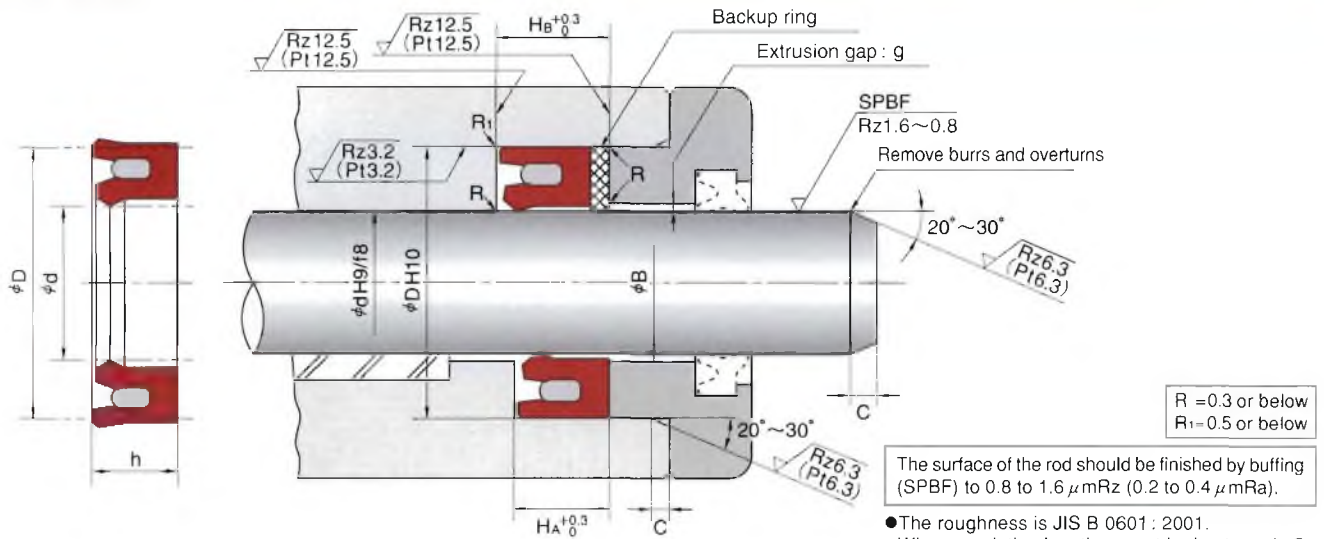




# UNI TYPE SPECIAL PACKINGS FOR ROD SEALS



## HOW TO DETERMINE B DIMENSION

### When using backup ring

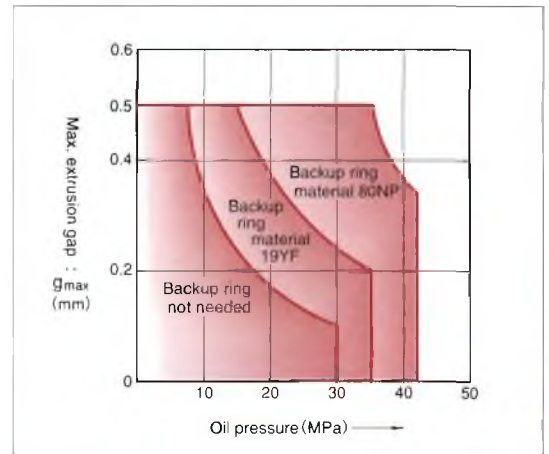
Please determine B dimension according to the table below. If you require larger B dimension because of the cylinder configuration, please consult NOK.

Maximum Service Pressure	14MPa	21MPa	35MPa
Material of Backup ring	19YF		
B Dimension	$B \leq \phi d + 1.0$	$B \leq \phi d + 0.5$	$B \leq \phi d + 0.2$

Maximum Service Pressure	35MPa	42MPa
Material of Backup ring	80NP	
B Dimension	$B \leq \phi d + 0.8$	$B \leq \phi d + 0.4$

### When not using backup ring

To determine B dimension, please refer to the graph in the right for the maximum extrusion gap (one side) considering the eccentricity of operating condition of the rod.



Nominal Size of Packing, and Housing dimensions						Packing Part Number	Combination Backup Ring Part Number	
d	D	h	$H_A$	$H_B$	C		BRT3(Endless)	BRN3(Endless)
							19YF	80NP
40	50	7	8	11	4	FU2002M1	GN6465V0	GN9131O1
45	55					FU0568M1	GN6467V0	GN9133O1
50	63					FU1925M1	GN7285V0	GN9861O0
55	68					FU1995M1	GN7286V0	GN9862O0
60	73					FU2097M1	GN7287V0	GN9863O0
65	78	10	11	14	5	FU2074M1	GN6798V0	GN9864O0
70	83					FU2088M1	GN6556V0	GN9865O0
75	88					FU2227M1	GN6558V0	GN9866O0
80	93					FU2107M1	GN6557V0	GN9867O0
85	105					FU0990M1	GN0932V0	GN9157O1
90	110	15	16	19	5	FU1031M1	GN0939V0	GN9159O1
100	120					FU1091M1	GN0952V0	GN9164O1
110	130					FU1165M1	GN6790V0	GN9694O0
120	140					FU1224M1	GN0982V0	GN9169O1
130	150					FU1285M1	GN6925V0	GN9335O1
140	165	19	20	23	6.5	FU1332M1	GN6494V0	GN9174O1