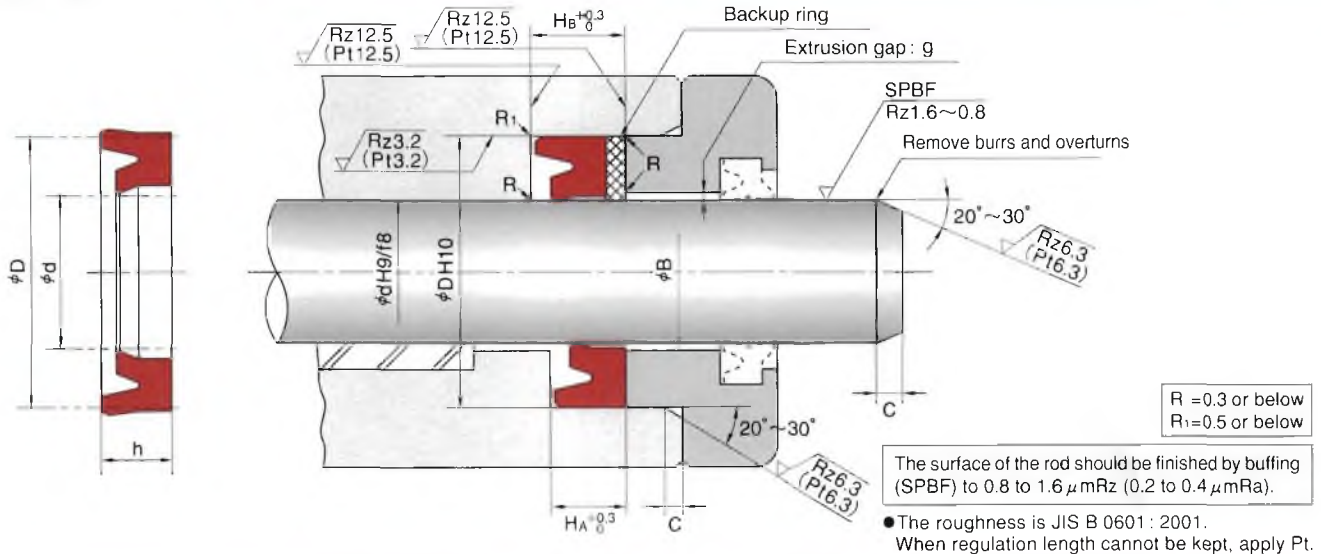


IDI TYPE SPECIAL PACKINGS FOR ROD SEALS



● The roughness is JIS B 0601: 2001.
When regulation length cannot be kept, apply Pt.

Nominal Size of Packing, and Housing dimensions						Packing Part Number	Combination Backup Ring Part Number	
d	D	h	H _A	H _B	C		BRT3(Endless)	BRN3(Endless)
							19YF	80NP
6.3	14.3	5	5.7	7.7	2.5	*FU0021F0	GN7259V0	GN9822O0
	16.3	6	7	9		*FU0022F0	GN0720V0	GN9823O0
	16.3	7.5	8.5	10.5		FU0023F0	GN0720V0	GN9823O0
	16.3	8	9	11		FU0024F0	GN0720V0	GN9823O0
8	16	5	5.7	7.7		*FU0039F0	GN7260V0	GN9824O0
	18	6	7	9		*FU0041F0	GN0725V0	GN9101O1
	18	7.5	8.5	10.5		FU0042F0	GN0725V0	GN9101O1
	18	8	9	11		FU0043F0	GN0725V0	GN9101O1
9	17	5	5.7	7.7		*FU0051F0	GN7261V0	GN9825O0
	19	6	7	9		*FU0052F0	GN0728V0	GN9826O0
	19	7.5	8.5	10.5		FU0053F0	GN0728V0	GN9826O0
	19	8	9	11		FU0054F0	GN0728V0	GN9826O0
10	18	5	5.7	7.7		*FU0064F0	GN7262V0	GN9827O0
	20	6	7	9		*FU0066F0	GN0733V0	GN9102O1
	20	7.5	8.5	10.5		FU0068F0	GN0733V0	GN9102O1
	20	8	9	11		FU0069F0	GN0733V0	GN9102O1
11.2	19.2	5	5.7	7.7		*FU0078F0	GN7236V0	GN9792O0
	21.2	6	7	9		*FU0079F0	GN0736V0	GN9828O0
	21.2	7.5	8.5	10.5		FU0080F0	GN0736V0	GN9828O0
	21.2	8	9	11		FU0081F0	GN0736V0	GN9828O0
12.5	20.5	5	5.7	7.7	*FU0098F0	GN7263V0	GN9829O0	
	22.5	6	7	9	*FU0100F0	GN0741V0	GN9830O0	
	22.5	7.5	8.5	10.5	FU0101F0	GN0741V0	GN9830O0	
	22.5	8	9	11	FU0102F0	GN0741V0	GN9830O0	
14	22	5	5.7	7.7	*FU0116F0	GN7238V0	GN9794O0	
	24	6	7	9	*FU0120F0	GN0745V0	GN9103O1	
	24	7.5	8.5	10.5	FU0121F0	GN0745V0	GN9103O1	
	24	8	9	11	FU0122F0	GN0745V0	GN9103O1	
15	23	5	5.7	7.7	*FU0131F0	GN7264V0	GN9831O0	
	25	6	7	9	*FU0134F0	GN0749V0	GN9738O1	
	25	8	9	11	FU0135F0	GN0749V0	GN9738O1	
	28	8	9	11	FU0136F0	GN6445V0	GN9104O1	
16	24	5	5.7	7.7	*FU0150F0	GN7265V0	GN9832O0	
	26	6	7	9	*FU0155F0	GN0751V0	GN9105O1	
	26	7.5	8.5	10.5	FU0156F0	GN0751V0	GN9105O1	
	26	8	9	11	FU0157F0	GN0751V0	GN9105O1	
18	28	6	7	9	*FU0181F0	GN0757V0	GN9833O0	
	28	8	9	11	FU0182F0	GN0757V0	GN9833O0	
	31	8	9	11	FU0185F0	GN6446V0	GN9107O1	
	31	10	11	13	FU0186F0	GN6446V0	GN9107O1	

* Marked size : The pressure resistance limit conforms to the ISI type.

F DIMENSION IDI

HOW TO DETERMINE B DIMENSION

■ When using backup ring

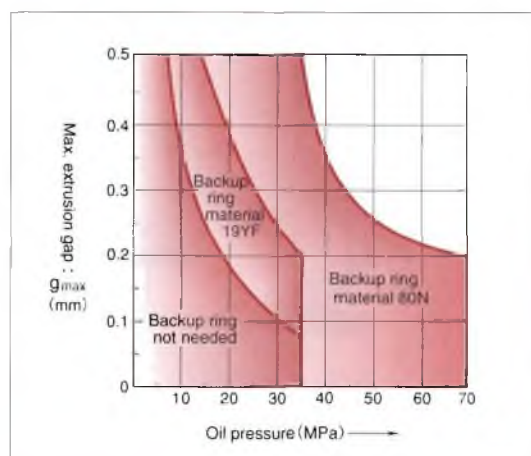
Please determine B dimension according to the table below. If you require larger B dimension because of the cylinder configuration, please consult NOK.

Maximum Service Pressure	14MPa	21MPa	35MPa
Material of Backup ring	19YF		
B Dimension	$B \leq \phi d + 1.0$	$B \leq \phi d + 0.5$	$B \leq \phi d + 0.2$

Maximum Service Pressure	35MPa	42MPa	70MPa
Material of Backup ring	80NP		
B Dimension	$B \leq \phi d + 0.8$	$B \leq \phi d + 0.4$	$B \leq \phi d + 0.2$

■ When not using backup ring

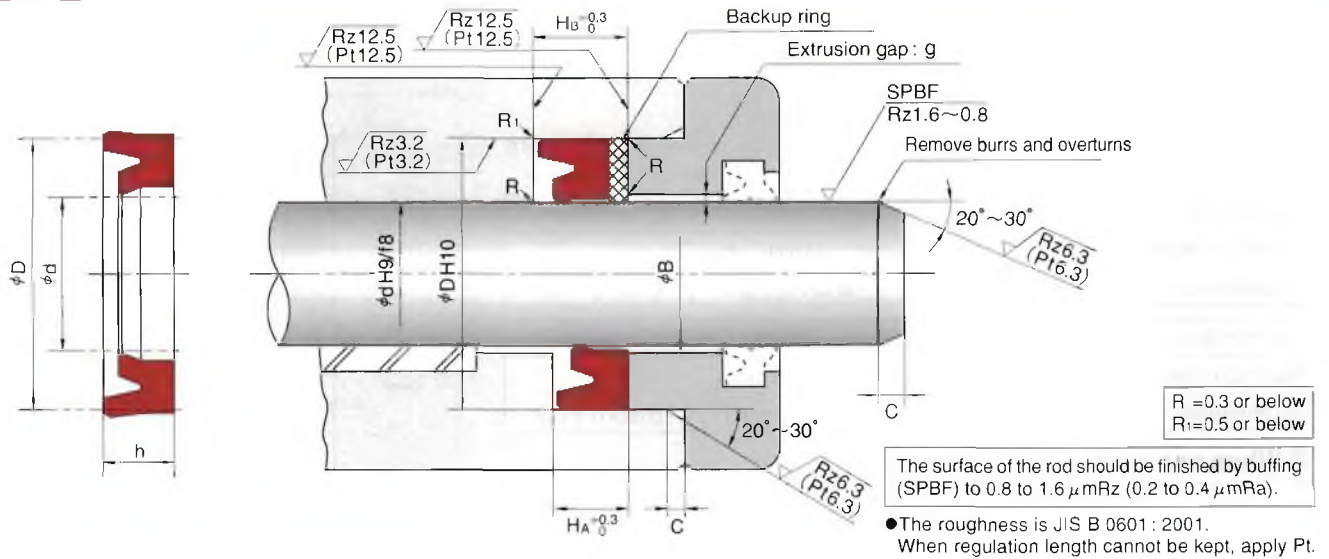
To determine B dimension, please refer to the graph in the right for the maximum extrusion gap (one side) considering the eccentricity of operating condition of the rod.



Nominal Size of Packing, and Housing dimensions						Packing Part Number	Combination Backup Ring Part Number	
d	D	h	H _A	H _B	C		BRT3(Endless) 19YF	BRN3(Endless) 80NP
20	30	6	7	9	3.5	*FU0214F0	GN0762V0	GN9109O1
	30	8	9	11		FU0215F0	GN0762V0	GN9109O1
	33	8	9	11		FU0220F0	GN6448V0	GN9110O1
	33	10	11	13		FU0221F0	GN6448V0	GN9110O1
22	35	10	11	13		FU0249F0	GN6449V0	GN9111O1
22.4	32.4	6	7	9		*FU0262F0	GN0771V0	GN9834O0
	32.4	8	9	11		FU0263F0	GN0771V0	GN9834O0
	35.4	8	9	11		FU0264F0	GN6017V0	GN9798O0
	35.4	10	11	13		FU0265F0	GN6017V0	GN9798O0
25	35	6	7	9		*FU0279F0	GN0781V0	GN9115O1
	35	8	9	11		FU0282F0	GN0781V0	GN9115O1
	38	8	9	11		FU0287F0	GN6453V0	GN9116O1
	38	10	11	13	FU0288F0	GN6453V0	GN9116O1	
	40	9	10	12	FU0291F0	GN6591V0	GN9800O0	
	40	10	11	13	FU0292F0	GN6591V0	GN9800O0	
27	40	10	11	14	FU2130F0	GN6455V0	GN9118O1	
28	38	6	7	10	*FU0322F0	GN7268V0	GN9835O0	
	38	8	9	12	FU0323F0	GN7268V0	GN9835O0	
	41	8	9	12	FU0334F0	GN6458V0	GN9121O1	
	41	10	11	14	FU0335F0	GN6458V0	GN9121O1	
	43	9	10	13	FU0339F0	GN0791V0	GN9836O0	
	43	10	11	14	FU0340F0	GN0791V0	GN9836O0	
30	40	8	9	12	FU0359F0	GN6361V0	GN9122O1	
	43	10	11	14	FU0364F0	GN6459V0	GN9123O1	
	45	9	10	13	FU0367F0	GN7061V0	GN9801O0	
	45	10	11	14	FU0368F0	GN7061V0	GN9801O0	
	31.5	41.5	8	9	12	FU0383F0	GN6460V0	GN9124O1
31.5	44.5	8	9	12	FU0384F0	GN6461V0	GN9125O1	
	44.5	10	11	14	FU0385F0	GN6461V0	GN9125O1	
	46.5	9	10	13	FU0386F0	GN0805V0	GN9837O0	
	46.5	10	11	14	FU0387F0	GN0805V0	GN9837O0	
	34	50	12	13	16	FU0408F0	GN6462V0	GN9126O1
	35	45	8	9	12	FU0427F0	GN6463V0	GN9127O1
50		9	10	13	FU0436F0	GN0816V0	GN9128O1	
50		10	11	14	FU0437F0	GN0816V0	GN9128O1	
50		12	13	16	FU0438F0	GN0816V0	GN9128O1	
35.5	45.5	8	9	12	FU0453F0	GN7271V0	GN9788O1	
	50.5	9	10	13	FU0455F0	GN0820V0	GN9954O0	
	50.5	10	11	14	FU0456F0	GN0820V0	GN9954O0	
	51.5	10	11	14	FU0457F0	GN6330V0	GN9130O1	
	51.5	12	13	16	FU0458F0	GN6330V0	GN9130O1	

* Marked size : The pressure resistance limit conforms to the ISI type.

IDI TYPE SPECIAL PACKINGS FOR ROD SEALS



Nominal Size of Packing, and Housing dimensions						Packing Part Number	Combination Backup Ring Part Number	
d	D	h	H _A	H _B	C		BRT3(Endless)	BRN3(Endless)
							19YF	80NP
40	50	8	9	12	4	FU0498F0	GN6465V0	GN9131O1
	55	9	10	13		FU0504F0	GN6759V0	GN9948O0
	55	10	11	14		FU0505F0	GN6759V0	GN9948O0
	56	10	11	14		FU0508F0	GN6466V0	GN9132O1
45	56	12	13	16	FU0509F0	GN6466V0	GN9132O1	
	55	8	9	12	FU0569F0	GN6467V0	GN9133O1	
	60	9	10	13	FU0575F0	GN0845V0	GN9950O0	
	60	10	11	14	FU0577F0	GN0845V0	GN9950O0	
47	61	10	11	14	FU0579F0	GN6469V0	GN9135O1	
	61	12	13	16	FU0580F0	GN6469V0	GN9135O1	
	63	12	13	16	FU0591F0	GN6471V0	GN9137O1	
	50	60	8	9	12	FU0620F0	GN6302V0	GN9138O1
65		9	10	13	FU0630F0	GN6439V0	GN9952O0	
65		10	11	14	FU0631F0	GN6439V0	GN9952O0	
66		10	11	14	FU0634F0	GN6329V0	GN9139O1	
53	66	12	13	16	FU0635F0	GN6329V0	GN9139O1	
	70	12	13	16	FU0639F0	GN6592V0	GN9529O0	
	69	12	13	16	FU0682F0	GN7008V0	GN9803O0	
	55	65	8	9	12	FU0696F0	GN6472V0	GN9141O1
70		9	10	13	FU0700F0	GN6408V0	GN9804O0	
70		10	11	14	FU0701F0	GN6408V0	GN9804O0	
71		10	11	14	FU0703F0	GN6473V0	GN9142O1	
56	71	12	13	16	FU0704F0	GN6473V0	GN9142O1	
	75	12	13	16	FU0708F0	GN7249V0	GN9807O0	
	66	8	9	12	FU0723F0	GN6474V0	GN9143O1	
	71	9	10	13	FU0724F0	GN7247V0	GN9806O0	
60	71	10	11	14	FU0725F0	GN7247V0	GN9806O0	
	72	10	11	14	FU0726F0	GN7009V0	GN9838O0	
	72	12	13	16	FU0727F0	GN7009V0	GN9838O0	
	76	12	13	16	FU0728F0	GN0877V0	GN9839O0	
63	70	8	9	12	FU0747F0	GN6444V0	GN9144O1	
	75	9	10	13	FU0753F0	GN6363V0	GN9808O0	
	75	10	11	14	FU0754F0	GN6363V0	GN9808O0	
	76	10	11	14	FU0756F0	GN6476V0	GN9146O1	
63	76	12	13	16	FU0757F0	GN6476V0	GN9146O1	
	80	12	13	16	FU0761F0	GN0886V1	GN9953O0	
	78	8	9	12	FU0787F0	GN6477V0	GN9147O1	
	78	9	10	13	FU0788F0	GN6304V0	GN9840O0	
63	78	10	11	14	FU0789F0	GN6304V0	GN9840O0	
	79	10	11	14	FU0790F0	GN7010V0	GN9841O0	
	79	12	13	16	FU0791F0	GN7010V0	GN9841O0	
	83	12	13	16	FU0793F0	GN0893V1	GN9842O0	

F DIMENSION IDI

HOW TO DETERMINE B DIMENSION

■ When using backup ring

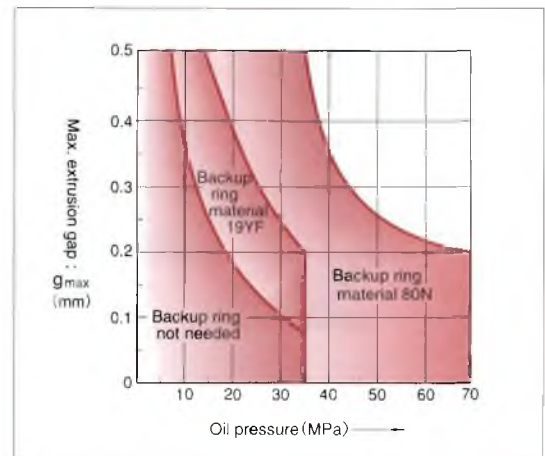
Please determine B dimension according to the table below. If you require larger B dimension because of the cylinder configuration, please consult NOK.

Maximum Service Pressure	14MPa	21MPa	35MPa
Material of Backup ring	19YF		
B Dimension	$B \leq \phi d + 1.0$	$B \leq \phi d + 0.5$	$B \leq \phi d + 0.2$

Maximum Service Pressure	35MPa	42MPa	70MPa
Material of Backup ring	80NP		
B Dimension	$B \leq \phi d + 0.8$	$B \leq \phi d + 0.4$	$B \leq \phi d + 0.2$

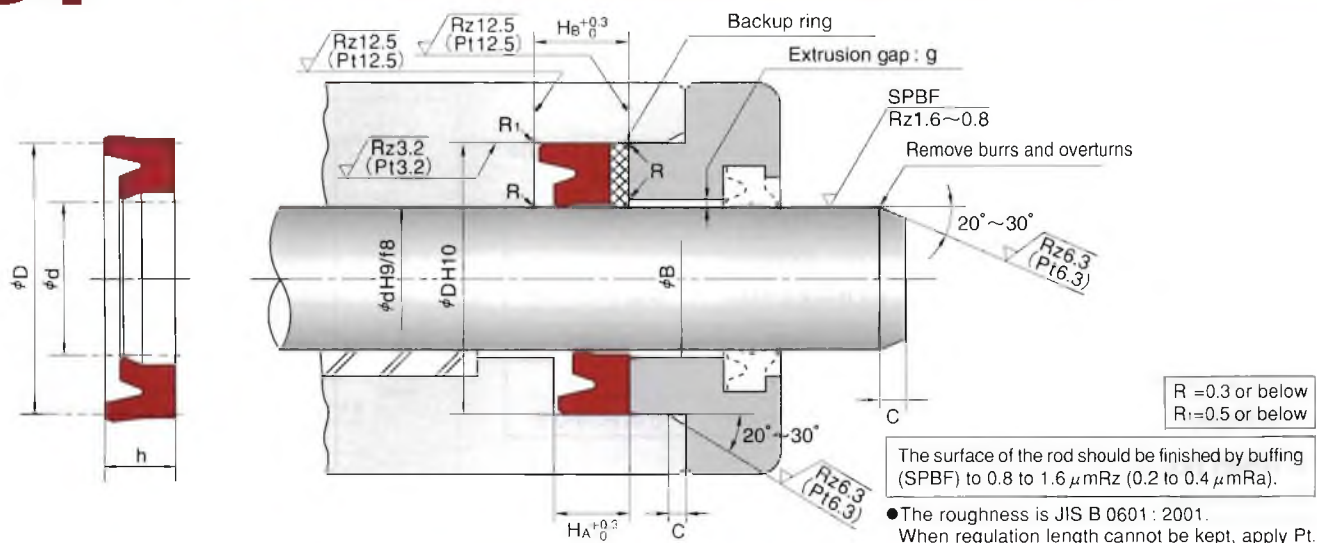
■ When not using backup ring

To determine B dimension, please refer to the graph in the right for the maximum extrusion gap (one side) considering the eccentricity of operating condition of the rod.



Nominal Size of Packing, and Housing dimensions						Packing Part Number	Combination Backup Ring Part Number	
d	D	h	H _A	H _B	C		BRT3(Endless)	BRN3(Endless)
							19YF	80NP
64	80	12	13	16	4	FU2131F0	GN6478V0	GN9148O1
65	75	8	9	12		FU0810F0	GN6479V0	GN9149O1
	80	9	10	13		FU0815F0	GN6364V0	GN9754O1
	80	12	13	16		FU0816F0	GN6364V0	GN9754O1
	85	12	13	16		FU0819F0	GN0899V0	GN9810O0
67	82	9	10	13		FU0830F0	GN7273V0	GN9843O0
	87	15	16	19		FU0832F0	GN0904V0	GN9844O0
70	80	8	9	12		FU0850F0	GN6362V1	GN9092O1
	85	9	10	13		FU0857F0	GN6442V0	GN9411O0
	85	10	11	14		FU0858F0	GN6442V0	GN9411O0
	90	12	13	16		FU0862F0	GN0910V0	GN9151O1
71	90	15	16	19		FU0864F0	GN0910V0	GN9151O1
	81	8	9	12		FU0881F0	GN6482V0	GN9153O1
	86	9	10	13		FU0882F0	GN6603V0	GN9845O0
	86	10	11	14		FU0883F0	GN6603V0	GN9845O0
	91	12	13	16		FU0884F0	GN0914V0	GN9846O0
75	91	15	16	19		FU0885F0	GN0914V0	GN9846O0
	85	8	9	12		FU0903F0	GN6729V0	GN9241O1
	90	9	10	13		FU0906F0	GN6443V0	GN9757O1
	90	10	11	14		FU0907F0	GN6443V0	GN9757O1
	95	12	13	16	FU0910F0	GN0920V0	GN9154O1	
80	95	15	16	19	FU0911F0	GN0920V0	GN9154O1	
	90	8	9	12	FU0940F0	GN6483V0	GN9155O1	
	95	9	10	13	FU0942F0	GN6898V0	GN9582O0	
	95	10	11	14	FU0943F0	GN6898V0	GN9582O0	
	100	12	13	16	FU0948F0	GN0927V0	GN9156O1	
	100	15	16	19	FU0949F0	GN0927V0	GN9156O1	
85	100	10	11	14	FU0985F0	GN6484V0	GN9091O1	
	105	12	13	16	FU0989F0	GN0932V0	GN9157O1	
	105	15	16	19	FU0990F0	GN0932V0	GN9157O1	
90	105	10	11	14	FU1025F0	GN6485V0	GN9158O1	
	110	12	13	16	FU1030F1	GN0939V0	GN9159O1	
	110	15	16	19	FU1031F0	GN0939V0	GN9159O1	
95	110	10	11	14	FU1052F0	GN6486V0	GN9160O1	
	115	12	13	16	FU1056F0	GN0945V0	GN9161O1	
	115	15	16	19	FU1057F0	GN0945V0	GN9161O1	

IDI TYPE SPECIAL PACKINGS FOR ROD SEALS



Nominal Size of Packing, and Housing dimensions						Packing Part Number	Combination Backup Ring Part Number	
d	D	h	H _A	H _B	C		BRT3(Endless) 19YF	BRN3(Endless) 80NP
100	115	10	11	14	5	FU1083F0	GN6488V0	GN9163O1
	120	12	13	16		FU1089F0	GN0952V0	GN9164O1
	120	15	16	19		FU1091F0	GN0952V0	GN9164O1
105	120	10	11	14		FU1126F0	GN6684V0	GN9589O1
	125	15	16	19		FU1129F0	GN0959V0	GN9165O1
	125	16	17	20		FU1130F0	GN0959V0	GN9165O1
106	121	10	11	14		FU1137F0	GN7274V0	GN9789O1
	126	15	16	19		FU1138F0	GN0961V0	GN9847O0
	126	16	17	20		FU1139F0	GN0961V0	GN9847O0
110	125	10	11	14		FU1158F0	GN6761V0	GN9430O1
	130	15	16	19		FU1165F0	GN6790V0	GN9694O0
	130	16	17	20		FU1166F0	GN6790V0	GN9694O0
112	127	9	10	13		FU1180F0	GN7275V0	GN9848O0
	127	10	11	14		FU1181F0	GN7275V0	GN9848O0
	132	15	16	19		FU1182F0	GN0970V0	GN9168O1
	132	16	17	20		FU1183F0	GN0970V0	GN9168O1
118	133	10	11	14		FU1206F0	GN7276V0	GN9790O1
	138	15	16	19		FU1207F0	GN0978V0	GN9849O0
	138	16	17	20	FU1208F0	GN0978V0	GN9849O0	
120	135	10	11	14	FU1221F0	GN6374V0	GN9768O0	
	140	15	16	19	FU1224F0	GN0982V0	GN9169O1	
	140	16	17	20	FU1225F0	GN0982V0	GN9169O1	
125	140	10	11	14	FU1253F0	GN6491V0	GN9170O1	
	145	12	13	16	FU1256F0	GN0986V0	GN9850O0	
	145	16	17	20	FU1258F0	GN0986V0	GN9850O0	
	150	19	20	23	FU2132F0	GN6135V0	GN9171O1	
	150	20	21	24	FU1260F0	GN6135V0	GN9171O1	
130	145	10	11	14	FU1281F0	GN6954V0	GN9742O0	
	150	12	13	16	FU1283F0	GN6925V0	GN9335O1	
	150	16	17	20	FU1285F0	GN6925V0	GN9335O1	
132	157	20	21	24	FU1295F0	GN7013V0	GN9813O0	
135	160	19	20	23	FU2133F0	GN6492V0	GN9172O1	
	160	20	21	24	FU2179F0	GN6492V0	GN9172O1	
140	155	10	11	14	FU1324F0	GN6728V1	GN9410O1	
	160	12	13	16	FU1325F0	GN1002V0	GN9668O0	
	160	16	17	20	FU1328F0	GN1002V0	GN9668O0	
	165	19	20	23	FU1332F0	GN6494V0	GN9174O1	
	165	20	21	24	FU1333F0	GN6494V0	GN9174O1	
145	170	19	20	23	FU2134F0	GN6496V0	GN9176O1	
	170	20	21	24	FU2180F0	GN6496V0	GN9176O1	

HOW TO DETERMINE B DIMENSION

■ When using backup ring

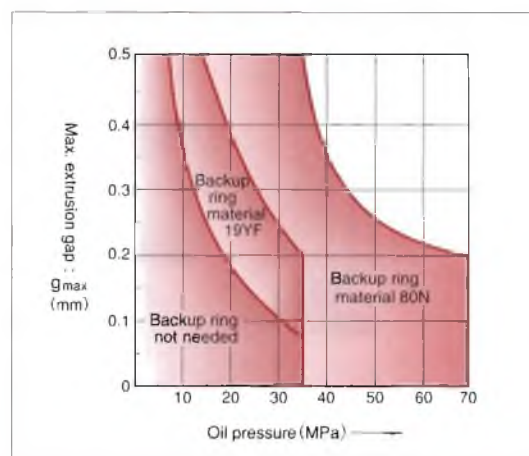
Please determine B dimension according to the table below. If you require larger B dimension because of the cylinder configuration, please consult NOK.

Maximum Service Pressure	14MPa	21MPa	35MPa
Material of Backup ring	19YF		
B Dimension	$B \leq \phi d + 1.0$	$B \leq \phi d + 0.5$	$B \leq \phi d + 0.2$

Maximum Service Pressure	35MPa	42MPa	70MPa
Material of Backup ring	80NP		
B Dimension	$B \leq \phi d + 0.8$	$B \leq \phi d + 0.4$	$B \leq \phi d + 0.2$

■ When not using backup ring

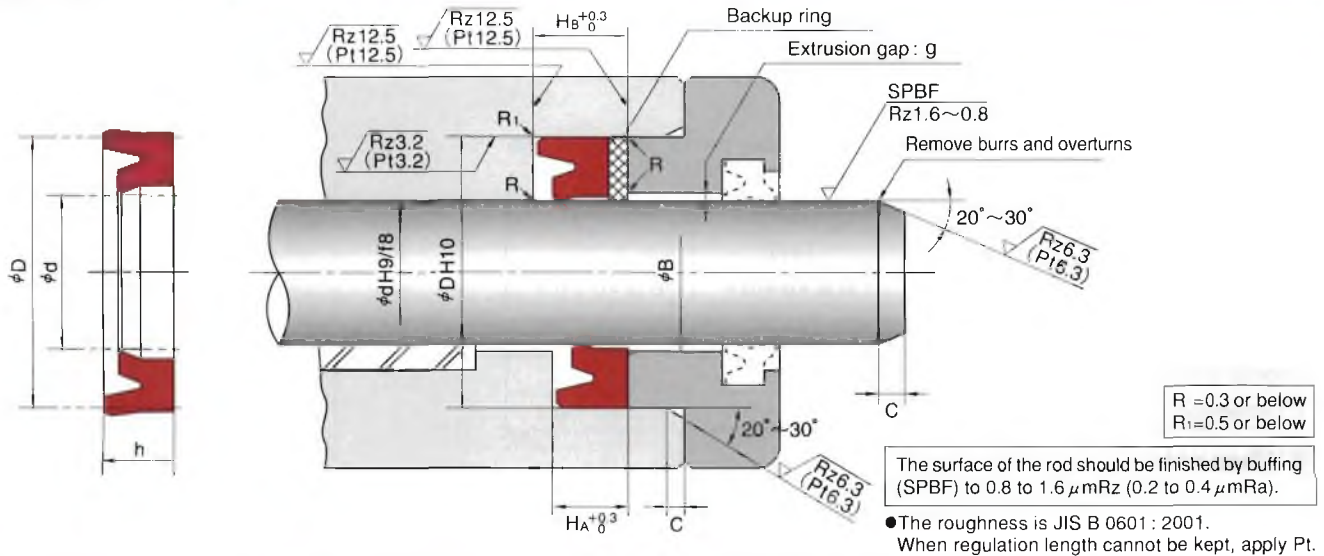
To determine B dimension, please refer to the graph in the right for the maximum extrusion gap (one side) considering the eccentricity of operating condition of the rod.



Nominal Size of Packing, and Housing dimensions						Packing Part Number	Combination Backup Ring Part Number	
d	D	h	H _A	H _B	C		BRT3(Endless)	BRN3(Endless)
							19YF	80NP
150	165	10	11	14	6.5	FU1360F0	GN6497V0	GN917701
	170	12	13	16		FU1361F0	GN1011V0	GN967201
	170	16	17	20		FU1364F0	GN1011V0	GN967201
	175	16	17	20		FU1366F0	GN7014V0	GN964501
	175	20	21	24		FU1368F0	GN7014V0	GN964501
155	180	19	20	24		FU1393F0	GN1016V0	GN917901
	180	20	21	25		FU2181F0	GN1016V0	GN917901
160	175	10	11	15		FU1407F0	GN6499V0	GN918001
	180	12	13	17		FU1409F0	GN6905V0	GN981400
	180	16	17	21		FU1412F0	GN6905V0	GN981400
	185	16	17	21		FU1414F0	GN1020V0	GN918101
	185	19	20	24		FU2076F0	GN1020V0	GN918101
	185	20	21	25		FU1416F0	GN1020V0	GN918101
170	185	10	11	15		FU1444F0	GN7064V0	GN979101
	190	12	13	17		FU1445F0	GN6985V0	GN981600
	190	16	17	21		FU1447F0	GN6985V0	GN981600
	195	16	17	21		FU1449F0	GN1027V0	GN985200
	195	20	21	25		FU1450F0	GN1027V0	GN985200
175	200	19	20	24		FU1463F0	GN1031V0	GN918601
	200	20	21	25		FU2182F0	GN1031V0	GN918601
180	200	16	17	21		FU1486F0	GN6372V0	GN918701
	205	16	17	21		FU1491F0	GN1035V0	GN918801
	205	19	20	24		FU1492F0	GN1035V0	GN918801
	205	20	21	25		FU1493F0	GN1035V0	GN918801
190	210	16	17	21		FU1518F0	GN6505V0	GN919001
	215	16	17	21	FU1520F0	GN1042V0	GN981800	
	215	20	21	25	FU1521F0	GN1042V0	GN981800	
199	219	11	12	16	FU1530F0	GN7279V0	GN985300	
	219	15	16	20	FU1531F0	GN7279V0	GN985300	
	224	16	17	21	FU1533F0	GN1047V0	GN982000	
	224	19	20	24	FU1535F0	GN1047V0	GN982000	
200	220	16	17	21	FU1545F0	GN6276V0	GN919101	
	225	16	17	21	FU1548F0	GN1050V0	GN919201	
	225	19	20	24	FU2135F0	GN1050V0	GN919201	
	225	20	21	25	FU1550F0	GN1050V0	GN919201	
	210	230	16	17	21	FU1576F0	GN6352V0	GN919501
235		16	17	21	FU1578F0	GN1057V0	GN985400	
235		19	20	24	FU1580F0	GN1057V0	GN985400	
235		20	21	25	FU1581F0	GN1057V0	GN985400	
220	240	16	17	21	FU1597F0	GN6508V0	GN919601	
	245	16	17	21	FU1598F0	GN1063V0	GN967000	
	245	19	20	24	FU1600F0	GN1063V0	GN967000	
	245	20	21	25	FU1601F0	GN1063V0	GN967000	

F DIMENSION IDI

IDI TYPE SPECIAL PACKINGS FOR ROD SEALS



Nominal Size of Packing, and Housing dimensions						Packing Part Number	Combination Backup Ring Part Number	
d	D	h	H _A	H _B	C		BRT3(Endless) 19YF	BRN3(Endless) 80NP
224	244	11	12	16	6.5	FU1608F0	GN7281V0	GN9855O0
	244	15	16	20		FU1610F0	GN7281V0	GN9855O0
	249	15	16	20		FU1611F0	GN7282V0	GN9856O0
	249	18	19	23		FU1612F0	GN7282V0	GN9856O0
	249	19	20	24		FU1613F0	GN7282V0	GN9856O0
225	245	16	17	21		FU1622F0	GN6509V0	GN9197O1
	250	16	17	21		FU1624F0	GN1065V0	GN9045O1
	250	19	20	24		FU1626F0	GN1065V0	GN9045O1
	250	20	21	25		FU1627F0	GN1065V0	GN9045O1
230	250	16	17	21		FU1638F0	GN6510V0	GN9047O1
	255	16	17	21		FU1640F0	GN1069V0	GN9857O0
	255	19	20	24		FU1642F0	GN1069V0	GN9857O0
	255	20	21	25		FU1643F0	GN1069V0	GN9857O0
240	260	16	17	21		FU1658F0	GN6511V0	GN9198O1
	265	16	17	21		FU1661F0	GN1073V0	GN9858O0
	265	19	20	24	FU1663F0	GN1073V0	GN9858O0	
	265	20	21	25	FU1664F0	GN1073V0	GN9858O0	
250	270	16	17	21	FU1679F0	GN6512V0	GN9199O1	
	275	16	17	21	FU1681F0	GN1078V0	GN9200O1	
	275	19	20	24	FU1683F0	GN1078V0	GN9200O1	
	275	20	21	25	FU1684F0	GN1078V0	GN9200O1	
260	285	19	20	24	FU1705F0	GN6514V0	GN9202O1	
	290	19	20	24	FU1707F0	GN1083V0	GN9431O1	
265	297	24	25	29	FU1714F0	GN6515V0	GN9204O1	
	297	25	26	30	FU2183F0	GN6515V0	GN9204O1	
270	295	19	20	24	FU1721F0	GN6516V0	GN9205O1	
	300	19	20	24	FU1723F0	GN1089V0	GN9206O1	
	300	24	25	29	FU1725F0	GN1089V0	GN9206O1	
	300	25	26	30	FU1726F0	GN1089V0	GN9206O1	
280	305	19	20	24	FU1734F0	GN6518V0	GN9208O1	
	310	19	20	24	FU1736F0	GN1093V0	GN9859O0	
	312	24	25	29	FU2136F0	GN6519V0	GN9209O1	
	312	25	26	30	FU2184F0	GN6519V0	GN9209O1	
290	315	19	20	24	FU1749F0	GN6520V0	GN9210O1	
	320	19	20	24	FU1751F0	GN1098V0	GN9860O0	
300	325	19	20	24	FU1763F0	GN6521V0	GN9211O1	
	330	19	20	24	FU1765F0	GN1103V0	GN9235O1	
	332	24	25	29	FU2137F0	GN6522V0	GN9212O1	
	332	25	26	30	FU2185F0	GN6522V0	GN9212O1	