

# USI TYPE

PACKINGS FOR BOTH PISTON  
AND ROD SEALS  
IRON RUBBER (AU)



● Please designate NOK Part number and type & size on your order.

(Example) Order for the packing as a single piece

• Type Dimensions	USI	10	18	5	
	└─ Type Sign	└─ Nominal Size of Packing described in order of inner diameter(d), outer diameter(D), and height(h)			
• Part Number	FU0064S0				

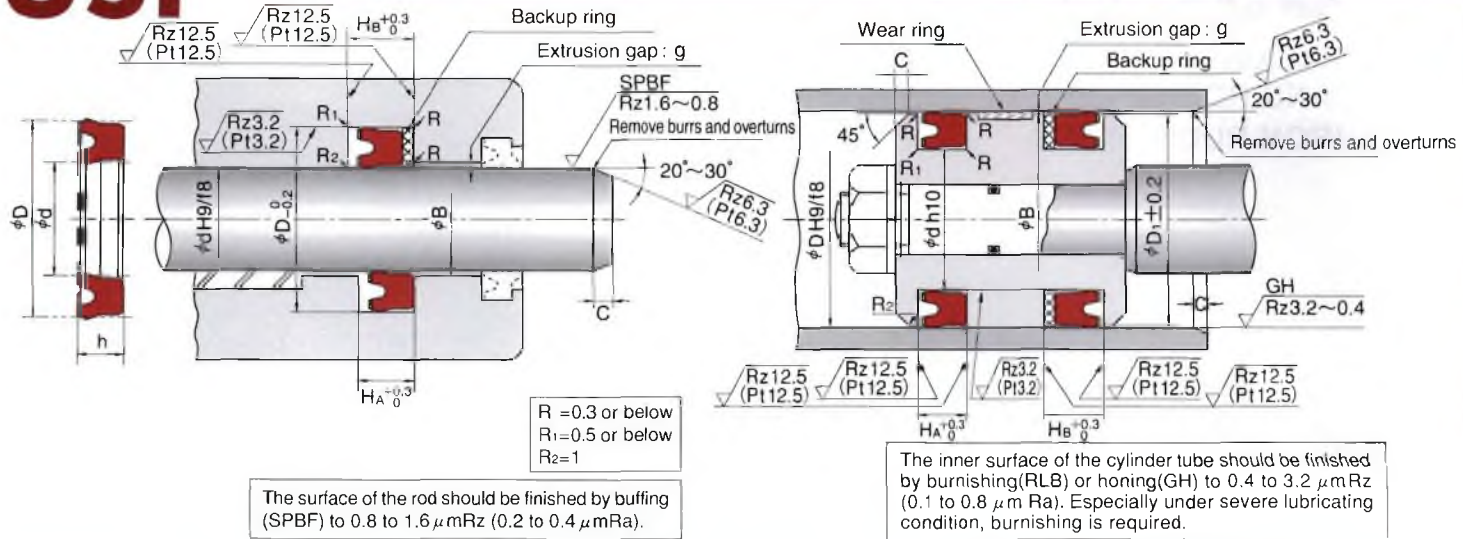
※ When placing orders for backup rings used in combination with packing, designate the NOK part number and the model size.

• Type Dimensions	BRT2	10	18	2	
	└─ Type Sign	└─ Nominal Size of Backup ring described in order of inner diameter(d), outer diameter(D), and thickness(t)*			
• Part Number	GN5418V0				*t = H <sub>B</sub> - H <sub>A</sub> (Housing dimensions)

● Please check the application range on pages 14 and 15 before selecting the type.

<b>Material</b>	NOK U593
-----------------	----------

# USI TYPE PACKINGS FOR BOTH PISTON AND ROD SEALS (INSTALLED WITH INTERNAL GROOVE)



● The roughness is JIS B 0601 : 2001.  
When regulation length cannot be kept, apply Pt.

Nominal Size of Packing, and Housing dimensions							Packing Part Number	Combination Backup Ring Part Number	
d	D	h	HA	HB	φD <sub>1</sub>	C		BRT2 (Biascut)	19YF
10	18	5			17		●FU0064S0	GN5418V0	
12	20	5			19		●FU2464S0	GN5723V0	
12.5	20	5			19		●FU2465S0	GN5724V0	
14	22	5			21		○FU0116S0	GN5719V0	
16	24	5			23		○FU0150S0	GN5720V0	
17	25	5			24		○FU2466S0	GN5725V0	
18	26	5			25		○FU0180S0	GN4778V0	
20	28	5			27		○FU0212S0	GN4780V0	
	30	6			29		○FU0214S0	GN4781V0	
22	30	5			29		○FU2467S0	GN5726V0	
22.4	30	5			29		○FU0260S0	GN4784V0	
23.5	31.5	5			30.5		○FU0267S0	GN4786V0	
24	32	5			31		○FU2468S0	GN5727V0	
25	33	5			32		○FU0276S0	GN5019V1	
	35	6			34		○FU0279S0	GN4787V0	
26	34	5			33		○FU2469S0	GN5728V0	
27	35	5			34		FU2470S0	GN5707V0	
28	35.5	5			34.5		FU0320S0	GN4791V0	
	36	5			35		FU0321S0	GN5715V0	
30	38	5			37		FU0355S0	GN5729V0	
	40	6			39		FU0357S0	GN4794V0	
31.5	41.5	6			40.5		FU0382S0	GN4796V0	
32	42	6			41		FU2055S0	GN5730V0	
33	43	6			42		FU2471S0	GN5731V0	
34	44	6			43		FU2263S0	GN5732V0	
35	45	6			44		FU0424S0	GN4799V0	
35.5	45	6			44		FU0451S0	GN4801V0	
	45.5	6			44.5		FU0452S0	GN5716V0	
36	46	6			45		FU2472S0	GN5733V0	
38	48	6			47		FU2240S0	GN5365V0	
40	50	6			49		FU0497S0	GN4050V0	
45	55	6			54		FU0567S0	GN4804V0	
	56	7			55		FU0572S0	GN4805V0	
46	56	6			55		FU2662S0	GN5709V0	
50	60	6			59		FU0619S0	GN4335V0	
53	63	6			62		FU0679S0	GN4693V0	
55	65	6			64		FU0694S0	GN4810V0	
56	66	6			65		FU0722S0	GN4766V0	
58	68	6			67		FU2473S0	GN5641V0	
60	70	6			69		FU0746S0	GN4676V0	
	71	7			70		FU0750S0	GN4812V0	

Remark ) When using packings with mark ● as rod packing, provide separate grooves.  
When using packings with marks ●○ as piston packing, provide separate grooves.

## HOW TO DETERMINE B DIMENSION

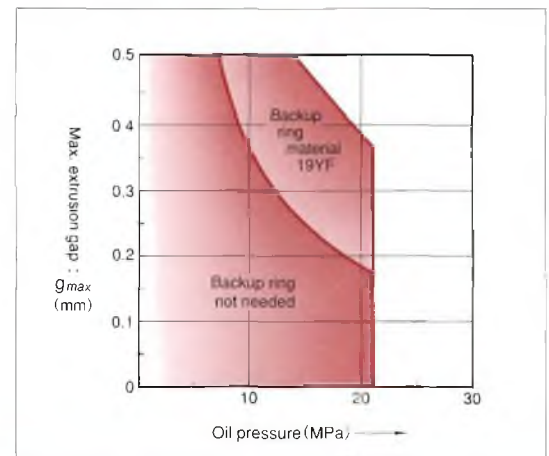
### ■ When using backup ring

Please determine B dimension according to the table below. If you require smaller B dimension (in case of piston seals) or larger B dimension (in case of rod seals) because of the cylinder configuration, please consult NOK.

Maximum Service Pressure	14MPa	21MPa	
Material of Backup ring	19YF		
Dimension B	For rod	$B \geq \phi d + 1.0$	$B \geq \phi d + 0.5$
	For piston	$B \geq \phi D - 1.0$	$B \geq \phi D - 0.5$

### ■ When not using backup ring

To determine B dimension, please refer to the graph in the right for the maximum extrusion gap (one side) considering the eccentricity of operating condition of the piston or rod.



Nominal Size of Packing, and Housing dimensions							Packing Part Number	Combination Backup Ring Part Number		
d	D	h	H <sub>A</sub>	H <sub>B</sub>	$\phi D_1$	C		BRT2(Biascut)	19YF	
61	71	6	7	10	70	2.5	FU2474S0	GN4629V0		
63	73	6			72		FU0786S0	GN4814V0		
65	75	6			74		FU0809S0	GN4816V0		
67	77	6			76		FU0828S0	GN4697V0		
70	80	6			79		FU0849S0	GN4651V0		
71	80	6			79		FU0879S0	GN4818V0		
75	85	6			84		FU0901S0	GN4692V0		
80	90	6			89		FU0939S0	GN4820V0		
	95	9			10		13	94	FU0942S0	GN5023V0
85	95	6			7		10	94	FU2475S0	GN4757V0
	100	9	10	13	99	FU0984S0	GN4687V0			
86	100	8.5	9.5	12.5	99	FU2476S0	GN4982V1			
89	104	9	10	13	103	FU2372S0	GN5734V0			
90	100	6	7	10	99	FU1021S0	GN5735V0			
	105	9			104	FU1024S0	GN4698V0			
95	110	9	10	13	109	FU1051S0	GN4822V0			
96	111	9			110	FU2477S0	GN5736V0			
98	112	8.5	9.5	12.5	111	FU1067S0	GN4824V0			
100	115	9	10	13	113	4	FU1082S0	GN4512V0		
105	120	9			118		FU1125S0	GN5198V0		
106	120	8.5			9.5		12.5	118	FU1135S0	GN4826V0
110	125	9			123		FU1157S0	GN4480V0		
112	125	9			10		13	123	FU1179S0	GN4827V0
115	130	9			128		FU1195S0	GN4593V0		
118	132	8.5			9.5		12.5	130	FU1204S0	GN5414V0
125	140	9			10		13	138	FU1252S0	GN4481V0
132	145	8.5			9.5		12.5	143	FU1291S0	GN5737V0
136	150	8.5						148	FU1306S0	GN4830V0
145	160	9	10	13		158		FU1343S0	GN4551V0	