

USH TYPE

PACKINGS FOR BOTH PISTON
AND ROD SEALS

NITRILE RUBBER (NBR)
FLUORORUBBER (FKM)



● Please designate NOK Part number and type & size on your order.

(Example) Order for the packing as a single piece

• Type Dimensions	USH	12	20	5	
	└─ Type Sign		└─ Nominal Size of Packing described in order of inner diameter(d), outer diameter(D), and height(h)		
• Part Number	CU3248K0				

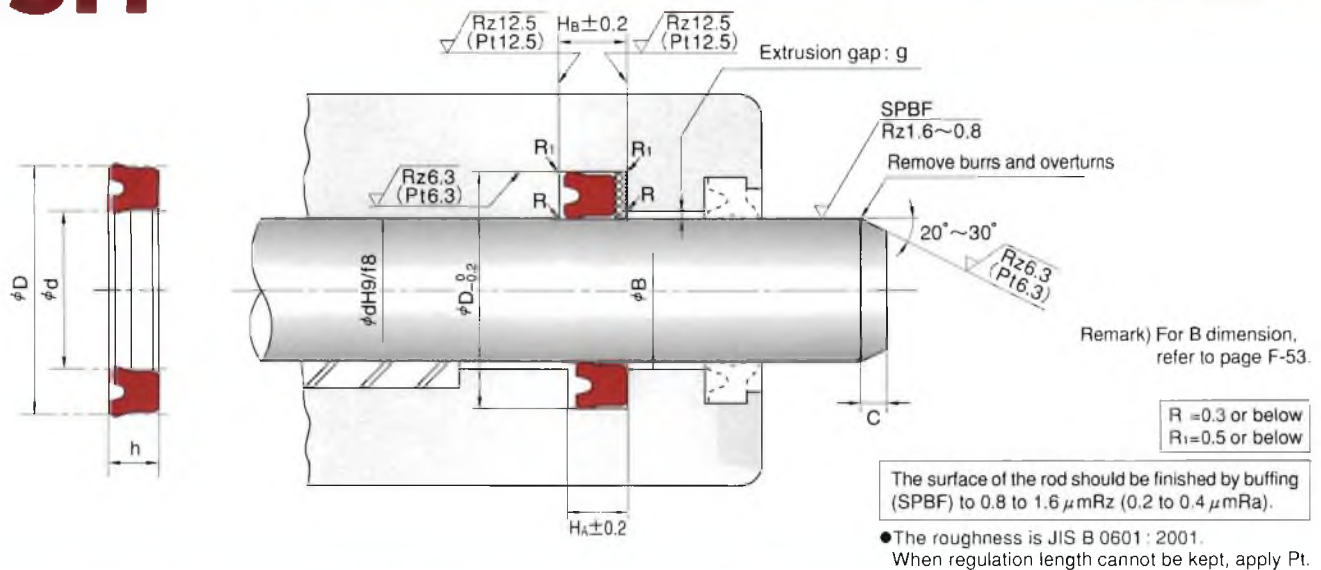
※ When placing orders for backup rings used in combination with packing, designate the NOK part number and the model size.

• Type Dimensions	BRT2	12	20	2	
	└─ Type Sign		└─ Nominal Size of Backup ring described in order of inner diameter(d), outer diameter(D), and thickness(t)*		
• Part Number	GN5723V0				*t = H _B - H _A (Housing dimensions)

● Please check the application range on pages 14 and 15 before selecting the type.

Material	Standard : NOK A505 Heat resistant type : NOK F357
-----------------	---

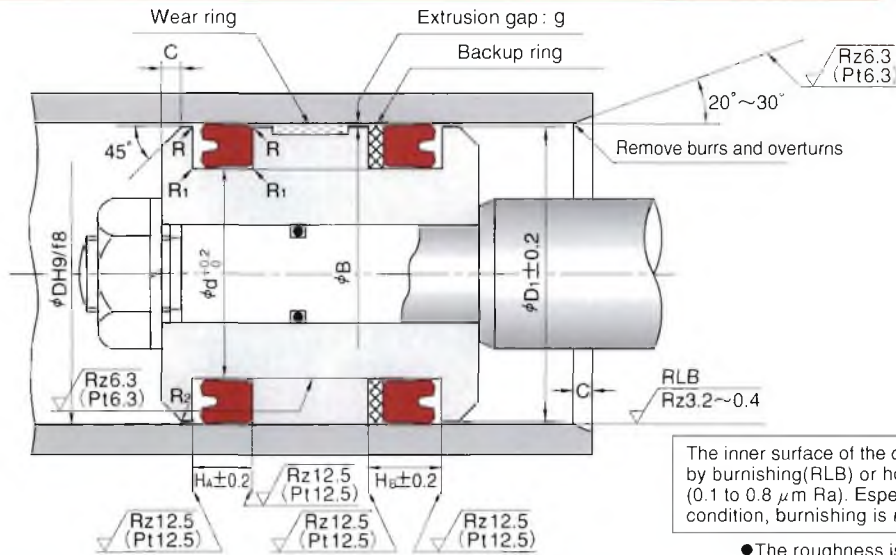
USH TYPE PACKINGS FOR BOTH PISTON AND ROD SEALS (INSTALLED WITH INTERNAL GROOVE)



Nominal Size of Packing, and Housing dimensions							Standard (A505)		Heat resistant type (F357)		Combination Backup Ring Part Number
d	D	h	H _A	H _B	φD ₁	C	Packing Part Number	Nominal Number	Packing Part Number	Nominal Number	BRT2 (Biascut) 19YF
12	20	5	5.7	7.7	19	2	●CU3248K0	USH-12			GN5723V0
14	22	5	5.7	7.7	21		●CU2692K0	USH-14			GN5719V0
16	24	5	5.7	7.7	23		●CU2548K0	USH-16	●CU2548K2	USH-16F	GN5720V0
18	26	5	5.7	7.7	25		CU0180K0	USH-18	CU0180K6	USH-18F	GN4778V0
20	28	5	5.7	7.7	27		CU0212K0	USH-20	CU0212K4	USH-20F	GN4780V0
22	30	5	5.7	7.7	29		CU3017K0	USH-22	CU3017K3	USH-22F	GN5726V0
22.4	30	5	5.7	7.7	29		CU0260K0	USH-22.4	CU0260K3	USH-22.4F	GN4784V0
23.5	31.5	5	5.7	7.7	30.5		CU0267K0	USH-23.5			GN4786V0
24	32	5	5.7	7.7	31		CU2971K0	USH-24	CU2971K1	USH-24F	GN5727V0
25	33	5	5.7	7.7	32		CU0276K0	USH-25	CU0276K3	USH-25F	GN5019V1
27	35	5	5.7	8.7	34		CU3187K0	USH-27			GN5707V0
28	35.5	5	5.7	8.7	34.5		CU0320K0	USH-28	CU0320K2	USH-28F	GN4791V0
	36	5	5.7	8.7	35		CU2536K0	USH-28A			GN5715V0
30	40	6	7	10	39		CU0357K0	USH-30	CU0357K6	USH-30F	GN4794V0
31.5	41.5	6	7	10	40.5	CU0382K0	USH-31.5	CU0382K1	USH-31.5F	GN4796V0	
32	42	6	7	10	41	CU2819K0	USH-32			GN5730V0	
35	45	6	7	10	44	CU0424K0	USH-35	CU0424K3	USH-35F	GN4799V0	
35.5	45	6	7	10	44	CU0451K0	USH-35.5	CU0451K1	USH-35.5F	GN4801V0	
	45.5	6	7	10	44.5	CU3253K0	USH-35.5A			GN5716V0	
36	46	6	7	10	45	CU3040K1	USH-36			GN5733V0	
40	50	6	7	10	49	CU0497K0	USH-40	CU0497K3	USH-40F	GN4050V0	
45	55	6	7	10	54	CU0567K0	USH-45	CU0567K4	USH-45F	GN4804V0	
	56	7	8	11	55	CU0572K0	USH-45A	CU0572K1	USH-45AF	GN4805V0	
50	60	6	7	10	59	CU0619K0	USH-50	CU0619K4	USH-50F	GN4335V0	
53	63	6	7	10	62	CU0679K0	USH-53	CU0679K4	USH-53F	GN4693V0	
55	65	6	7	10	64	CU0694K0	USH-55			GN4810V0	
56	66	6	7	10	65	CU0722K0	USH-56	CU0722K2	USH-56F	GN4766V0	
58	68	6	7	10	67	CU3255K0	USH-58			GN5641V0	
60	70	6	7	10	69	CU0746K0	USH-60	CU0746K3	USH-60F	GN4676V0	
	71	7	8	11	70	CU0750K0	USH-60A			GN4812V0	
63	73	6	7	10	72	CU0786K0	USH-63	CU0786K2	USH-63F	GN4814V0	
65	75	6	7	10	74	CU0809K0	USH-65	CU0809K2	USH-65F	GN4816V0	
67	77	6	7	10	76	CU0828K0	USH-67	CU0828K1	USH-67F	GN4697V0	
70	80	6	7	10	79	CU0849K0	USH-70	CU0849K4	USH-70F	GN4651V0	
71	80	6	7	10	79	CU0879K0	USH-71	CU0879K1	USH-71F	GN4818V0	
75	85	6	7	10	84	CU0901K0	USH-75			GN4692V0	
80	90	6	7	10	89	CU0939K0	USH-80	CU0939K3	USH-80F	GN4820V0	
85	95	6	7	10	94	CU1959K0	USH-85A			GN4757V0	
	100	9	10	13	98	CU0984K0	USH-85	CU0984K4	USH-85F	GN4687V0	
90	105	9	10	13	103	CU1024K0	USH-90	CU1024K4	USH-90F	GN4698V0	
95	110	9	10	13	108	CU1051K0	USH-95	CU1051K3	USH-95F	GN4822V0	

Remark 1) When using packings with mark ● as rod packing, provide separate grooves.

Remark 2) The Part number and the one stamped on the product might be different in case of heat resistant type.



Remark) For B dimension, refer to page F-17.

R = 0.3 or below
R₁ = 0.5 or below
R₂ = 1

The inner surface of the cylinder tube should be finished by burnishing (RLB) or honing (GH) to 0.4 to 3.2 μm Rz (0.1 to 0.8 μm Ra). Especially under severe lubricating condition, burnishing is required.

● The roughness is JIS B 0601 : 2001.
When regulation length cannot be kept, apply Pt.

Nominal Size of Packing, and Housing dimensions							Standard (A505)		Heat resistant type (F357)		Combination Backup Ring Part Number
d	D	h	H _A	H _B	φD ₁	C	Packing Part Number	Nominal Number	Packing Part Number	Nominal Number	BRT2 (Biасcut) 19YF
98	112	8.5	9.5	12.5	110	4	CU1067K0	USH-98	CU1067K2	USH-98F	GN4824V0
100	115	9	10	13	113		CU1082K0	USH-100	CU1082K3	USH-100F	GN4512V0
106	120	8.5	9.5	12.5	118		CU1135K0	USH-106	CU1135K1	USH-106F	GN4826V0
110	125	9	10	13	123		CU1157K0	USH-110			GN4480V0
112	125	8.5	9.5	12.5	123		CU1178K0	USH-112	CU1178K1	USH-112F	GN4827V0
	125	9	10	13	123		CU1179K0	USH-112A			GN4827V0
115	130	8.5	9.5	12.5	128		CU3259K0	USH-115			GN4593V0
118	132	8.5	9.5	12.5	130		CU1204K0	USH-118			GN5414V0
125	140	9	10	13	138		CU1252K0	USH-125	CU1252K2	USH-125F	GN4481V0
130	145	9	10	13	143		CU1280K0	USH-130			GN4628V1
132	145	8.5	9.5	12.5	143		CU1291K0	USH-132			GN5737V0
136	150	8.5	9.5	12.5	148		CU1306K0	USH-136	CU1306K3	USH-136F	GN4830V0
140	155	9	10	13	153		CU1323K0	USH-140	CU1323K1	USH-140F	GN4526V0
145	160	9	10	13	158		CU1343K0	USH-145	CU1343K2	USH-145F	GN4551V0
150	165	9	10	13	163		CU1359K0	USH-150	CU1359K1	USH-150F	GN4833V0
155	170	9	10	14	168		CU3261K0	USH-155			GN4834V0
160	175	9	10	14	173		CU1406K0	USH-160	CU1406K2	USH-160F	GN4835V0
165	180	9	10	14	178		CU1429K0	USH-165	CU1429K2	USH-165F	GN4836V0
170	185	9	10	14	183		CU3262K0	USH-170			GN5464V0
175	190	9	10	14	188		CU3038K0	USH-175			GN4839V0
180	200	12	13	17	198		CU1483K0	USH-180	CU1483K2	USH-180F	GN4470V0
190	210	12	13	17	208		CU2516K0	USH-190	CU2516K1	USH-190F	GN4841V0
195	215	12	13	17	213		CU3263K0	USH-195			GN5746V0
200	220	12	13	17	218		CU1543K0	USH-200	CU1543K1	USH-200F	GN4385V0
204	224	12	13	17	222		CU1563K0	USH-204	CU1563K1	USH-204F	GN4842V0
220	240	12	13	17	238		CU1596K0	USH-220			GN4444V0
224	244	12	13	17	242		CU1609K0	USH-224			GN5132V0
230	250	12	13	17	248		CU1637K0	USH-230	CU1637K1	USH-230F	GN4635V0
240	260	12	13	17	258	CU1657K0	USH-240			GN4845V0	
250	270	12	13	17	268	CU1678K0	USH-250			GN4459V0	
260	280	14	15	19	278	CU1702K0	USH-260	CU1702K1	USH-260F	GN5563V0	
280	300	14	15	19	298	CU1962K0	USH-280			GN5459V0	
295	315	14	15	19	313	CU1756K0	USH-295			GN5738V0	
300	320	12	13	17	318	CU3267K0	USH-300			GN5581V0	
335	355	14	15	19	353	CU1793K0	USH-335				
355	375	14	15	19	373	CU3270K0	USH-355				
380	400	14	15	19	398	CU2002K0	USH-380				
400	420	14	15	19	418	CU3271K0	USH-400				
450	470	14	15	20	468	CU3273K0	USH-450				
500	525	17	18	23	523	CU3275K0	USH-500				

Remark 1) When using packings on this large size, please consult NOK.

Remark 2) The Part number and the one stamped on the product might be different in case of heat resistant type.

Remark 3) When placing orders for the backup ring on this large size, please consult NOK.