

## TK40 SPARE PARTS PAGES

PAGE NUMBER			DESCRIPTION	PART NUMBER
00.0	A90001	0207	GUIDE TO THE SPARE PARTS (ENGLISH)	
00.0	A90003	0207	GUIDE TO THE SPARE PARTS (SPANISH)	
00.1	A91241	0505	TK40	A700086C
01.0	A91242	0505	TK40 ENGINE INSTALLATION/DRIVE UNIT BF4L2011	A730031
01.0	A91243	0505	TK40 HY-HOSE INSTALLATION	A041602
01.2	A90193	0310	HYDRAULIC PUMP (H-A10VO71, 50HP)	A012029
01.3	A91214	0311	SINGLE AUXILIARY PUMP (G2-50)	A013023
01.3	A91216	0311	DOUBLE AUXILIARY PUMP (G2-50)	A013024
01.7	A91218	0411	FUEL COMPONENTS BF4L2011	A017049
02.1	A91223	0411	MANIFOLD ASSEMBLY (D08 HYDAC)	A020060
02.1	A90509	0203	S-TUBE VALVE ASSEMBLY	AT311997
02.1	A90516	0012	SINGLE SPOOL VALVE (RMX)	AT311658
02.1	A90517	0012	DOUBLE SPOOL VALVE ASSY (OUTR/OUTR)	A023001
02.1	A90518	0012	TRIPLE SPOOL VALVE (OUTR/OUTR/RMX)	AT311638
02.1	A90687	0203	MAIN CONTROL VALVE	A021005
02.2	A90944	0203	FLOW CONTROL VALVE	A020042
02.4	A91231	0505	OIL COOLER 12V	A024039
02.5	A90525	9902	ACCUMULATOR CHARGE KIT	AT311803
02.5	A90527	9902	ACCUMULATOR REPAIR KIT	AT311945
02.6	A90993	0206	MANUAL LUBE KIT (RS487A)	
03.1	13750	9408	HYDRAULIC DRIVE CYLINDER (1000-80/45)	261092006
03.4	13852	0009	S-TUBE SHIFT CYLINDER (160X60)	262840008
03.4	A90664	0411	OUTRIGGER CYLINDER ASSEMBLY	A094016
03.5	A91234	0505	HYDRAULIC TANK ASSEMBLY (D08 HYDAC)	A014030
03.6	12067	9704	REMIXER HYDRAULIC MOTOR	238130001
04.2	A90195	0411	REMIXER HYDRAULIC COMPONENTS	A029016
04.2	A90949	0411	OUTRIGGER HYDRAULIC COMPONENTS	A094034
04.2	A90953	0411	OUTRIGGER/REMIXER HYDRAULIC COMPONENTS	A094035
05.2	A91203	0411	CONTROL CABINET (TK, 12V, PNP)	A051173
05.3	A91204	0209	CABLE REMOTE CONTROL BOX (TK)	A051174
05.3	A91213	0305	RADIO REMOTE CONTROL (MODEL 707)	A053157, A053158
06.0	A91209	0209	FLATPACK ASSEMBLY (150X1000, RS457A)	A710037
06.1	A91210	0401	DELIVERY CYLINDER ASSY (150X1000)	A061018
06.1	A91211	0209	WATERBOX ASSY (WK180)	A063012
06.2	11829	9808	DELIVERY PISTON (150)	223126004
06.2	A91212	0505	HYDRAULIC DRIVE CYLINDER ASSY (1000-80/45)	A031034
07.0	16520	0210	S-TUBE S1512	430336
07.1	16521	0210	WEAR PARTS (D150-160 DURO 22)	431292
07.2	16294	0201	5"HD OUTLET	425108
07.3	16402	0304	S-TUBE DRIVE ASSEMBLY (60X160)	424884
07.4	16401	0206	S-TUBE BEARING SHAFT	401783
07.5	16027	0311	OUTLET BEARING	410505
08.0	16026	0302	REMIXER	410732
08.1	15548	0409	HOPPER GRATE SAFETY CUT-OUT	288395003
08.1	16523	0210	HOPPER (RS457A)	431100
08.1	16028	0103	HOPPER GRATE	414456
08.3	12434	0310	REMIXER BEARING FLANGE	220229001
08.3	12435	9605	REMIXER BEARING FLANGE	242572008
08.5	11930	0010	RUBBER SPLASH GUARD ASSY (SKID OPTION)	225124004
08.5	A90940	0505	SPLASH GUARD ASSY	A081076
09.0	A91226	0505	FINAL FINSH ASSY	A530126
09.5	A90994	0208	ELECTRIC BRAKE COMPONENTS	
09.5	A91225	0505	TRAILER ASSEMBLY (1143W - SINGLE TORSION)	A720040
09.5	A90997	0204	TK FRAME ASSEMBLY (TRUCK SKID OPTION)	A720030
12.3	A91201	0410	WATER PUMP KIT W/RMX METRIC	A123041
12.3	A91202	0410	WATER PUMP KIT W/O RMX METRIC	A123042
12.6	A90192	0505	TK40 SHIP AWAY KIT	A126097

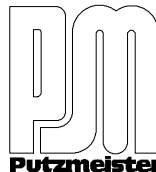
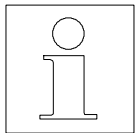




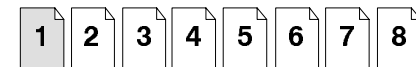
**ЗАПЧАСТИ ДЛЯ БЕТОННАСОСОВ**  
**+79180710333**

## Guide to the Spare Parts List

<b>This topic:</b>	<b>Starts on page:</b>
Spare Parts List	2
Parts Department Policies	2
Spare Parts Sheets	4
Spare Parts Sheets Symbols	6
General Tightening Torques	7
Parts and Service Assistance	8



English



A90001-0207



ЗАПЧАСТИ ДЛЯ БЕТОННАСОСОВ  
+79180710333

## Spare Parts List


Operation, maintenance, and repairs (as described in the Owner's Manuals) are only to be carried out by trained personnel entrusted with this work. Define the individual responsibilities of your personnel clearly.

The performance of your machine requires the use of *Original Putzmeister spare parts*. Any warranty claim will be invalidated if you have not used genuine "Putzmeister" spare parts.

The machine and spare parts warranty and returns are subject to our conditions of sale and supply (please request a copy from the "Putzmeister" Technical Support Department).

The illustrations and texts in this spare parts list are not binding. We reserve the right to make technical amendments.

The contents of this spare parts list may not be reproduced - even in part - without our written approval. All technical data, drawings, etc. are subject to copyright law. This spare parts list may only be used for the purpose for which it has been supplied by us. It must not be passed on to third parties, in particular competitors. Moreover, all rights, especially those of patent application, are reserved.

© Copyright by 

## Parts Department Policies

### Conditions of Sale

The following provisions apply to all orders for spare parts (including repair parts ordered for machines under warranty) placed with Putzmeister America Inc. Placement of any spare parts order constitutes acceptance of these conditions of sale and applies to all customers of Putzmeister America Inc.

#### 1. Time for Delivery:

The Company (Putzmeister America Inc.) will endeavor to complete the delivery of the Goods by any estimated date or time which may be specified in the Contract. The time for delivery, however, shall not be of the essence of the Contract and the Company shall be under no liability for any direct or indirect damage or loss attributable to its failure to complete delivery of the Goods by the date or time specified therefore.

Should the Company be hindered or delayed in the delivery of the Goods by any cause not entirely within its control (including, but not limited to strikes, lockouts, industrial disputes, fire, accident, delay in delivery of or defects in materials, and damage to goods in transit) a reasonable extension of the date or time for delivery of the Goods shall be granted.

#### 2. Cancellation:

In the event of cancellation of the order by the Buyer, the Company (Putzmeister America Inc.) reserves the right to impose reasonable cancellation charges.

### 3. Parts Department Hours:

Our Parts Department is open from 8:00 A.M. to 5:00 P.M., central standard time, Mondays through Fridays. A fax machine and an automatic answering device are available to receive your parts order 24 hours per day, 365 days per year.

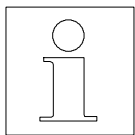
### 4. Shipping Hours:

All non-stocking orders received by 3:00 PM local time will be processed that day. (All orders will be shipped as complete as possible via the method requested by the ordering person.) If you require the order shipped complete, please advise the parts customer service representative and the order will only be shipped when all parts are available. As back-ordered items are received, parts personnel will contact you for delivery instructions.

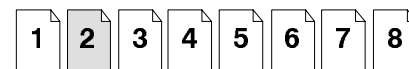
### 5. Manner of Shipment:

Customer instructions for routing of shipments are recommended and will be adhered to whenever possible. However, we reserve the right to ship in another manner if that requested by the customer is impractical.

Air freight "Counter to Counter", next flight, and Greyhound bus orders are subject to a delivery charge to the terminal of \$200.00 in addition to the freight charges. Note: Putzmeister does not maintain freight accounts with all airlines. Should you request shipment via a specific courier, you need to provide us with your account number.



Guide to the Spare Parts List



A90001-0207

English



ЗАПЧАСТИ ДЛЯ БЕТОННАСОСОВ  
+79180710333

## Parts Department Policies (Continued)

### 6. “Will Call” Orders:

At the time a “Will Call” order is placed (or as soon as possible afterward), Putzmeister America Inc. Parts Department will schedule a date and time that the ordered parts will be ready for pickup. Same day pickup of parts in stock is possible if the Parts Department receives the order before 4:00 P.M. local time.

### 7. Shortages:

All claims for shortages in orders shipped by Putzmeister America must be made within five (5) business days after receipt of the shipment.

### 8. Discontinued Parts:

Putzmeister America Inc. reserves the right to discontinue the manufacture of any part, or to make changes in the design to products covered in this agreement at any time without incurring any obligation to any customer, whether or not orders have been previously accepted or approved.

Many components used on Putzmeister equipment are supplied to us by outside vendors. Putzmeister America Inc. assumes no responsibility for the revision, discontinuance or unavailability of these components from our suppliers.

### 9. Spare Parts Prices:

Parts price listings are available free of charge in booklet form and for a minimal charge on computer disks for IBM compatible equipment. There will be an initial charge of \$25.00 for each disk with subsequent updates available at \$10.00 each. Prices for spare parts are subject to change without notice, and will supersede all previously published prices.

### 10. Acceptance of Goods:

The customer shall accept delivery at the point of shipment of all goods ordered and shall not return any goods for any reason whatsoever unless prior “Return Goods Authorization” has been obtained. All approved returns shall be returned freight prepaid.

### 11. Freight Charges to Customer:

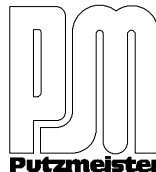
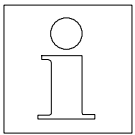
All part sales are made as F.O.B. factory with the exception of drop shipments. Drop shipments outside of your territory will not be allowed. All freight charges on merchandise are due according to the terms in effect at the time of shipment. Putzmeister America Inc. does not credit shipping, freight, inspection or brokerage fees on any shipments.

### 12. Interest:

Interest will be charged on any past due balance up to the highest rate permitted by law.

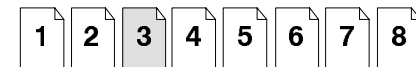
### 13. “800” Line for Parts Orders:

A toll-free “800” line to the Putzmeister America Inc. Parts Department has been installed for the placement of parts orders. The toll-free numbers are listed in the “Introduction” and “Parts and Service Assistance” sections of this manual.



Guide to the Spare Parts List

English



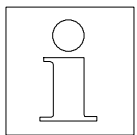
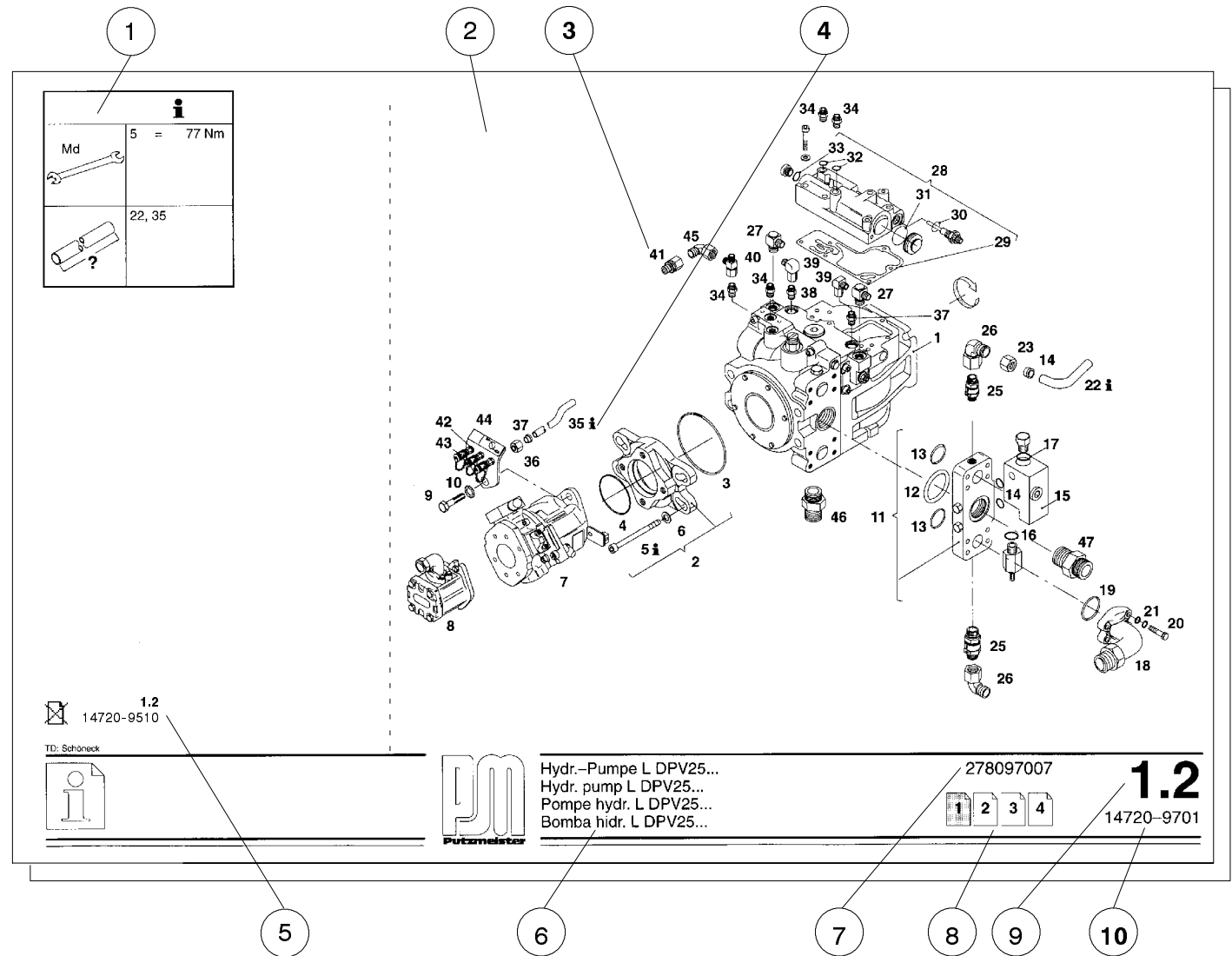
A90001-0207



ЗАПЧАСТИ ДЛЯ БЕТОННАСОСОВ  
+79180710333

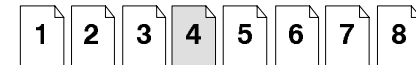
## Spare Parts Sheets

- ① Information column  
(additional information in the form of signs and symbols)
- ② Illustration of the spare parts
- ③ Item number of the spare part
- ④ Item number of the spare part with reference to additional information in the information column ①
- ⑤ Notes on amendment control
- ⑥ Description of the spare parts group
- ⑦ Part number of the spare parts group
- ⑧ Number of pages in the spare parts group
- ⑨ Spare parts group (EG)
- ⑩ Spare parts sheet number (EBN)



Guide to the Spare Parts List

English



A90001-0207



ЗАПЧАСТИ ДЛЯ БЕТОННАСОСОВ  
+79180710333

# Spare Parts Sheets (Continued)

**11** Item number of the spare part

**12** Part number

**13** **Quantity**  
Please specify the quantity required and the unit of measurement if the number of pieces is not stated (" - ").

**14** **Description / Scope of supply**  
The dots show the scope of supply for an item. The scope of supply for an item comprises all the following items with more dots.

Examples:

*Item 11:*  
Scope of supply:  
items 12, 13, 14,  
15, 16, 17

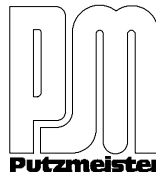
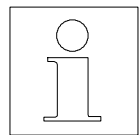
*Item 15:*  
Scope of supply:  
items 16, 17

11	257074009	1	. Spü
12	042688008	1	.. O-
13	042859002	2	.. O-R
14	272590005	2	.. O-R
15	278352001	1	.. Spü
16	226975003	1	... O-
17	272591004	2	... O

**15** Dimensions

**16** **Reference**  
Spare parts group (EG) and spare parts sheet number (EBN), where the spare part with its individual components is specified

11	12	13	Deutsch	15	English	Français	Español	16
	278097007	1	Hydr.-Pumpe	L-DPV25...	Hydr. pump	Pompe hydr.	Bomba hidr.	
1	262533001	1	..Hydr.-Pumpe	L DPV25 90/130	..Hydr. pump	..Pompe hydr.	..Bomba hidr.	1.2 14273
2	273172008	1	..Durchtrieb	SAE-B	..Drive shaft	..Arbre d'entraînement	..Eje de accionamiento	
3	271452005	1	..O-Ring	158,4x2,62DIN3770V18	..O-ring	..Joint torique	..Junta tórica	
4	271454003	1	..O-Ring	101,32x1,78DIN377V18	..O-ring	..Joint torique	..Junta tórica	
5	271455002	4	..Zylinderschraube	M16x160 DIN912-12.9	..Cheese head screw	..Vis à tête cylindrique	..Tornillo cilíndrico rosca	
6	036981009	4	..Scheibe	17 DIN6916-C45	..Washer	..Rondelle	..Arandela	
7	265557000	1	..Hydr.-Pumpe	L A10V28(24)DR	..Hydr. pump	..Pompe hydr.	..Bomba hidr.	1.3 12493
8	235092003	1	..Hydr.-Pumpe	L 12cm <sup>3</sup>	..Hydr. pump	..Pompe hydr.	..Bomba hidr.	1.3 12407
9	042199005	2	..Sechskantschraube	3/8"-16 NC x1"	..Hexagon head cap screw	..Vis à tête hexagonale	..Tornillo de cab.exagonal	
10	036506002	2	..Sicherungsscheibe	VS10	..Lock washer	..Rondelle d'arrêt	..Arandela de seguridad	
11	257074009	1	..Spülblock		..Scavenging block	..Bloc de rinçage	..Bloque de lavado	
12	042688008	1	..O-Ring	47,22x3,53DIN3770NB9	..O-ring	..Joint torique	..Junta tórica	
13	042859002	2	..O-Ring	37,7x3,53DIN3770NB70	..O-ring	..Joint torique	..Junta tórica	
14	272590005	2	..O-Ring	16x2,5 DIN3770V190	..O-ring	..Joint torique	..Junta tórica	
15	278352001	1	..Spülblock		..Scavenging block	..Bloc de rinçage	..Bloque de lavado	
16	226975003	1	..O-Ring	23,47x2,95DIN3770NB9	..O-ring	..Joint torique	..Junta tórica	
17	272591004	2	..O-Ring	19,18x2,46DIN3770V19	..O-ring	..Joint torique	..Junta tórica	
18	065158007	2	..SAE-Adapter	1 1/4" 90°	..Adapter SAE	..Adaptateur SAE	..Adaptador SAE	4.2 12535
19	042859002	2	..O-Ring	37,7x3,53DIN3770NB70	..O-ring	..Joint torique	..Junta tórica	
20	258583007	8	..Sechskantschraube	1/2"-13UNC x3 1/2"	..Hexagon head cap screw	..Vis à tête hexagonale	..Tornillo de cab.exagonal	
21	036983007	16	..Scheibe	13 DIN6916-C45	..Washer	..Rondelle	..Arandela	
22	042504001	-	..Stahlrohr	18x2,5 DIN2391Si37.4	..Steel pipe	..Tuyau d'acier	..Tubo de acero	
23	042900002	4	..Überwurfmutter	BO-M 18L	..Union nut	..Ecrou borgne	..Tuerca de unión	
24	044192000	4	..Druckring	BO-DR 18L	..Thrust ring	..Cône de serrage	..Aro de presión	
25	248370000	2	..Hydr.-Rückschlagventil	RSZ 18LM-WD SA5	..Hydr. check valve	..Soupape de retenue hydr.	..Válvula d.retención hidr.	
26	044073006	2	..Stutzen	EWSD 18L	..Connection	..Manchon	..Racor hidr.	
27	044138006	2	..Stutzen	RSWS 18LM	..Connection	..Manchon	..Racor hidr.	
28	257073000	1	..HDC-Regler		..Hydr. Displacem. Control	..Servo-régulateur HDC	..Regulador hidr. HDC	
29	271311007	1	..Dichtung		..Seal	..Joint	..Junta	
30	226978000	1	..O-Ring	12,42x1,78DIN3770NB9	..O-ring	..Joint torique	..Junta tórica	
31	271314004	1	..O-Ring	33,04x1,78 DIN3770NB	..O-ring	..Joint torique	..Junta tórica	
32	041099009	2	..O-Ring	12x2 DIN3770NB70	..O-ring	..Joint torique	..Junta tórica	
33	271310008	1	..O-Ring	16,36x2,21 DIN3770NB	..O-ring	..Joint torique	..Junta tórica	
34	044172004	4	..Stutzen	GES 12L/ 9/16-18UNF	..Connection	..Manchon	..Racor hidr.	
35	018075001	-	..Stahlrohr	8x1,5 DIN2391Si37.4	..Steel pipe	..Tuyau d'acier	..Tubo de acero	
36	044197005	4	..Überwurfmutter	BO-M 8L	..Union nut	..Ecrou borgne	..Tuerca de unión	



Guide to the Spare Parts List

English




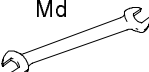
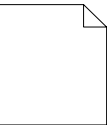
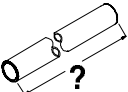


A90001-0207


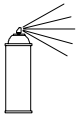
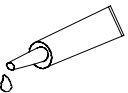







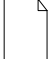
ЗАПЧАСТИ ДЛЯ БЕТОННАСОСОВ  
+79180710333

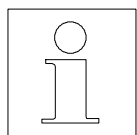
## Spare Parts Sheets Symbols

The following table explains the symbols used in the spare parts sheets:

	Item numbers with <b>i</b> are references to the information column
	Tightening torques Md in Newton meter (Nm)
	Refer to machine card for further details
	Quantity - as required The unit of measurement must be specified when ordering spare parts.
	Replace - do not reuse part
	Gasket set

	Not illustrated
	Activator
	Glue
	Sealing agent
	Lubrication
	Anti-seize compound

	Illustrated on another spare parts sheet (e.g. in EG 1.2)
	Notes on amendment control
	<b>23.5</b> 21 406-9205 Superseded New issue is valid.
	<b>23.5</b> 21 406-9205 Modified Machine-specific validity of the previous issue is maintained.



Guide to the Spare Parts List

English



A90001-0207



ЗАПЧАСТИ ДЛЯ БЕТОННАСОСОВ  
+79180710333



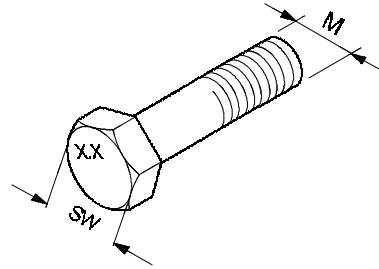
## General Tightening Torques

Tightening torques depend on bolt grade, thread friction and bolt head bearing area. The values given in the following tables are for guidance. These values should only be used if no other values are specified in the relevant sections of the Operating Instructions or in spare parts sheets.

The tables below give the maximum tightening torques  $M_d$  in Nm for a friction factor  $\mu_{tot} = 0.14$ , for a lightly-oiled or lightly-greased thread.

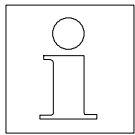
All tightening torques are multiplied by a factor of 1.1 for bolts with cement in the thread.

Set screws - metric triangular thread DIN 13, Part 13							
Dimensions [mm]		Tightening torque $M_d$ [Nm]			Tightening torque $M_d$ [Ft-Lb]		
M	SW	8.8	10.9	12.9	8.8	10.9	12.9
M 4	7	3.0	4.4	5.1	2.22	3.26	3.77
M 5	8	5.9	8.7	10	4.37	6.44	7.4
M 6	10	10	15	18	7.4	11.1	13.3
M 8	13	25	36	43	18.5	26.6	31.8
M 10	17	49	72	84	36.3	53.3	62.2
M 12	19	85	125	145	62.9	92.5	107
M 14	22	135	200	235	99.9	148	174
M 16	24	210	310	365	155	229	270
M 18	27	300	430	500	222	318	370
M 20	30	425	610	710	315	451	525
M 22	32	580	820	960	429	607	710
M 24	36	730	1050	1220	540	777	903
M 27	41	1100	1550	1800	814	1147	1332
M 30	46	1450	2100	2450	1073	1554	1813



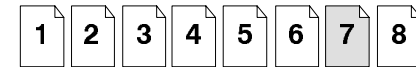
SW = Width across flats  
X.X = Grade 8.8, 10.9, 12.9

Set screws - metric precision thread DIN 13, Part 13							
Dimensions [mm]		Tightening torque $M_d$ [Nm]			Tightening torque $M_d$ [Ft-Lb]		
M	SW	8.8	10.9	12.9	8.8	10.9	12.9
M 8 × 1	13	27	39	46	19.98	28.86	34.0
M 10 × 1.25	17	52	76	90	38.48	56.24	66.6
M 12 × 1.25	19	93	135	160	68.82	99.9	118.4
M 12 × 1.5	19	89	130	155	65.86	96.2	114.7
M 14 × 1.5	22	145	215	255	107.3	159.1	188.7
M 16 × 1.5	24	225	330	390	166.5	244.2	288.6
M 18 × 1.5	27	340	485	570	251.6	358.9	421.8
M 20 × 1.5	30	475	680	790	351.5	503.2	584.6
M 22 × 1.5	32	630	900	1050	466.2	666	777
M 24 × 2	36	800	1150	1350	592	851	999
M 27 × 2	41	1150	1650	1950	851	1221	1443
M 30 × 2	46	1650	2350	2750	1221	1739	2035



Guide to the Spare Parts List

English



A90001-0207



ЗАПЧАСТИ ДЛЯ БЕТОННАСОСОВ  
+79180710333

## Parts and Service Assistance

Putzmeister America has someone available to answer questions regarding parts or service between 8:00 AM and 5:00 PM, Central Time, Mondays through Fridays. Putzmeister observes the standard U.S. National holidays of Good Friday, Memorial Day, Independence Day, Labor Day, Thanksgiving Day and the day after Thanksgiving, Christmas Eve Day, Christmas Day, and New Year's Day.

If you are calling to order parts, always have the model number and serial number of the machine, and have your parts book available. Parts should be ordered by part number whenever possible. Please direct all parts calls to the Parts Department.

If your call is of a service nature, you should also have the model and serial number of the machine, and the appropriate service manual with the electrical and hydraulic diagrams. If possible, place your call from a location where your call can be returned if necessary.

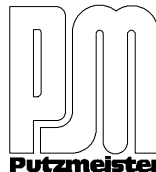
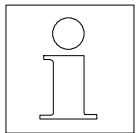
For your convenience, special telephone lines have been installed to handle Parts and Service calls 24 hours/day:

Phone: (Sturtevant). . . . (800) 890-0269  
(Sturtevant). . . . . (262) 886-3200  
Fax: (Sturtevant). . . . . (262) 884-7259

- Please include a Purchase Order number when ordering via fax.

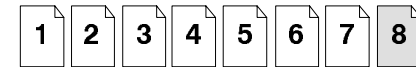
Putzmeister America Inc.

Phone (262) 886-3200  
(800) 884-7210  
Fax (262) 886-3212



Guide to the Spare Parts List

English



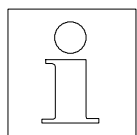
A90001-0207



ЗАПЧАСТИ ДЛЯ БЕТОННАСОСОВ  
+79180710333

## Indicaciones para la lista de partes de repuesto

Las secciones:	Comienzan en las páginas:
Lista de partes de repuesto	2
Polizas del departamento de ventas de partes de repuesto	2
Hojas de partes de repuesto	5
Símbolos de hojas de partes de repuesto	7
Momento de torsion general	8
Asistencia en partes de repuesto y servicio	9



Español

1 2 3 4 5 6 7 8 9 10 A90003-0207



ЗАПЧАСТИ ДЛЯ БЕТОННАСОСОВ  
+79180710333

## Lista de partes de repuesto


Según descrito en las instrucciones de servicio, con el manejo, mantenimiento y reparación sólo deben ser encargadas personas perfectamente instruidas. Hacer constar claramente los cometidos del personal.

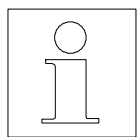
Sólo utilizando *partes de repuesto originales Putzmeister* tendrán Vds. la total garantía de un funcionamiento seguro de sus máquinas. En caso contrario, no asumimos ninguna responsabilidad.

La garantía y devolución de la máquina y partes de repuesto, quedan sujetas a nuestras condiciones de venta y suministro. (Por favor solicite una copia de estas condiciones del Departamento de Soporte Técnico "Putzmeister").

Todos los esquemas y descripciones contenidos en esta lista de partes de repuesto son sin compromiso y nos reservamos el derecho de modificaciones técnicas.

La divulgación del contenido de esta lista de partes de repuesto sin nuestro consentimiento previo, ni siquiera en extracto, queda terminantemente prohibido. Todas las indicaciones técnicas, esquemas, etc. están protegidas por la ley de propiedad intelectual. La lista de partes de repuesto sólo debe utilizarse para su fin previsto. La facilitación de la misma a terceros, especialmente a empresas de competencia, queda terminantemente prohibida. Por lo demás, quedan reservados todos los derechos, sobre todo el derecho del patentado.

© Copyright by 



## Polizas del departamento de ventas de partes de repuesto

### Condiciones de venta

Las siguientes condiciones aplican para todos los pedidos de partes de repuesto (incluyendo partes para reparaciones ordenadas para máquinas en garantía) que se coloquen a Putzmeister America Inc. La colocación de cualquier parte de repuesto constituye la aceptación de estas condiciones de venta y aplica igualmente para todos los clientes de Putzmeister America Inc.

#### 1. Plazo de Entrega:

La Compañía (Putzmeister America Inc.) se esforzará por cumplir con el suministro de sus productos en las fechas estipuladas en el contrato. El plazo de entrega, sin embargo, no es esencia del contrato y por lo tanto la Compañía no se responsabiliza por perjuicios directos o indirectos, o por pérdidas atribuibles a la falta de completar el suministro de partes en la fecha de entrega estipulada en el contrato.

Si por causas de fuerza mayor (incluyendo, pero no limitado a paros, huelgas, cierres, controversias enter industrias, incendios, accidentes, retrasos de materiales o defectos en materiales de subproveedores, daños en el transporte de materiales)

o por cualquier causa que esté fuera del control de la Compañía y ésta se ve impedida o se retrasa en el suministro de partes, se le deberá garantizar una prórroga razonable de la fecha o plazo de entrega.

#### 2. Cancelación:

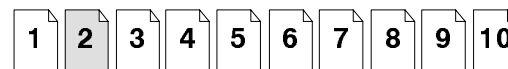
En caso de cancelación de un pedido por parte del comprador, la Compañía (Putzmeister America Inc.) se reserva el derecho de cobrar una indemnización razonable por costos de cancelación.

#### 3. Horario del Departamento de Ventas de Partes de Repuesto:

Nuestro Departamento de Ventas de Partes de Repuesto está abierto de 08:00 a.m. a 05:00 p.m. hora central, de lunes a viernes. Una máquina de fax y un contestador automático están disponibles para recibir sus pedidos durante 24 horas diarias y 365 días por año.



Indicaciones para la lista de partes de repuesto



Español

A90003-0207



ЗАПЧАСТИ ДЛЯ БЕТОННАСОСОВ  
+79180710333

## Polizas del departamento de ventas de partes de repuesto (continuación)

### 4. Horario de Despachos:

Todos los pedidos no almacenados, recibidos antes de las 03:00 p.m. hora local, se tramitarán el mismo día. (Todos los pedidos se despacharán lo más completo posible y por la vía de transporte ordenada por la persona que hace el pedido). Si usted solicita que el pedido sea despachado solo cuando esté completo, por favor infórmelo al representante de servicio al cliente y así el despacho se hará solo cuando todas las partes del pedido están completas. Cuando se reciban pedidos de retorno, el personal del Departamento de Partes lo contactará a usted para darle las instrucciones de despacho.

### 5. Formas de Transporte:

Recomendamos que nuestros clientes nos indiquen las formas de transporte deseadas y así la Compañía se ajustará a ellas lo máximo posible. Sin embargo, nosotros nos reservamos el derecho de usar otra forma de transporte si la requerida por el cliente no es conveniente.

Pedidos para carga aérea, "Puerta a Puerta" con el próximo vuelo y por vía bus Greyhound tendrán, por la entrega al terminal, un costo adicional de \$200,00 al costo de flete aéreo. Nota: Putzmeister no mantiene cuentas corrientes con todas las líneas aéreas. Si usted requiere que su pedido sea despachado por una vía especial de transporte, usted deberá informarnos su número de cuenta con dicho transportador.

### 6. Pedidos "Will Call":

Al momento de recibido un pedido "Will Call" (o tan pronto como posible después de recibido el pedido) el Departamento de Ventas de Repuestos de Putzmeister America Inc. fijará la fecha y hora en que las partes del pedido estarán listas para ser recogidas. Repuestos que se encuentran disponibles podrán ser recogidos el mismo día del pedido si el Departamento de Ventas de Partes y Repuestos recibe el pedido antes de las 04:00 p.m. hora local.

### 7. Partes Faltantes:

Reclamos por partes faltantes en los pedidos a Putzmeister America Inc., se deben hacer dentro de los cinco (5) días hábiles siguientes a la fecha de recibo del embarque.

### 8. Partes Descontinuadas:

Putzmeister America Inc. se reserva el derecho de discontinuar la fabricación de partes o de hacer cambios en el diseño de productos cubiertos en este acuerdo en cualquier momento, sin que con ello se incurra en obligación alguna con cualquier cliente, así se hayan o no aceptado o aprobado pedidos previamente.

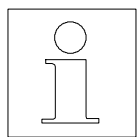
Muchos componentes usados en los equipos de Putzmeister son adquiridos por nosotros de subproveedores externos. Putzmeister America Inc., no asume responsabilidad por la revisión, discontinuidad o no disponibilidad de partes provenientes de dichos subproveedores externos.

### 9. Precios de Partes de Repuesto:

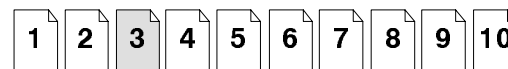
La lista de precios de partes de repuesto en forma de una libreta puede adquirirse gratis y por un costo mínimo en forma de diskette para empleo en computadoras compatibles con IBM. El precio de cada diskette es inicialmente de \$25,00 y por cada siguiente edición es de \$10,00 por cada diskette. Los precios de partes de repuesto quedan sujetos a cambios sin previo aviso y suplantarán las listas de precios publicados anteriormente.

### 10. Aceptación de los Productos:

El cliente aceptará el suministro en el punto de embarque de todos los productos pedidos y no podrá retornar ningún producto por ninguna razón, a no ser que haya obtenido antes una "Autorización de Devolución de Productos". Todas las devoluciones aprobadas deberán retornarse con fletes prepagados.



Indicaciones para la lista de partes de repuesto



Español

A90003-0207



ЗАПЧАСТИ ДЛЯ БЕТОННАСОСОВ  
+79180710333

## Polizas del departamento de ventas de partes de repuesto (continuación)

### 11. Costos de fletes a cargo del Cliente:

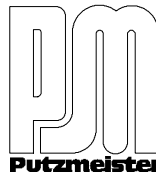
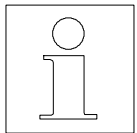
Todas las de partes de repuesto se venden F.O.B-Fábrica, con excepción de embarques expresos como UPS o Fedex o DHL. No se harán embarques de correo expreso fuera del territorio del expreso. Todos los costos de fletes por mercancía se pagarán al momento del embarque. Putzmeister America Inc. no asumirá a crédito costos de embarque, flete, inspección o correos de ningún embarque.

### 12. Intereses:

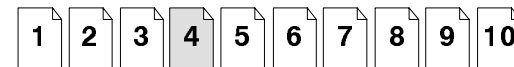
Se cobrarán intereses a la máxima tasa permitida por la ley sobre los pagos retrasados.

### 13. Línea "800" para Pedidos de Partes de Repuesto:

La línea telefónica gratuita "800" de Putzmeister America Inc., Departamento de Ventas de Partes de Repuesto, está a su servicio para hacer pedidos de repuestos. Los números de la línea telefónica gratuita "800" se encuentran en este manual en las secciones: "Introducción y Asistencia en Partes de Repuesto y Servicio".



Indicaciones para la lista de partes de repuesto



Español

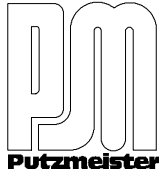
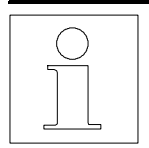
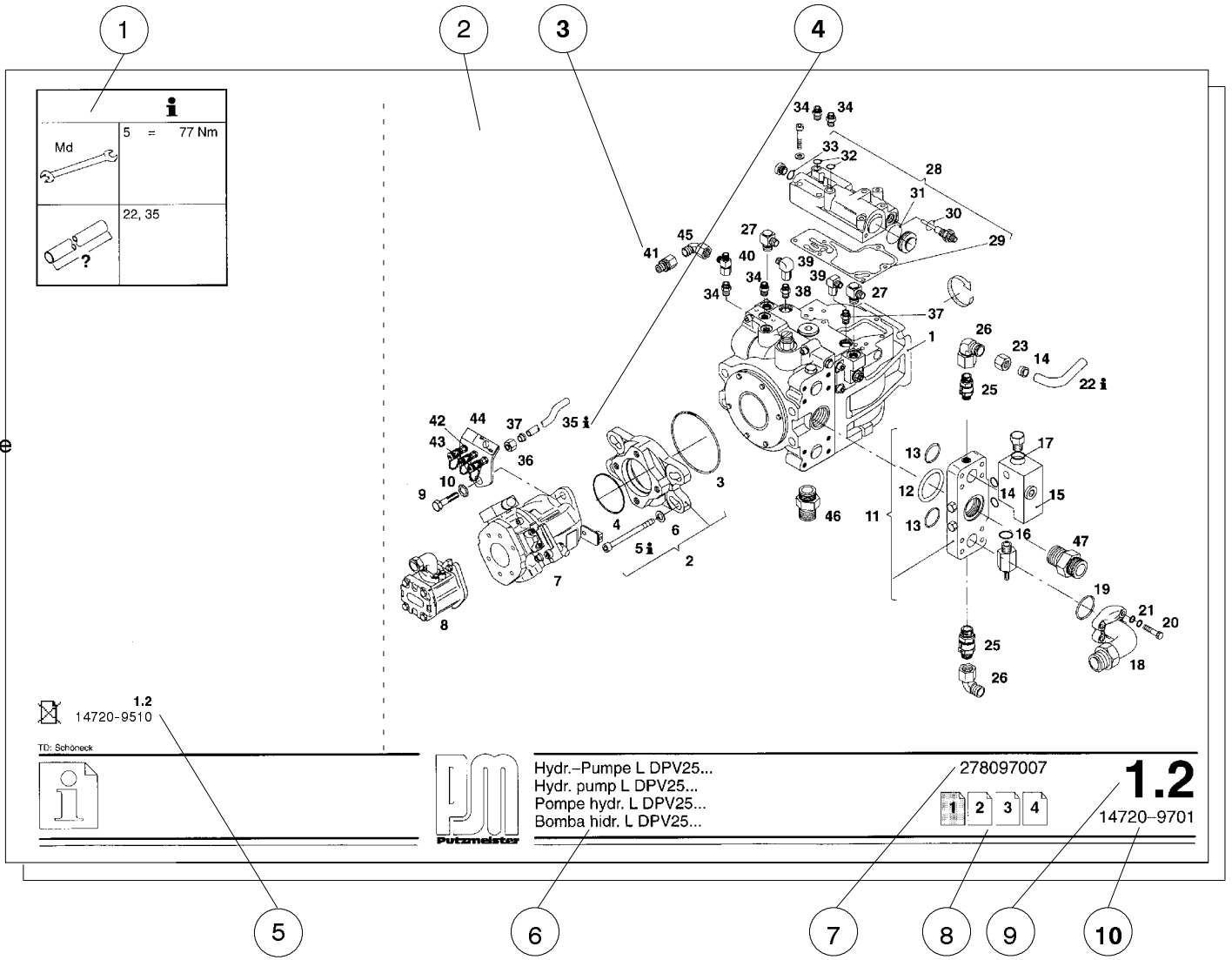
A90003-0207



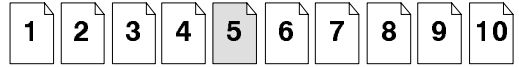
ЗАПЧАСТИ ДЛЯ БЕТОННАСОСОВ  
+79180710333

# Hojas de partes de repuesto

- ① Renglón de observaciones (Información adicional en forma de símbolos y señales)
- ② Ilustración de la pieza de repuesto
- ③ N° Posición de la pieza de repuesto
- ④ N° Posición de la pieza de repuesto con indicación sobre información adicional en el renglón de observaciones ①
- ⑤ Indicación adicional
- ⑥ Descripción del conjunto de partes de repuesto
- ⑦ Refª N° del conjunto de partes de repuesto
- ⑧ N° de hojas del conjunto de partes de repuesto
- ⑨ Conjunto de partes de repuesto (EG)
- ⑩ N° Hoja de partes de repuesto (EBN)



Indicaciones para la lista de partes de repuesto



**Español**

A90003-0207



**ЗАПЧАСТИ ДЛЯ БЕТОННАСОСОВ**  
**+79180710333**

## Hojas de partes de repuesto (continuación)

11 N° Posición de la pieza de repuesto

12 Refª N°

13 Cantidad

Si no está indicada la cantidad (« - ») deben indicar Vds. la cantidad necesaria y las dimensiones.

14 Descripción / Volumen de suministro

El texto al que le siguen uno o varios puntos indica el volumen de suministro de esta posición. Todas las piezas que siguen insertadas a continuación, entran en el volumen de suministro.

Ejemplos:

Posición 11:

Volumen de suministro posición 12, 13, 14, 15, 16, 17

Posición 15:

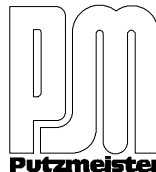
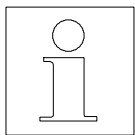
Volumen de suministro: posición 16, 17

11	257074009	1	. Spü
12	042688008	1	. . O-
13	042859002	2	. . O-R
14	272590005	2	. . O-R
15	278352001	1	. . Spü
16	226975003	1	. . . O-
17	272591004	2	. . . O

15 Dimensiones

16 Remisión al conjunto de partes de repuesto (EG) y n° de la hoja de partes de repuesto (EBN) donde puede encontrarse el repuesto con todos sus componentes

11	12	13	Deutsch	15	English	Français	Español	16
			Hydr.-Pumpe	L-DPV25...	Hydr. pump	Pompe hydr.	Bomba hidr.	
1	262533001	1	.Hydr.-Pumpe	L DPV25 90/130	.Hydr. pump	.Pompe hydr.	.Bomba hidr.	1.2 14273
2	273172008	1	.Durchtrieb	SAE-B	.Drive shaft	.Arbre d'entraînement	.Eje de accionamiento	
3	271452005	1	.O-Ring	158,4x2,62DIN3770V18	.O-ring	.Joint torique	.Junta tórica	
4	271454003	1	.O-Ring	101,32x1,78DIN377V18	.O-ring	.Joint torique	.Junta tórica	
5	271455002	4	.Zylinderschraube	M16x160 DIN912-12.9	.Cheese head screw	.Vis à tête cylindrique	.Tornillo cilíndrico rosca	
6	036981009	4	.Scheibe	17 DIN6916-C45	.Washer	.Rondelle	.Arandela	
7	265557000	1	.Hydr.-Pumpe	L A10V28(24)DR	.Hydr. pump	.Pompe hydr.	.Bomba hidr.	1.3 12493
8	235092003	1	.Hydr.-Pumpe	L 12cm <sup>3</sup>	.Hydr. pump	.Pompe hydr.	.Bomba hidr.	1.3 12407
9	042199005	2	.Sechskantschraube	3/8"-16 NC x1"	.Hexagon head cap screw	.Vis à tête hexagonale	.Tornillo de cab.exagonal	
10	036506002	2	.Sicherungsscheibe	VS10	.Lock washer	.Rondelle d'arrêt	.Arandela de seguridad	
11	257074009	1	.Spülblock		.Scavenging block	.Bloc de rinçage	.Bloque de lavado	
12	042688008	1	.O-Ring	47,22x3,53DIN3770NB9	.O-ring	.Joint torique	.Junta tórica	
13	042859002	2	.O-Ring	37,7x3,53DIN3770NB70	.O-ring	.Joint torique	.Junta tórica	
14	272590005	2	.O-Ring	16x2,5 DIN3770V190	.O-ring	.Joint torique	.Junta tórica	
15	278352001	1	.Spülblock		.Scavenging block	.Bloc de rinçage	.Bloque de lavado	
16	226975003	1	.O-Ring	23,47x2,95DIN3770NB9	.O-ring	.Joint torique	.Junta tórica	
17	272591004	2	.O-Ring	19,18x2,46DIN3770V19	.O-ring	.Joint torique	.Junta tórica	
18	065158007	2	.SAE-Adapter	1 1/4" 90°	.Adapter SAE	.Adaptateur SAE	.Adaptador SAE	4.2 12535
19	042859002	2	.O-Ring	37,7x3,53DIN3770NB70	.O-ring	.Joint torique	.Junta tórica	
20	258583007	8	.Sechskantschraube	1/2"-13UNC x3 1/2"	.Hexagon head cap screw	.Vis à tête hexagonale	.Tornillo de cab.exagonal	
21	036983007	16	.Scheibe	13 DIN6916-C45	.Washer	.Rondelle	.Arandela	
22	042504001	-	.Stahlrohr	18x2,5 DIN2391Si37.4	.Steel pipe	.Tuyau d'acier	.Tubo de acero	
23	042900002	4	.Überwurfmutter	BO-M 18L	.Union nut	.Ecrou borgne	.Tuerca de unión	
24	044192000	4	.Druckring	BO-DR 18L	.Thrust ring	.Cône de serrage	.Aro de presión	
25	248370000	2	.Hydr.-Rückschlagventil	RSZ 18LM-WD SA5	.Hydr. check valve	.Soupape de retenue hydr.	.Válvula d.retención hidr.	
26	044073006	2	.Stutzen	EWSD 18L	.Connection	.Manchon	.Racor hidr.	
27	044138006	2	.Stutzen	RSWS 18LM	.Connection	.Manchon	.Racor hidr.	
28	257073000	1	.HDC-Regler		.Hydr. Displacem. Control	.Servo-régulateur HDC	.Regulador hidr. HDC	
29	271311007	1	.Dichtung		.Seal	.Joint	.Junta	
30	226978000	1	.O-Ring	12,42x1,78DIN3770NB9	.O-ring	.Joint torique	.Junta tórica	
31	271314004	1	.O-Ring	33,04x1,78 DIN3770NB	.O-ring	.Joint torique	.Junta tórica	
32	041099009	2	.O-Ring	12x2 DIN3770NB70	.O-ring	.Joint torique	.Junta tórica	
33	271310008	1	.O-Ring	16,36x2,21 DIN3770NB	.O-ring	.Joint torique	.Junta tórica	
34	044172004	4	.Stutzen	GES 12L/ 9/16-18UNF	.Connection	.Manchon	.Racor hidr.	
35	018075001	-	.Stahlrohr	8x1,5 DIN2391Si37.4	.Steel pipe	.Tuyau d'acier	.Tubo de acero	
36	044197005	4	.Überwurfmutter	BO-M 8L	.Union nut	.Ecrou borgne	.Tuerca de unión	
					Hydr.-Pumpe L DPV25... Hydr. pump L DPV25... Pompe hydr. L DPV25... Bomba hidr. L DPV25...	278097007		<b>1.2</b> 14720-9701



Indicaciones para la lista de partes de repuesto



Español

A90003-0207


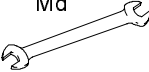
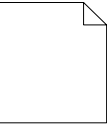
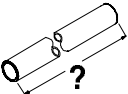





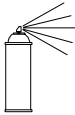
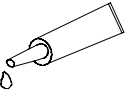
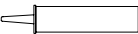


ЗАПЧАСТИ ДЛЯ БЕТОННАСОСОВ  
+79180710333



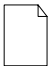


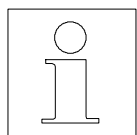
## Símbolos de hojas de partes de repuesto

En la tabla adjunta se encuentran los símbolos utilizados en las hojas de partes de repuesto y su significado.

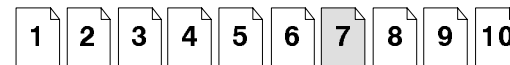
	Nº Posición ( <b>i</b> = véase renglón de observaciones)
	Pares de apriete Md en Nm
	Indicaciones, véase ficha de máquina
	Cantidad - Sobre demanda (imprescindible indicar en su pedido de repuestos)
	Pieza sustituida no volver a utilizar
	Juego de juntas

	Sin ilustración
	Activador
	Pegamento
	Material de junta
	Engrase
	Pasta antigripado

	En otra hoja de partes de repuesto aparte (p.ej. en EG 1.2)
	Indicaciones adicionales
	<b>23.5</b> 21 406-9205 Sustitución La última edición es válida.
	<b>23.5</b> 21 406-9205 Modificación La edición antigua mantiene su validez para las máquinas a que se refiere.



Indicaciones para la lista de partes de repuesto



Español

A90003-0207



ЗАПЧАСТИ ДЛЯ БЕТОННАСОСОВ  
+79180710333

## Momento de torsion general

El par de apriete a aplicar en cada caso depende de la calidad del tornillo, de la fricción de la rosca y de la superficie de apoyo de la cabeza del tornillo. Los valores que figuran en la tablas siguiente son orientativos. Sólo son válidos si en el capítulo

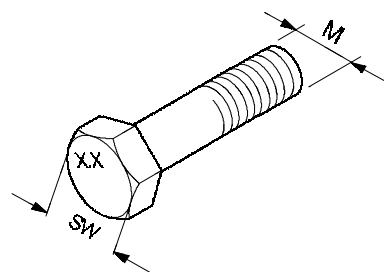
respectivo de las instrucciones de servicio o en las hojas de partes de repuesto no se indican valores distintos.

Las tablas siguientes reflejan los pares de apriete máximos  $M_d$  en Nm para un índice de fricción  $m_{tot} =$

0,14, con la rosca ligeramente lubricada con aceite o grasa.

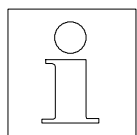
A los tornillos con adhesivo microencapsulado se aplicarán los pares de apriete indicados multiplicados por 1,1.

Tornillo exagonal - Rosca métrica regular DIN 13, hoja 13							
Dimensiones [mm]		Par de apriete $M_d$ [Nm]			Par de apriete $M_d$ [Ft-Lb]		
M	SW	8.8	10.9	12.9	8.8	10.9	12.9
M 4	7	3.0	4.4	5.1	2.22	3.26	3.77
M 5	8	5.9	8.7	10	4.37	6.44	7.4
M 6	10	10	15	18	7.4	11.1	13.3
M 8	13	25	36	43	18.5	26.6	31.8
M 10	17	49	72	84	36.3	53.3	62.2
M 12	19	85	125	145	62.9	92.5	107
M 14	22	135	200	235	99.9	148	174
M 16	24	210	310	365	155	229	270
M 18	27	300	430	500	222	318	370
M 20	30	425	610	710	315	451	525
M 22	32	580	820	960	429	607	710
M 24	36	730	1050	1220	540	777	903
M 27	41	1100	1550	1800	814	1147	1332
M 30	46	1450	2100	2450	1073	1554	1813

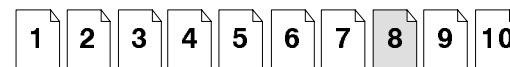


SW = Ancho llave  
X.X = Categoría de calidad  
8.8, 10.9, 12.9

Tornillo exagonal - Rosca métrica fina DIN 13, hoja 13							
Dimensiones [mm]		Par de apriete $M_d$ [Nm]			Par de apriete $M_d$ [Ft-Lb]		
M	SW	8.8	10.9	12.9	8.8	10.9	12.9
M 8 × 1	13	27	39	46	19.98	28.86	34.0
M 10 × 1.25	17	52	76	90	38.48	56.24	66.6
M 12 × 1.25	19	93	135	160	68.82	99.9	118.4
M 12 × 1.5	19	89	130	155	65.86	96.2	114.7
M 14 × 1.5	22	145	215	255	107.3	159.1	188.7
M 16 × 1.5	24	225	330	390	166.5	244.2	288.6
M 18 × 1.5	27	340	485	570	251.6	358.9	421.8
M 20 × 1.5	30	475	680	790	351.5	503.2	584.6
M 22 × 1.5	32	630	900	1050	466.2	666	777
M 24 × 2	36	800	1150	1350	592	851	999
M 27 × 2	41	1150	1650	1950	851	1221	1443
M 30 × 2	46	1650	2350	2750	1221	1739	2035



Indicaciones para la lista de partes de repuesto



Español

A90003-0207



ЗАПЧАСТИ ДЛЯ БЕТОННАСОСОВ  
+79180710333

## Asistencia en partes de repuesto y servicio

Putzmeister America Inc. tiene a alguien disponible para contestar preguntas respecto a partes de repuesto o a servicio entre 08:00a.m. y 05:00 p.m. hora central de lunes a viernes. Putzmeister America Inc, mantiene los siguientes días festivos: Good Friday (Viernes Santo), Memorial Day (Día de la Conmemoración), Independence Day (Día de la Independencia), Labor Day (Día del Trabajo), Thanksgiving Day (Día de Acción de Gracias y el día siguiente), Christmas Eve Day (Noche de Navidad), Christmas Day (Primer Día de Navidad), y New Year's Day (Año Nuevo: 1. de Enero).

Al momento de llamar para pedir partes de repuesto, favor indicar siempre el nombre del Modelo y No. de Serie de la máquina y tenga a mano el manual de partes de repuesto.

Los repuestos se piden por el Parte-No. siempre que sea posible. Por favor dirígase siempre al Departamento de Partes de Repuesto.

Si su llamada se relaciona con algún servicio, deberá usted también indicar el nombre del Modelo, No. de Serie de la máquina y disponer del correspondiente manual de servicio con los planos eléctricos y diagramas hidráulicos.

En lo posible trate de llamar desde un sitio a donde se le pueda retornar la llamada telefónica, si es necesario.

Putzmeister America Inc.

Teléfono (262) 886-3200  
(800) 884-7210

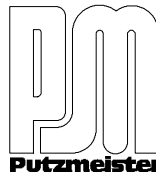
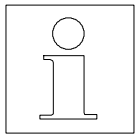
Fax (262) 886-3212

Para su conveniencia, se han instalado líneas telefónicas especiales para tratar las llamadas en partes de repuesto y servicio durante 24 horas diarias:

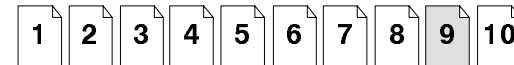
Teléfono: (Sturtevant). . . . (800) 890-0269  
(Sturtevant). . . . (262) 886-3200

Fax: (Sturtevant). . . . (262) 884-7259

- Por favor incluya el número de Orden de Compra cuando haga los pedidos por fax



Indicaciones para la lista de partes de repuesto

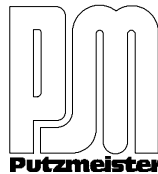
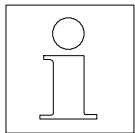


Español

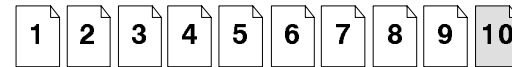
A90003-0207



ЗАПЧАСТИ ДЛЯ БЕТОННАСОСОВ  
+79180710333



Indicaciones para la lista  
de partes de repuesto

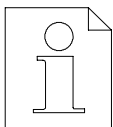
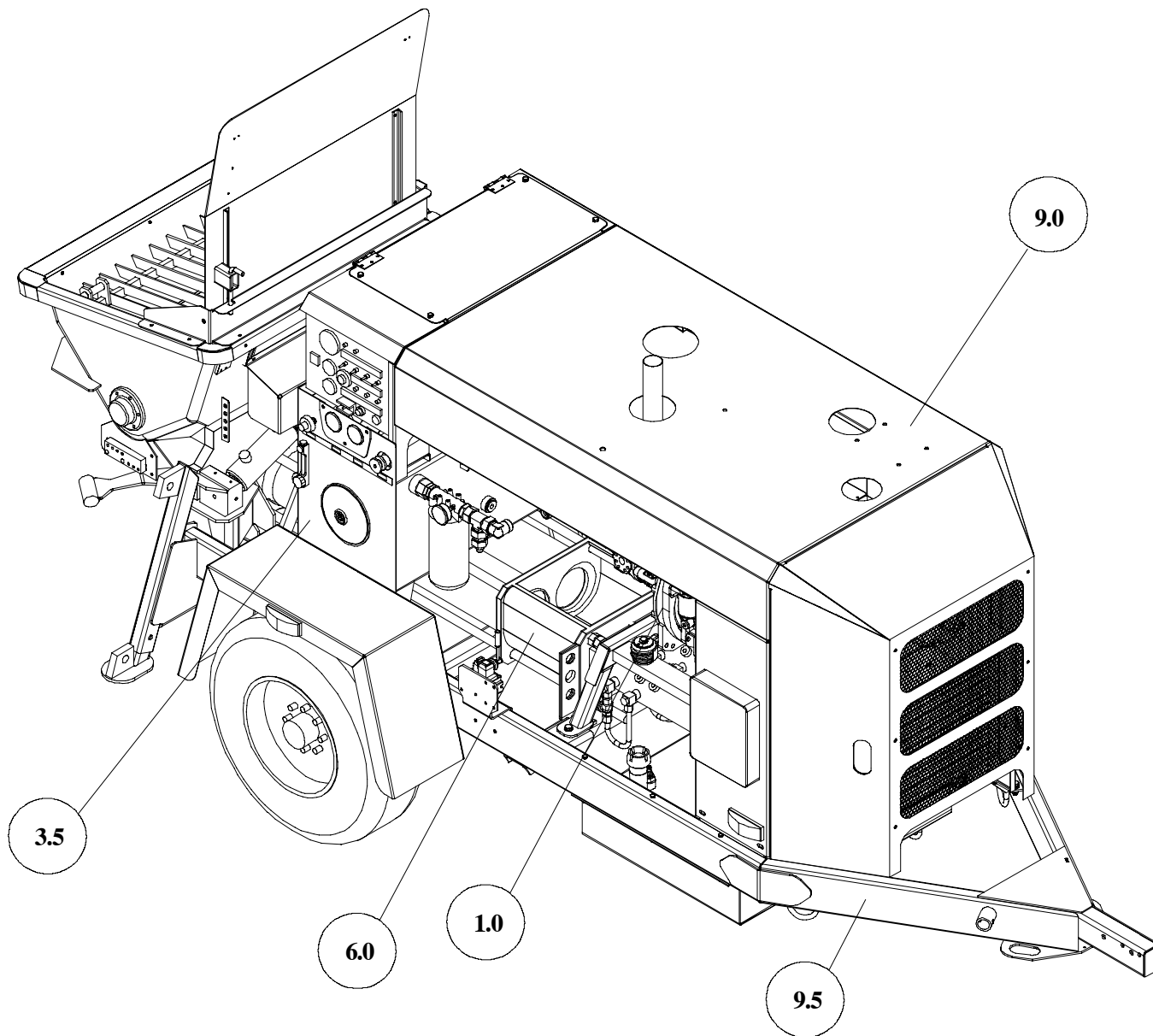


Español

A90003-0207



ЗАПЧАСТИ ДЛЯ БЕТОННАСОСОВ  
+79180710333



TK40 GROUP SUMMARY

A700086C



**0.1**

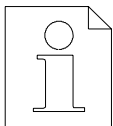
A91241-0505



ЗАПЧАСТИ ДЛЯ БЕТОННАСОСОВ  
+79180710333

A700086C  
1.0 A91242 A730031 1  
3.5 A91234 A014030 1  
6.0 A91209 A710037 1  
9.0 A91226 A530126 1  
9.5 A91225 A720040 1

TK40  
ENGINE ASSEMBLY  
HYDRAULIC TANK ASSEMBLY  
FLATPACK ASSEMBLY  
FINAL ASSY  
TRAILER ASSY  
BF4L2011  
TK D08 HYDAC SINGLE  
150X1000, RS457A  
1143W, SINGLE TORSION



Putzmeister

TK40 GROUP SUMMARY

A700086C

0.1



A91241-0505

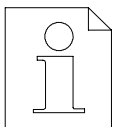
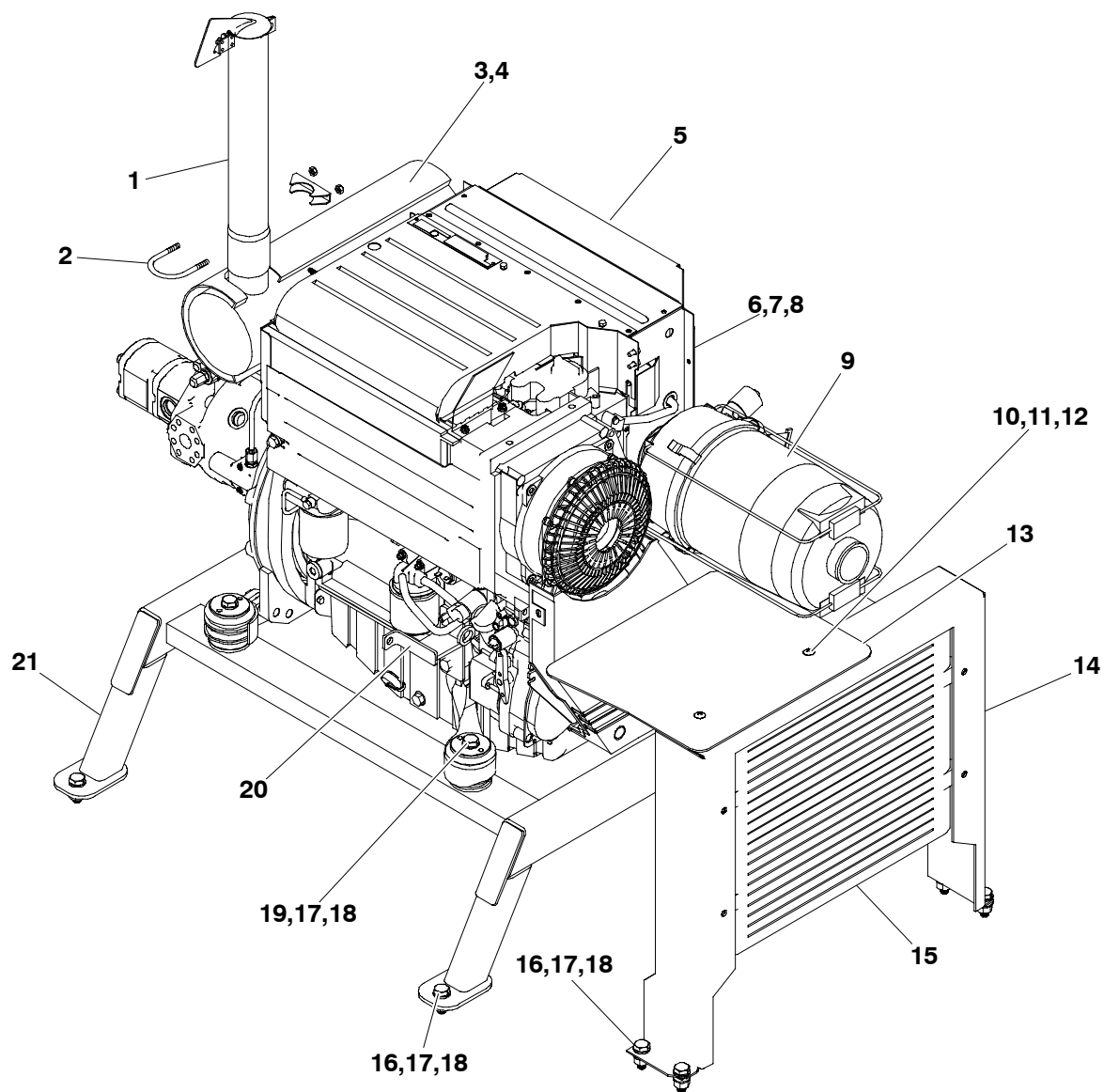


ЗАПЧАСТИ ДЛЯ БЕТОННАСОСОВ  
+79180710333



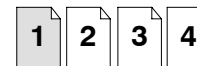
22,23,24,25

(1-25)  
0



TK40/15HP ENGINE INSTALLATION/DRIVE UNIT  
(BF4L2011 + HA10V071, 50HP)

A730031



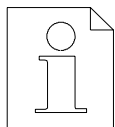
**01.0**

A91242-0505



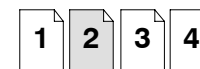
ЗАПЧАСТИ ДЛЯ БЕТОННАОБОРОТ  
+79180710333

0	A730031	1	ENGINE INSTALLATION	TK40/TK15HP
1	A950072	1	.EXHAUST PIPE	
2	A950031	1	.EXHAUST CLAMP	2-1/2"
3	A950063	1	.EXHAUST KIT	
4	A950038	1	..MUFFLER BF4L1011F/2011	
5	A400241	1	.GUARD	TURBO SIDE
6	A011095	1	.ENGINE	DEUTZ BF4L2011
7	AT318921	1	..FUEL FILTER	DEUTZ BF4L1011/2011
8	AT318922	1	..OIL FILTER	DEUTZ BF4L1011/2011
9	A950037	1	..AIR CLEANER	
10	A971200	2	..SCREW PH TRUSS HEAD	5/16-18X3/4"ZP
11	A971283	2	.WASHER FLAT	5/16 SAE ZP
12	A971166	2	.NUT TOP LOCK	5/16-18 GRB CADW
13	A920045	1	.AIR DELECTOR	
14	A920001	1	.BRKT HY COOLER MTG	
15	066368003	1	.OIL COOLER CPL	12V
16	AT301031	8	.HHCS	1/2-13 X 1-1/2" GR.5 ZP
17	AT302564	24	.WASHER FLAT	1/2 SAE CP
18	A971168	12	.NUT TOP LOCK	1/3-13 GR.B CADWX
19	AT301306	4	.HHCS	1/2-13 X 4" GR.5 ZP
20	AT139978	1	.THROTTLE BRKT	
21	A001104	1	.MTG BRKT	BF4L2011
22	A051127	1	.HARNESS ENGINE	BF4L1011F
23	A001684	1	.BRKT AIR CLEANER	BF4L2011F
24	AT517502	1	.BALL JOINT	
25	AT317547	1	.THROTTLE CONTROL CABLE	83" LG



TK40/15HP ENGINE INSTALLATION/DRIVE UNIT  
(BF4L2011 + HA10V071, 50HP)

A730031



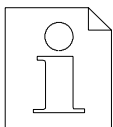
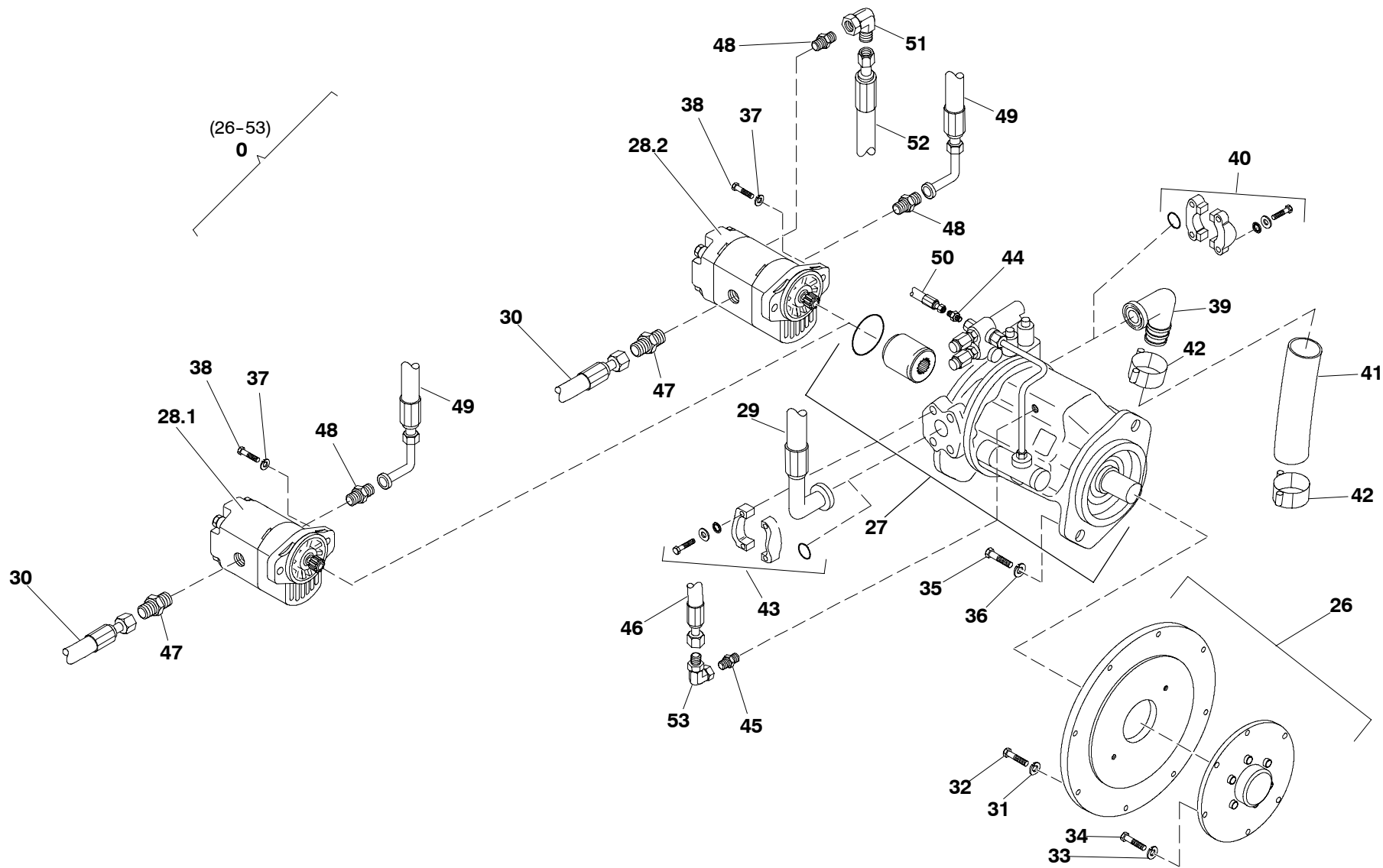
**01.0**

A91242-0505



ЗАПЧАСТИ ДЛЯ БЕТОННАСОСОВ  
+79180710333





TK40/15HP ENGINE INSTALLATION/DRIVE UNIT  
(BF4L2011 + HA10V071, 50HP)

A730031



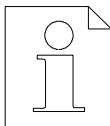
**01.0**

A91242-0505



ЗАПЧАСТИ ДЛЯ БЕТОННАСОСОВ  
+79180710333

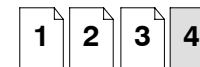
26	AT311596	1	.PUMP DRIVE KIT	123587	
27	A012029	1	.HYD PUMP	HA10VO71 50HP	1.2-A90193
28.1	A013023	1	.HYD GEAR PUMP	11CC SAE-A	1.3-A91214
28.2	A013024	1	.HYD GEAR PUMP	8/11CC SAE-A	1.3-A91216
29	A041455	1	.HY-HOSE	25S-16FL90 X 900	
30	A041470	1	.HY-HOSE	25S-30S X 900	
31	036106004	8	.WASHER LOCK	M10 DIN127-B	
32	032358005	8	.HHCS	M10 X 30 DIN933-8	
33	036505003	6	.WASHER LOCK	8 ZP	
34	031830003	6	.SHCS	M8 X 20 DIN912-8	
35	AT301046	2	.HHCS	5/8-11 X 1 1/2 GR.5 ZP	
36	AT302521	2	.WASHER LOCK	5/8 ZP	
37	036506002	2	.WASHER LOCK	M10 GALV RIBBED	
38	A971145	2	.SHCS	M10 X 25 DIN6912-8.8	
39	A041127	1	.SUCTION ELBOW	A10VO71	
40	AT312318	1	.SPLIT FLANGE KIT	2" CODE 61	
41	AT307121	1	.SUCTION HOSE	3" WIRE REINF.	
42	AT307522	2	.HOSE CLAMP	3 1/2"	
43	A041096	1	.FLANGE HALF SET	16 CFHS	
44	044032005	1	.COUPLING	GES 8L/7/16 20UNF	
45	044033004	1	.COUPLING	GES 18L/7/8 14UNF	
46	A041469	1	.HY-HOSE	18L90-18L90 X 750	
47	044034003	1	.COUPLING	GES 25S / 1 1/16-12UN	
48	A312104	2	.FITTING	10MB-15L	
49	A041432	1	.HY-HOSE	15L-15L90 X 650	
50	A041626	1	.HY-HOSE	8L-8L90 X 780	
51	044072007	1	.COUPLING	EWSD 15L	
52	A041430	1	.HY-HOSE	15L X 1600	
53	044073006	1	.COUPLING	EWSD 18L	



Putzmeister

TK40/15HP ENGINE INSTALLATION/DRIVE UNIT  
(BF4L2011 + HA10V071, 50HP)

A730031

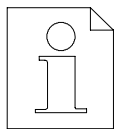
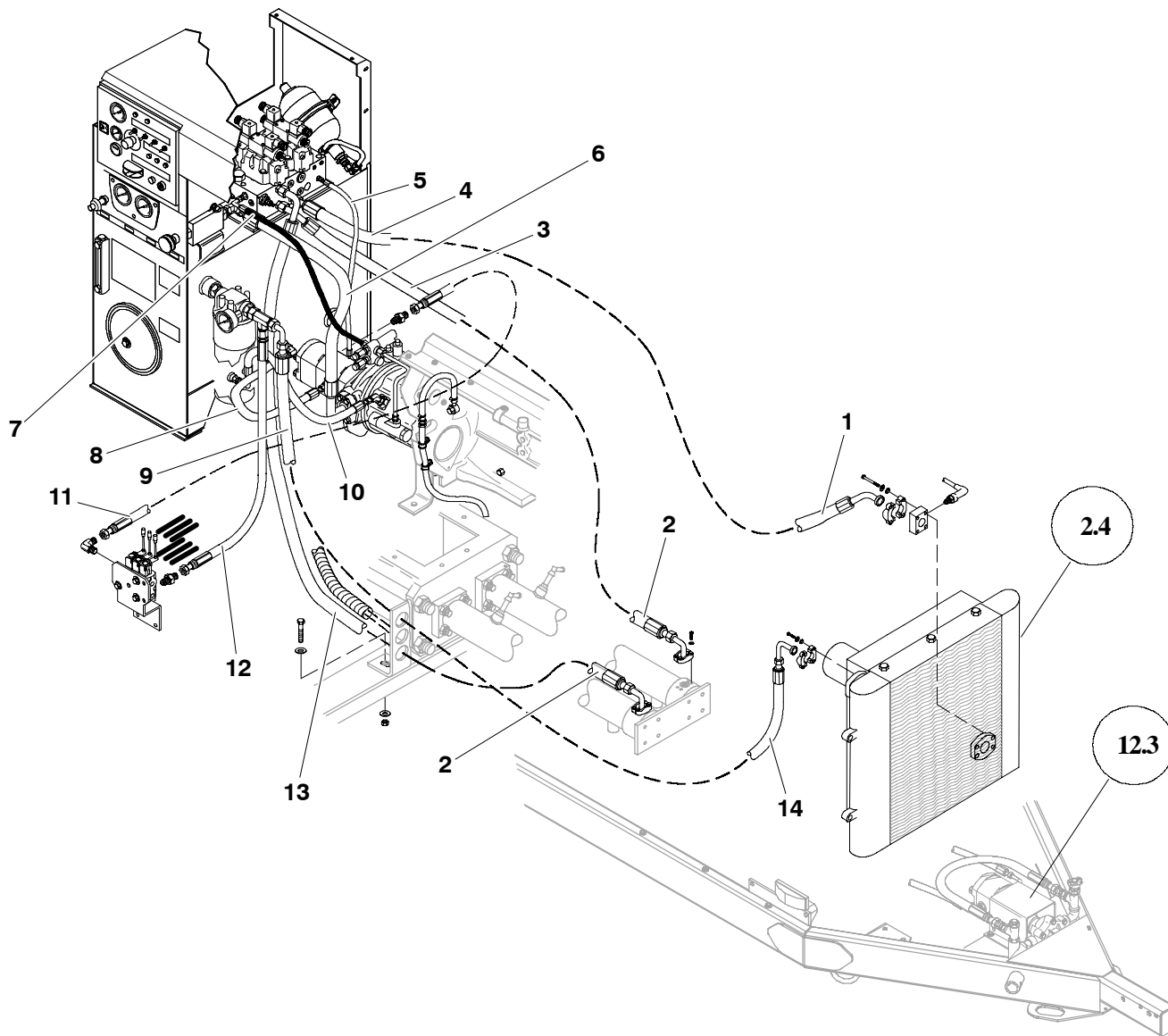
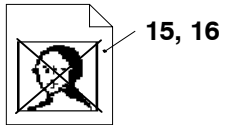


**01.0**

A91242-0505



ЗАПЧАСТИ ДЛЯ БЕТОННАСОСОВ  
+79180710333



TK40 HY-HOSE KIT

A041602



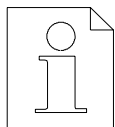
1.0

A91243-0505



ЗАПЧАСТИ ДЛЯ БЕТОННАСОСОВ  
+79180710333

0	A041602	1	HY-HOSE KIT	TK40
1	A041530	1	.HY- HOSE	25S-20FL 30M X 1250
2	A041440	2	.HY- HOSE	25S-16FL 90 X 1275
3	A041605	1	.HY- HOSE	25S-30S 90 X 1100
4	A041606	1	.HY- HOSE	25S-30S X 940
5	A041432	1	.HY- HOSE	15L-15L 90 X 650
6	A041455	1	.HY- HOSE	25S-16FL90 X 900
7	A041468	1	.HY- HOSE	8L-8L 90 X 720
8	A041470	1	.HY- HOSE	25S-30S X 900
9	A041458	1	.HY- HOSE	25S-30S X 700
10	A041469	1	.HY- HOSE	18L90-18L90 X 750
11	A041430	1	.HY- HOSE	15L X 1600
12	A041584	1	.HY- HOSE	15L X 900
13	A041604	1	.HY- HOSE	25S-30S 90 X 1150
14	A041531	1	.HY- HOSE	25S-20FL 90M X 1500
15	A041434	1	.HY- HOSE	18L-18L 90 X 600 HP
16	A041435	1	.HY- HOSE	18L-18L 90 X 800



TK40 HY-HOSE KIT

A041602

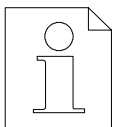
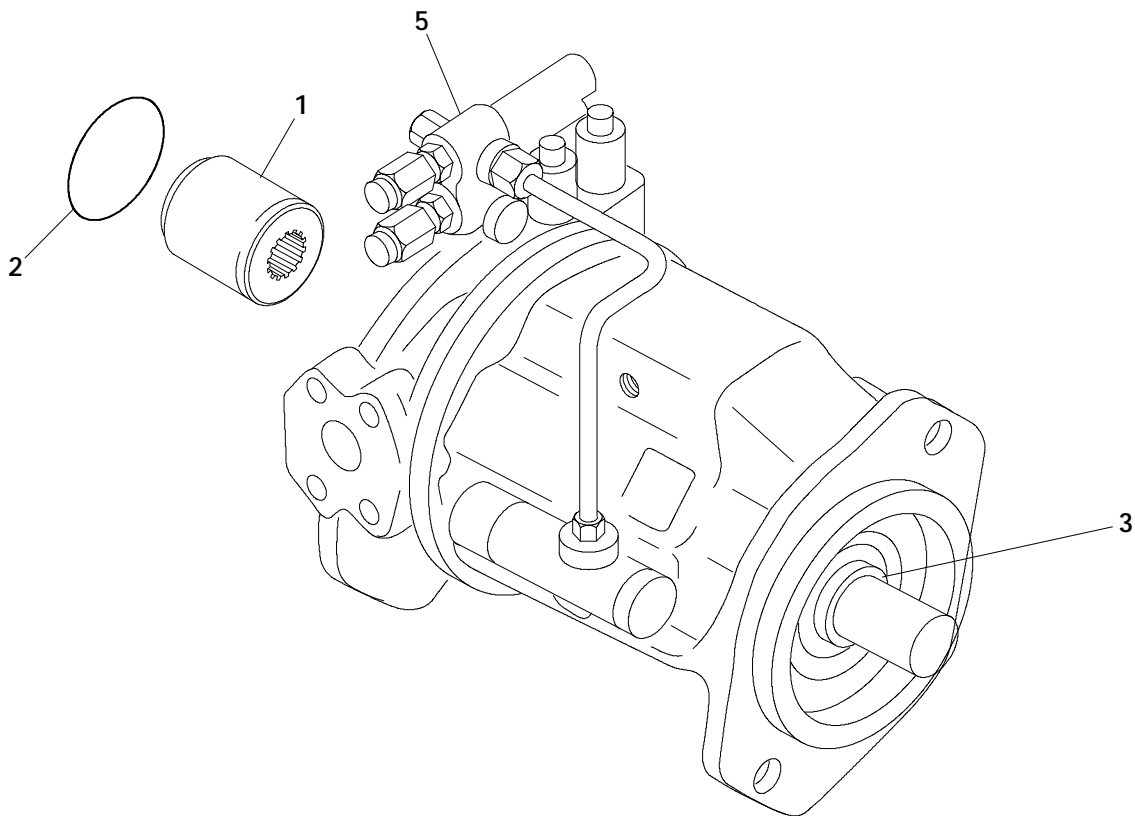
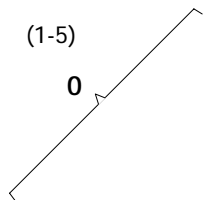
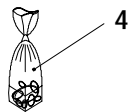


**1.0**

A91243-0505



**ЗАПЧАСТИ ДЛЯ БЕТОННАСОСОВ**  
+79180710333



HYDRAULIC PUMP (H-A10VO71, 50HP)

A012029



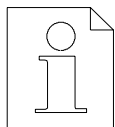
1.2

A90193-0310



ЗАПЧАСТИ ДЛЯ БЕТОННОВОЗОВ  
+79180710333

0	A012029	1	HYDRAULIC PUMP	HA10VO71, 50HP (TK40)
1	A011091	1	.COUPLING	A10VO71 W/K01
2	A099042	1	.O-RING	85X3 N80
3	A320525	1	.SHAFT SEAL	A10VO71
4	A320506	1	.SEAL KIT	A10VO71
5	069146002	1	.CONTROL VALVE	DFR1



HYDRAULIC PUMP (H-A10VO71, 50HP)

A012029

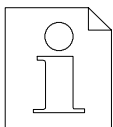
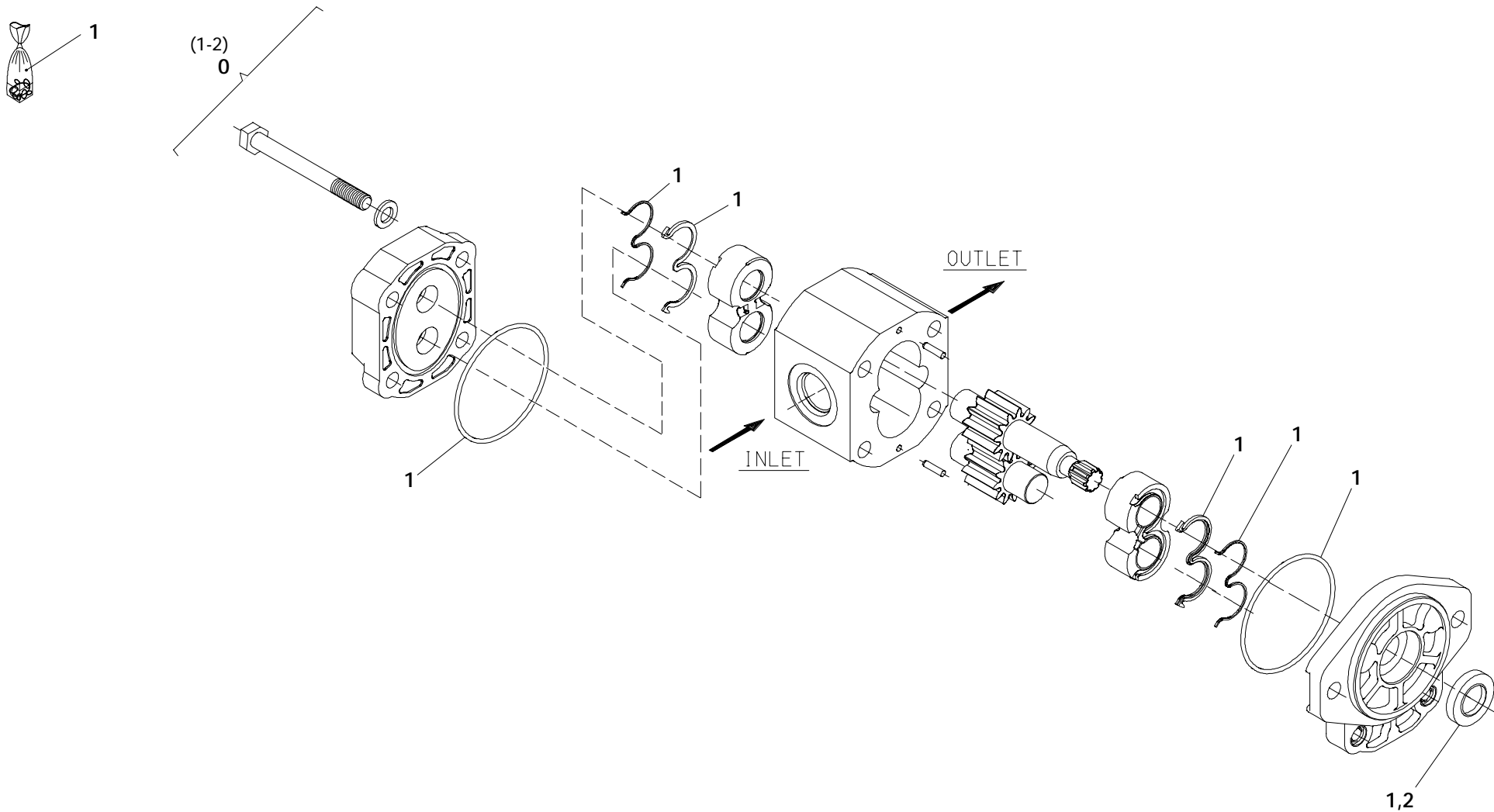


1.2

A90193-0310



ЗАПЧАСТИ ДЛЯ БЕТОННАСОСОВ  
+79180710333



HYD GEAR PUMP 11CC SAE-A

A013023



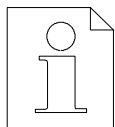
1.3

A91214-0311



ЗАПЧАСТИ ДЛЯ БЕТОННАСОСОВ  
+79180710333

0	A013023	1	HYD GEAR PUMP	11CC SAE-A
1	A099044	1	.SEAL KIT	
2	A099046	1	..SHAFT SEAL	



Putzmeister

HYD GEAR PUMP 11CC SAE-A

A013023



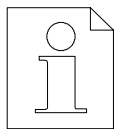
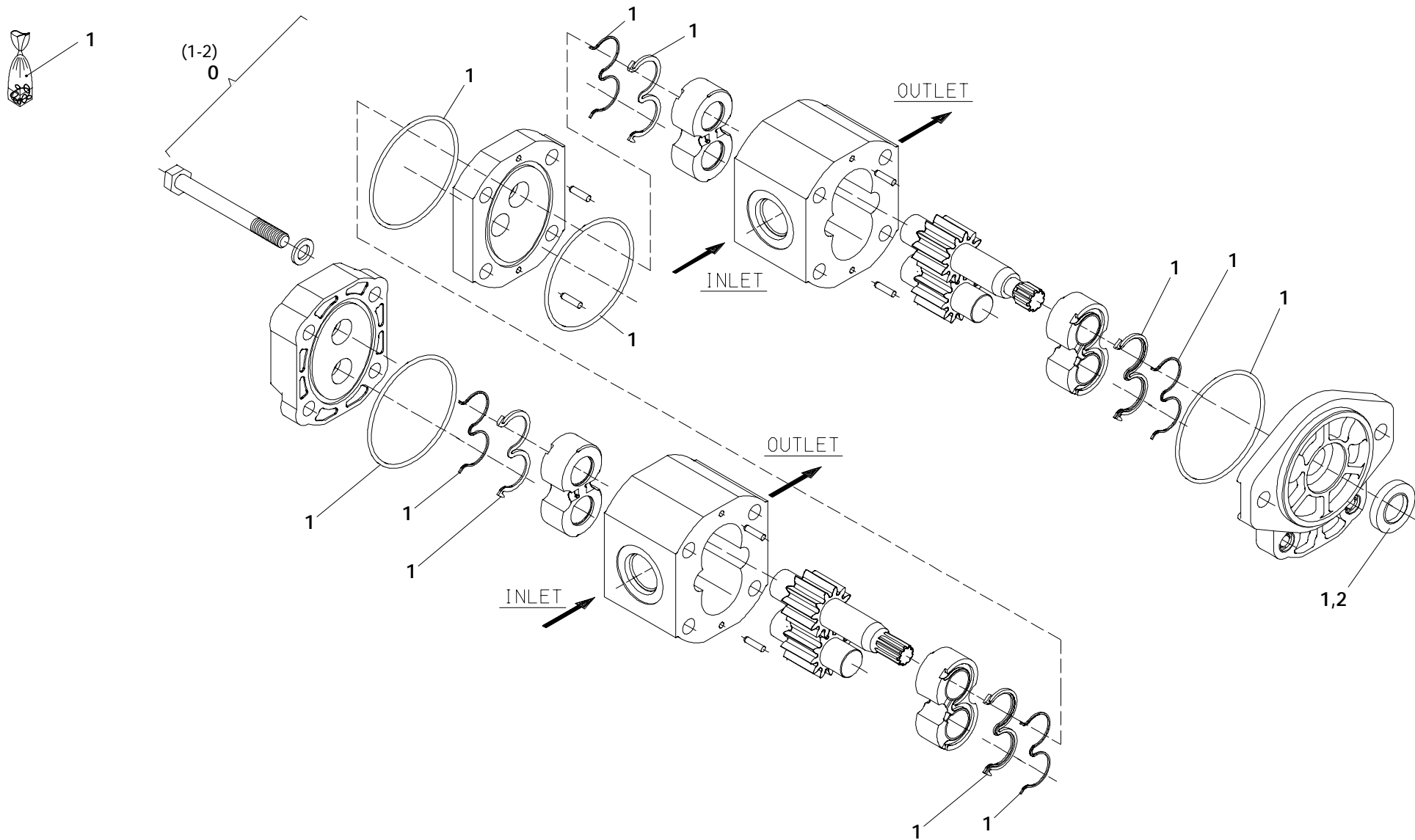
1.3

A91214-0311



ЗАПЧАСТИ ДЛЯ БЕТОННАСОСОВ  
+79180710333





HYD GEAR PUMP 8/11CC SAE-A

A013024



1.3

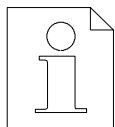
A91216-0311



ЗАПЧАСТИ ДЛЯ БЕТОННОВОДОСОВ  
+79180710333

0	A013024	1	HYD GEAR PUMP
1	A099045	1	..SEAL KIT
2	A099046	1	..SHAFT SEAL

8/11CC SAE-A



Putzmeister

HYD GEAR PUMP 8/11CC SAE-A

A013024



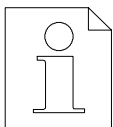
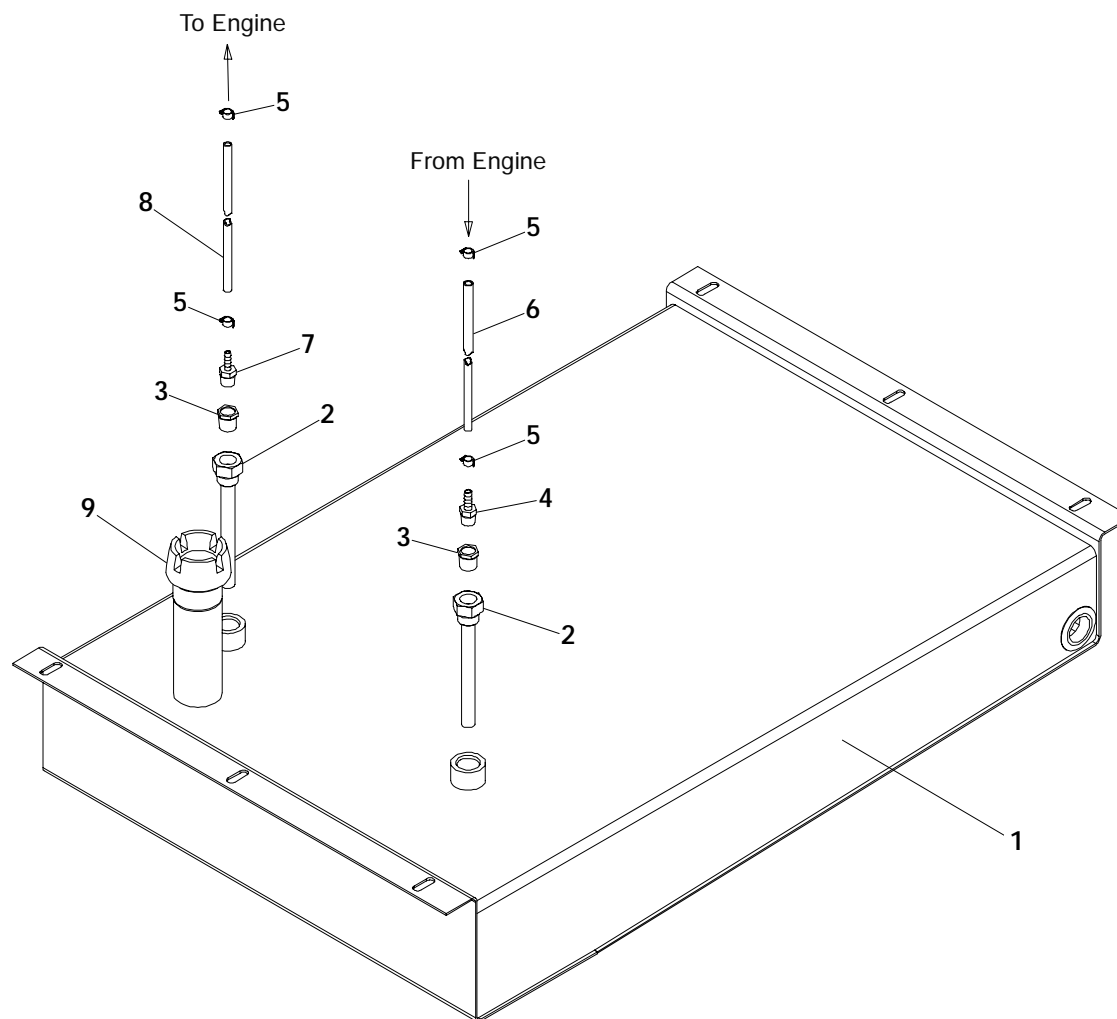
1.3

A91216-0311



ЗАПЧАСТИ ДЛЯ БЕТОННАСОСОВ  
+79180710333

(1-9)



FUEL COMPONENTS BF4L2011

A017049



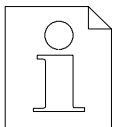
1.7

A91218-0411



ЗАПЧАСТИ ДЛЯ БЕТОННАСОСОВ  
+79180710333

0	A017049		FUEL COMPONENTS BF4L2011	
1	A017038	1	FUEL TANK	26 GAL
2	A017040	2	SUCTION TUBE	8FP-12MB-5/8"ODX165
3	AT508359	2	.FITTING	8MP-6FP
4	AT307253	1	.FITTING	1/4" HOSE BARB -6MP STD
5	AT307383	4	.HOSE CLAMP	#04 MINI 3/16"-5/16"
6	AT307056	4FT	.FUEL HOSE	1/4"ID
7	A043089	1	.FITTING	5/16" HOSE BARB -6MP STD
8	AT307184	3FT	.FUEL HOSE	5/16"ID
9	A017047	1	FUEL CAP DIESEL W/GAUGE	



FUEL COMPONENTS BF4L2011

A017049

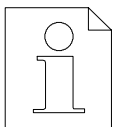
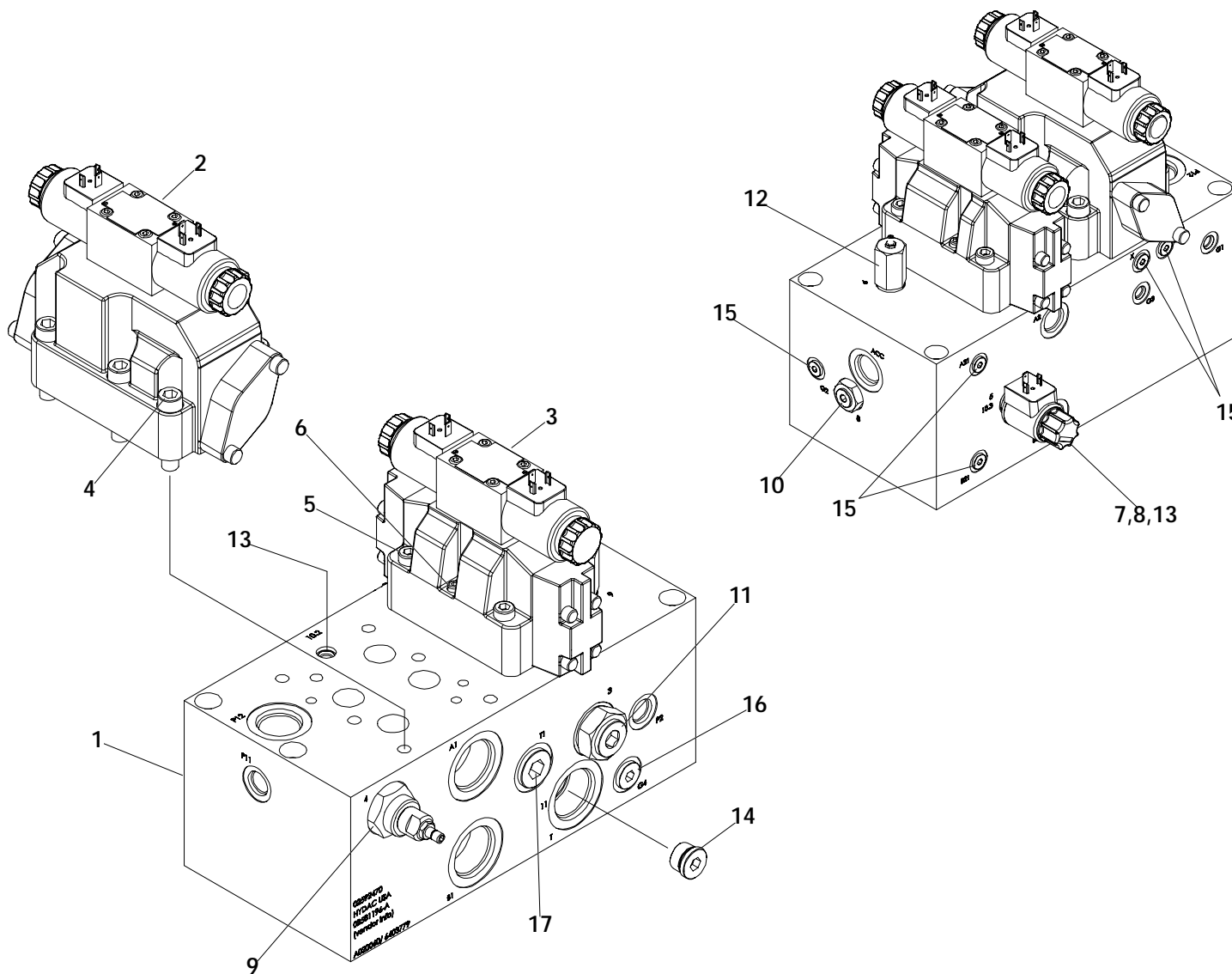


1.7

A91218-0411



ЗАПЧАСТИ ДЛЯ БЕТОННАСОСОВ  
+79180710333



TK MANIFOLD ASSEMBLY - D08 HYDAC

A020060



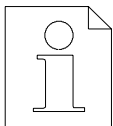
2.1

A91223-0411



ЗАПЧАСТИ ДЛЯ БЕТОННАСОСОВ  
+79180710333

0	A020060	1	TK MANIFOLD ASSEMBLY	D08 HYDAC
1	A020066	1	.MANIFOLD BLOCK	
2	A021005	1	.DIRECT VALVE	D08 3/4 SOL PILOT 12V
3	AT311997	1	.DIRECT VALVE	D08 2/4 SOL PILOT 12V
4	042602000	6	.SHCS	M12 X 55
5	031857002	4	.SHCS	M10 X 55 DIN912-8
6	031818009	2	.SHCS	M6 X 50 DIN912-8.8 ZP
7	A020067	1	.DIR CTRL CART VALVE	WS08Y 12V
8	A020069	1	.RELIEF VALVE	DB16P
9	A020070	1	.CHECK VALVE	5PSI RV10A
10	A020071	1	.CHECK VALVE	70PSI RV16A
11	A020072	1	.ACCUMULATOR CHARGE VALVE	DLHSR
12	A041596	2	.PLUG	1/4-20 0.75MM ORIFICE
13	A041597	1	.PLUG	10MB W/9.1MM ORIFICE
14	AT312366	5	.PLUG	4MB
15	AT312367	1	.PLUG	8MB
16	AT312368	1	.PLUG	12MB



TK MANIFOLD ASSEMBLY - D08 HYDAC

A020060

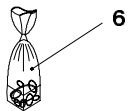


2.1

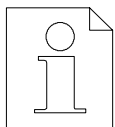
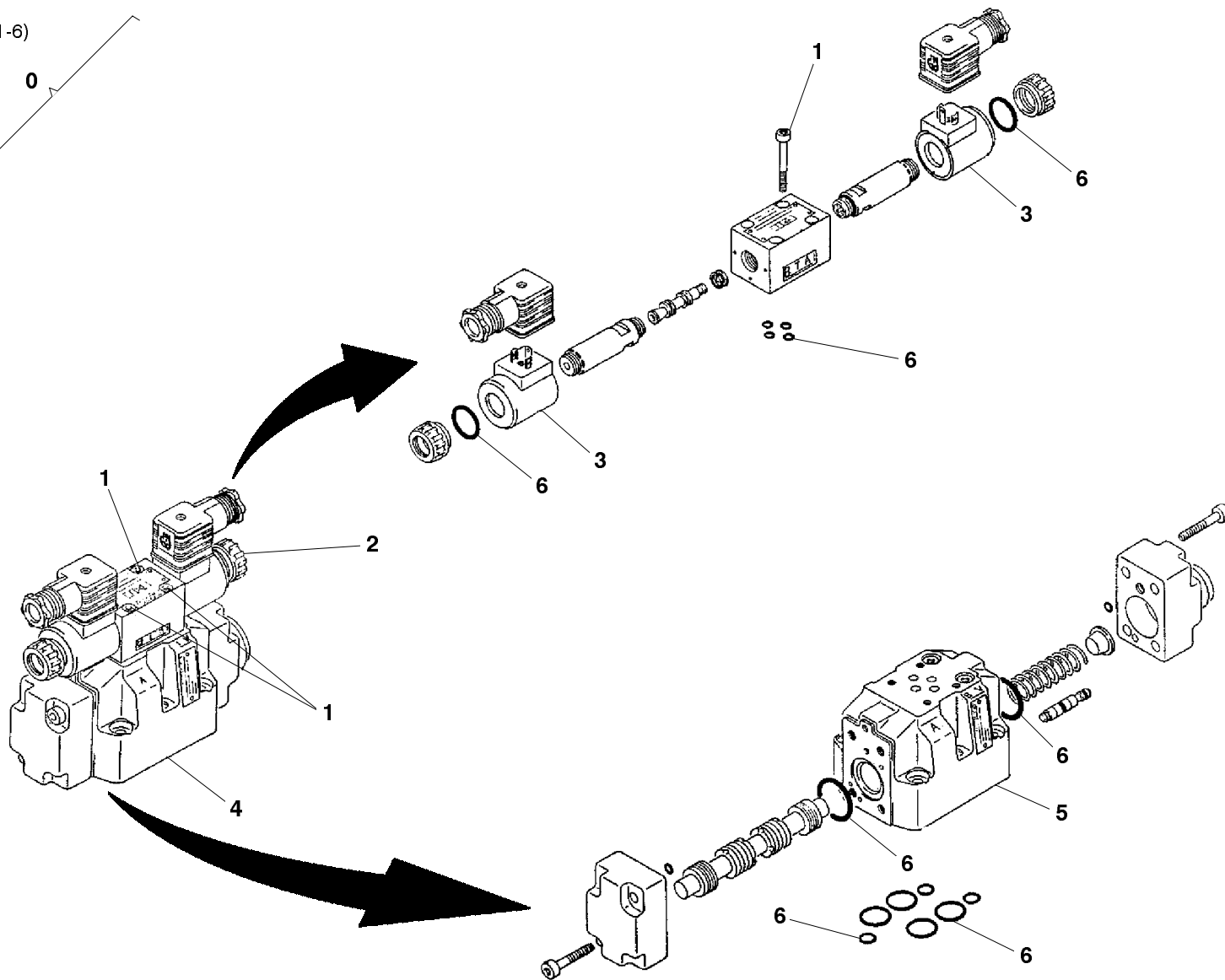
A91223-0411



ЗАПЧАСТИ ДЛЯ БЕТОННАСОСОВ  
+79180710333



(1-6)  
0



### S-TUBE VALVE ASSEMBLY

AT311997

1 2

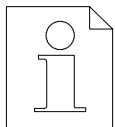
# 2.1

A90509-0203



ЗАПЧАСТИ ДЛЯ БЕТОННАГОСЛОВ  
+79180710333

0	AT311997	1	S-TUBE VALVE ASSY	
1	042787006	4	.SHCS	M5 X 50
2	AT312750	1	.SOLENOID VALVE ASSY	
3	267378009	2	..COIL, SOLENOID	
4	06348007	1	.MAIN BODY ASSY	
5	AT311844	1	..HOUSING	
6	A099037	1	.SEAL KIT	



S-TUBE VALVE ASSEMBLY

AT311997



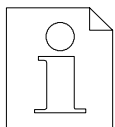
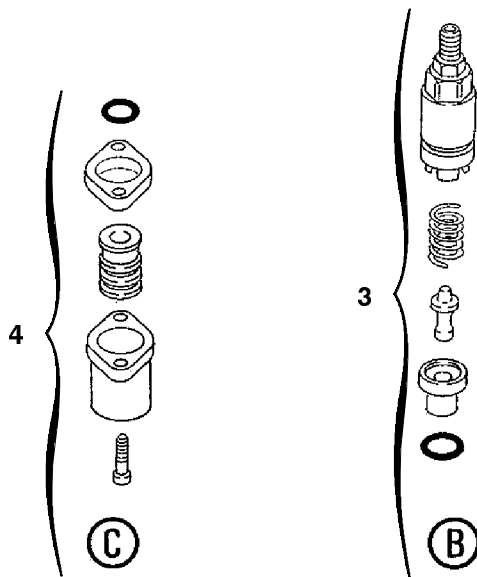
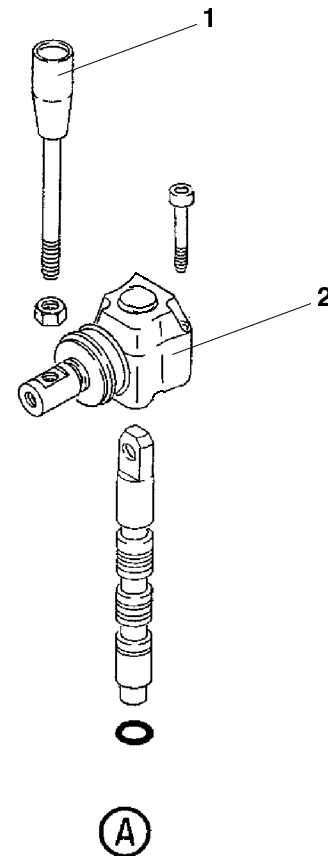
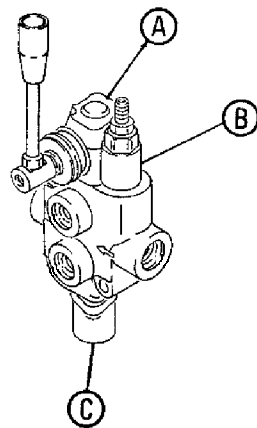
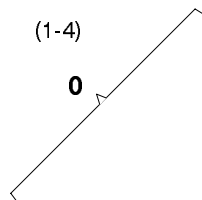
**2.1**

A90509-0203



**ЗАПЧАСТИ ДЛЯ БЕТОННАСОСОВ**  
+79180710333





SINGLE SPOOL VALVE  
(FOR REMIXER)

AT311658



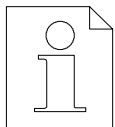
**2.1**

A90516-0012



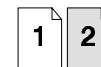
ЗАПЧАСТИ ДЛЯ БЕТОННАРЕДКО  
+79180710333

0	AT311658	1	SINGLE SPOOL VALVE, 3-POSITION.	
1	A380824	1	.HAND LEVER	AL01/M8 X 120
2	A380860	1	.LEVER	L/S5
3	A023009	1	.RELIEF VALVE, SD5 SPOOL VALVE	
4	A023008	1	.SPOOL POSITIONER DETENT, 3-POSITION	



SINGLE SPOOL VALVE  
(FOR REMIXER)

AT311658



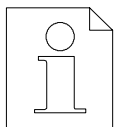
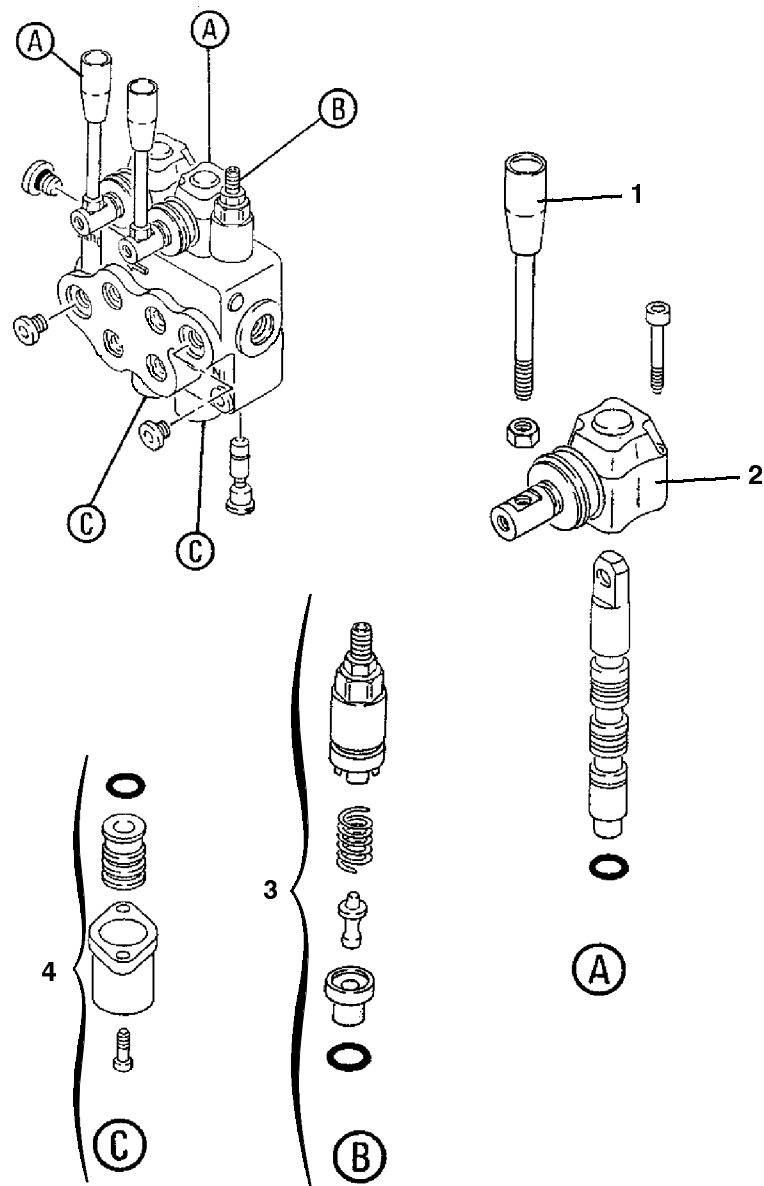
**2.1**

A90516-0012



ЗАПЧАСТИ ДЛЯ БЕТОННАСОСОВ  
+79180710333

(1-4)  
0



DOUBLE SPOOL VALVE  
(FOR HYDR. OUTRIGGERS)

A023001



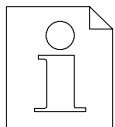
2.1

A90517-0012



ЗАПЧАСТИ ДЛЯ БЕТОННОВАЛОДОВ  
+79180710333

0	A023001	1	DOUBLE SPOOL VALVE, 3-POSITION..	
1	A380824	2	.HAND LEVER	AL01/M8 X 120
2	A380860	2	.LEVER	L/S5
3	A023009	1	.RELIEF VALVE, SD5 SPOOL VALVE	
4	A023007	2	.SPOOL POSITIONER, SPRING RETURN	



DOUBLE SPOOL VALVE  
(FOR HYDR. OUTRIGGERS)

A023001

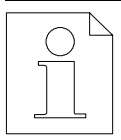
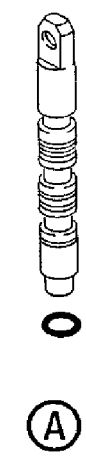
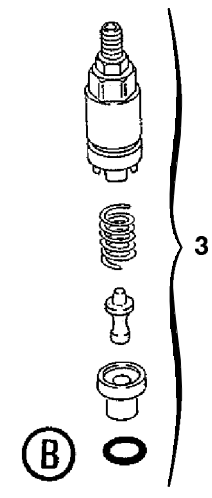
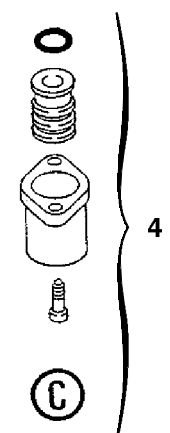
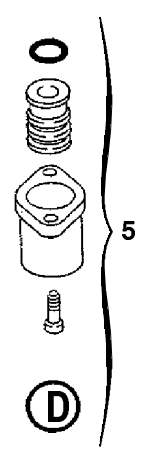
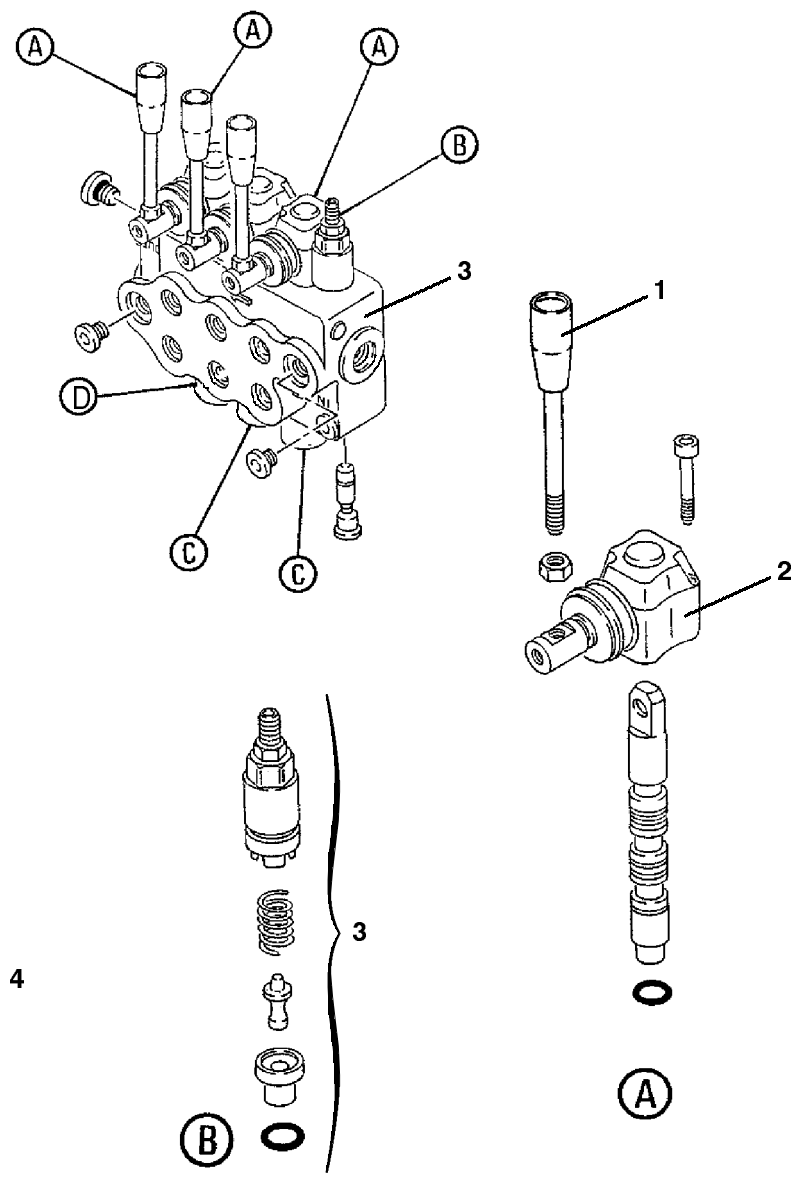
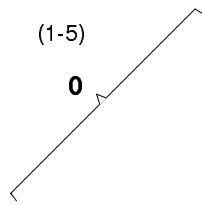


**2.1**

A90517-0012

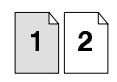


ЗАПЧАСТИ ДЛЯ БЕТОННАСОСОВ  
+79180710333



TRIPLE SPOOL VALVE  
(FOR REMIXER & HYDR. OUTRIGGERS)

AT311638



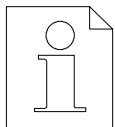
2.1

A90518-0012



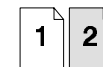
ЗАПЧАСТИ ДЛЯ БЕТОННАГОРОДОВ  
+79180710333

0	AT311638	1	TRIPLE SPOOL VALVE, 3-POSITION.	
1	A380824	3	.HAND LEVER	AL01/M8 X 120
2	A380860	3	.LEVER	L/S5
3	A023009	1	.RELIEF VALVE, SD5 SPOOL VALVE	
4	A023007	2	.SPOOL POSITIONER, SPRING RETURN	
5	A023008	1	.SPOOL POSITIONER DETENT, 3-POSITION	



TRIPLE SPOOL VALVE  
(FOR REMIXER & HYDR. OUTRIGGERS)

AT311638

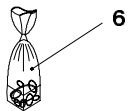


**2.1**

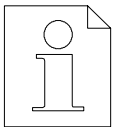
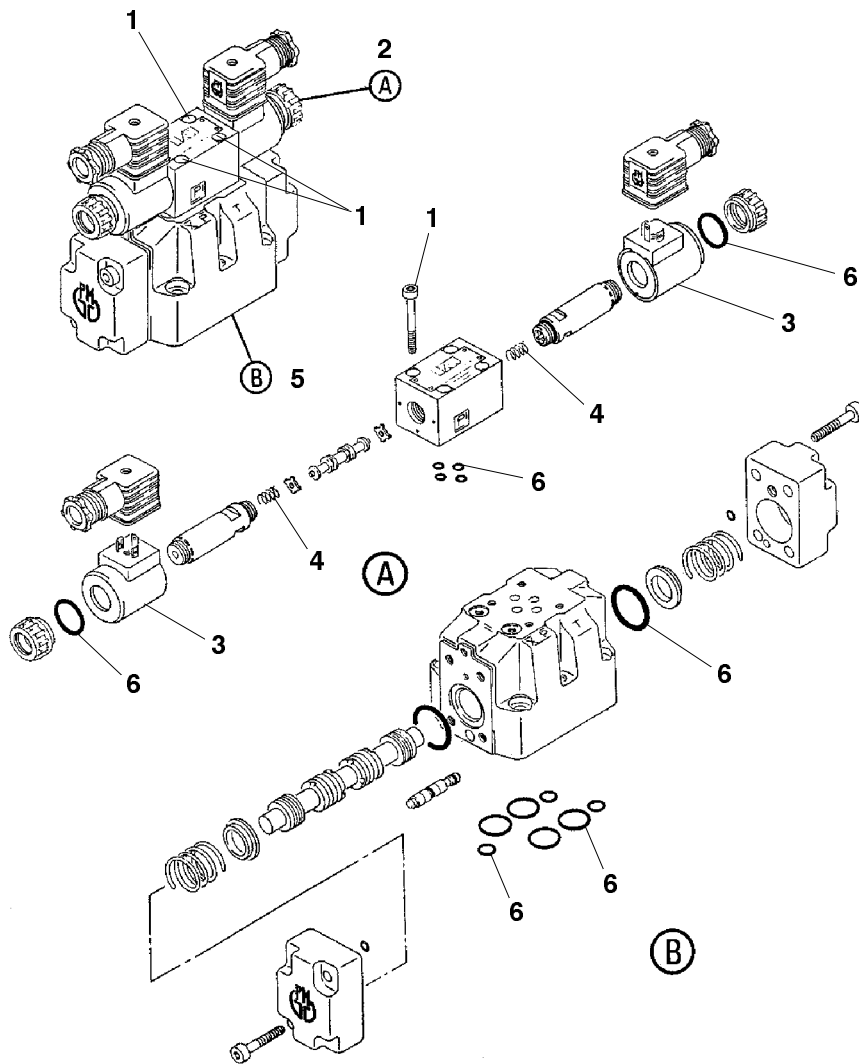
A90518-0012



ЗАПЧАСТИ ДЛЯ БЕТОННАСОСОВ  
+79180710333



(1-6)  
0



MAIN CONTROL VALVE ASSY

A021005



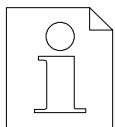
2.1

A90687-0203



ЗАПЧАСТИ ДЛЯ БЕТОННАХОЗОВ  
+79180710333

0	A021005	1	MAIN CONTROL VALVE ASSY
1		4	.SHCS
2		1	.SOLENOID VALVE ASSY
3		2	..COIL, SOLENOID
4		2	.SPRING
5		1	.MAIN BODY ASSY
6	A099038	1	.SEAL KIT



MAIN CONTROL VALVE ASSY

A021005



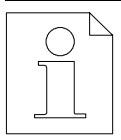
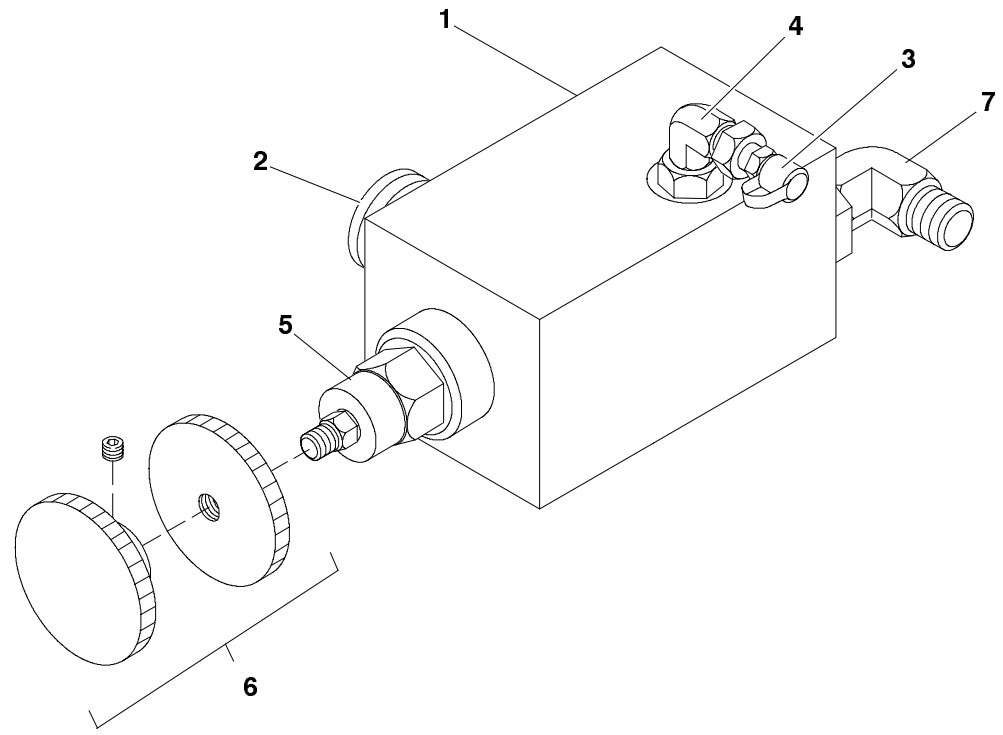
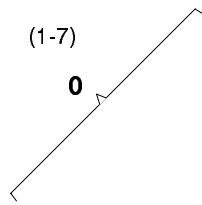
**2.1**

A90687-0203



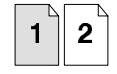
**ЗАПЧАСТИ ДЛЯ БЕТОННАСОСОВ**  
+79180710333





VOLUME CONTROL ASSEMBLY

A020042



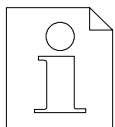
**2.2**

A90944-0203



ЗАПЧАСТИ ДЛЯ БЕТОННАРОБОТ  
+79180710333

0	A020042	1	VOLUME CONTROL ASSEMBLY	
1	AT311701	1	.VOLUME CONTROL BLOCK	
2	AT311936	1	.FLOW CONTROL VALVE	
3	AT311791	1	.HANDKNOB KIT- VOLUME CONTROL	
4	044035002	2	.COUPLING	GES 25S/1 - 5/16- 12 UN
5	044074005	1	.COUPLING	EWSD 25S
6	A041418	1	.FITTING	4MB-4FB-90
7	AT311824	1	.MINICHECK TEST POINT	



VOLUME CONTROL ASSEMBLY

A020042



**2.2**

A90944-0203

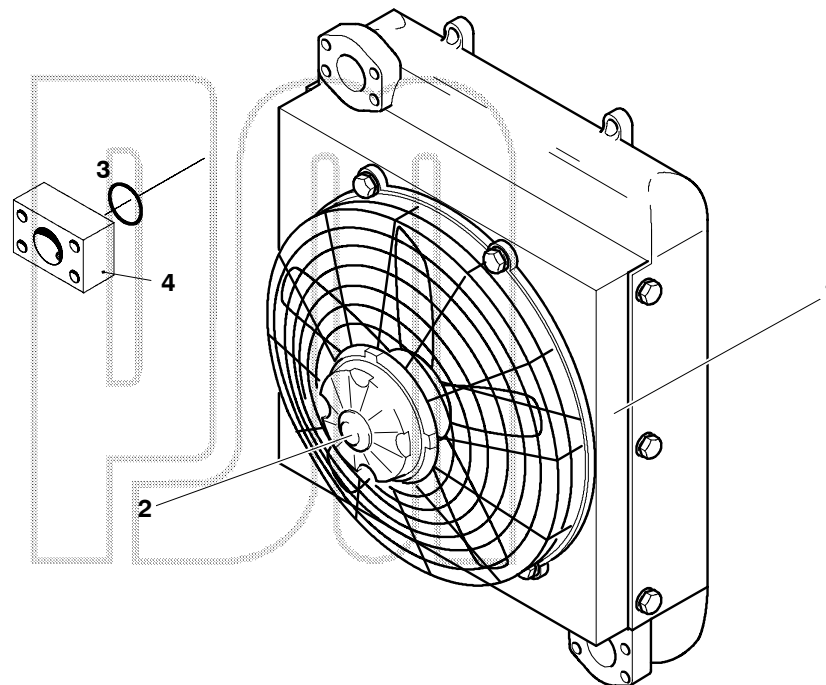
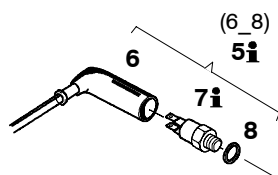


**ЗАПЧАСТИ ДЛЯ БЕТОННАСОСОВ**  
**+79180710333**

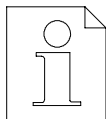
<b>i</b>	
Md	19 = 32 Nm



9, 10, 11

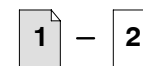


TD: Baumann



OIL COOLER ASSY 12V

A024039



**2.4**

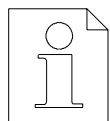
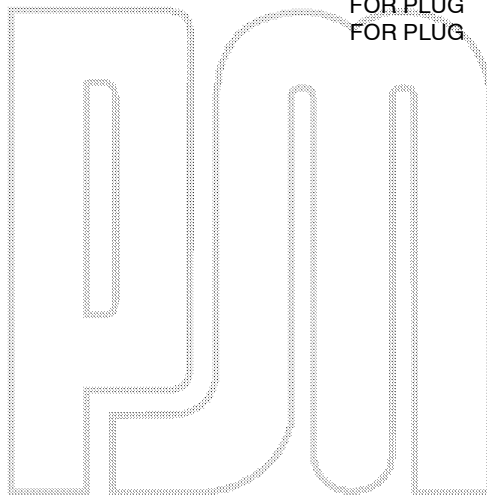
A91231-0505



ЗАПЧАСТИ ДЛЯ БЕТОННАСОСОВ  
+79180710333

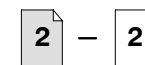
0	A024039	1	Oil Cooler Assy	12V
1	066368003	1	.Oil Cooler	12V
2	444175	1	.Electric Motor	12V
3	042859002	3	.O-Ring	37,7x3,53 DIN3771NBR70
4	258817003	1	.SAE connection block	1 1/4"
5	267559006	1	.Temperature transmitter	55 °C
6	067860005	1	..Temperature transmitter	55 °C; M14x1,5
7	261682005	1	..Protecting cap for cable	
8	037534002	1	..Seal ring	A14X20 DIN 7603-CU
9	A370239	1	.Connetctor 2 way	female black
10	A370238	2	.Pin weatherpak	male 12GA
11	A052264	2	.Cable seal	12 GA wire blue

FOR PLUG  
FOR PLUG  
FOR PLUG



OIL COOLER ASSY 12V

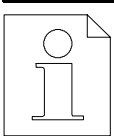
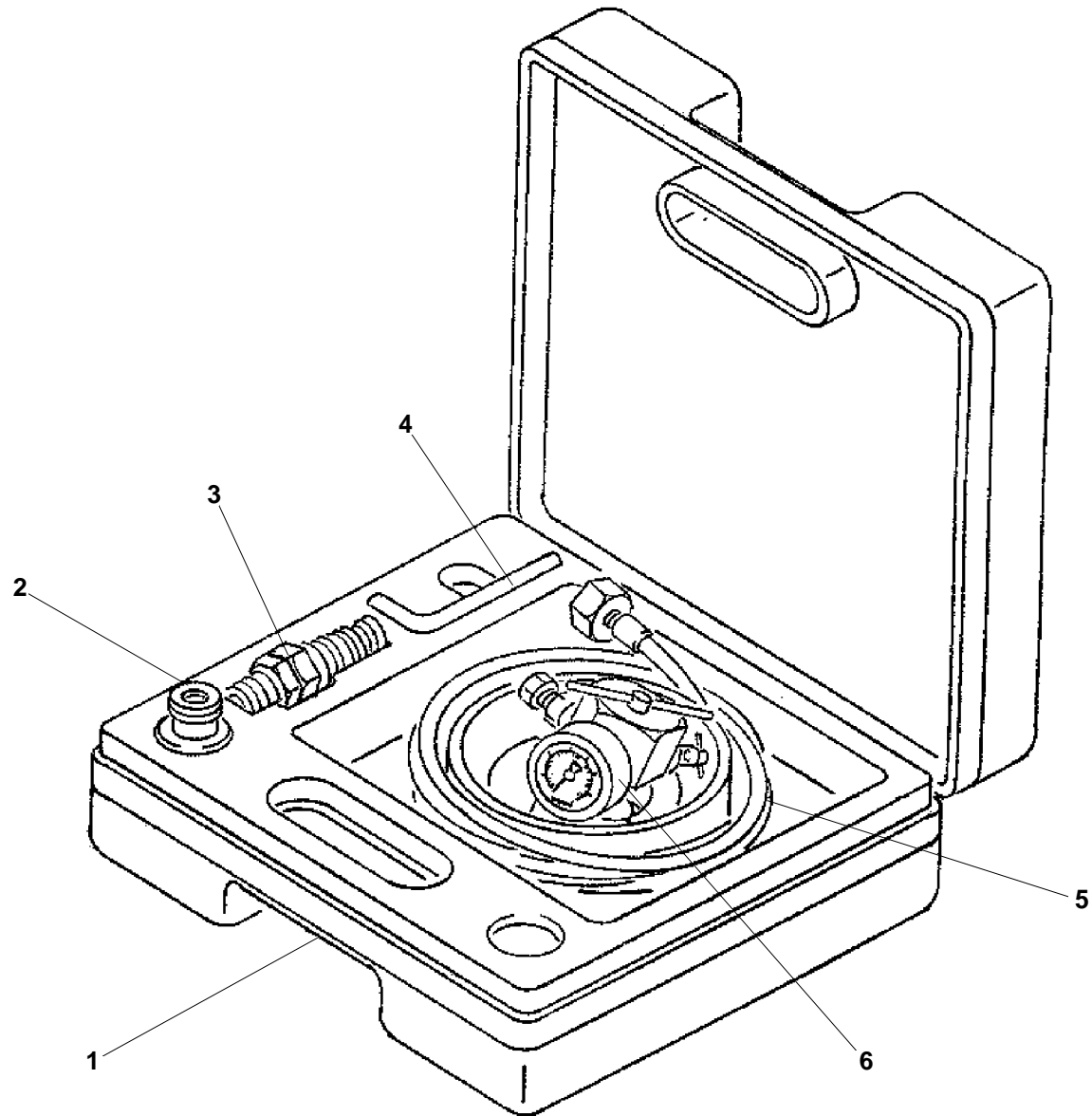
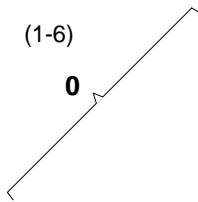
A024039



**2.4**  
A91231-0505



ЗАПЧАСТИ ДЛЯ БЕТОННАСОСОВ  
+79180710333



NOTE: THIS ITEM DOES NOT SHIP WITH ANY UNIT. IT CAN BE ORDERED FROM PUTZMEISTER



ACCUMULATOR CHARGE KIT

311803



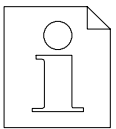
**2.5**

A90525-9902



ЗАПЧАСТИ ДЛЯ БЕТОННАГОРОДОВ  
+79180710333

0	311803	1	ACCUMULATOR CHARGE KIT	
1		1	.CASE, CHARGE KIT	
2		1	.ADAPTER	FPK/SB
3		1	.ADAPTER	G4
4		1	.WRENCH, ALLEN	
5		1	.HOSE, CHARGING	
6		1	.UNIT, FPK CHARGING AND GAGING	

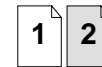


NOTE: THIS ITEM DOES NOT SHIP WITH ANY UNIT. IT CAN BE ORDERED FROM PUTZMEISTER



ACCUMULATOR CHARGE KIT

311803

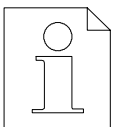
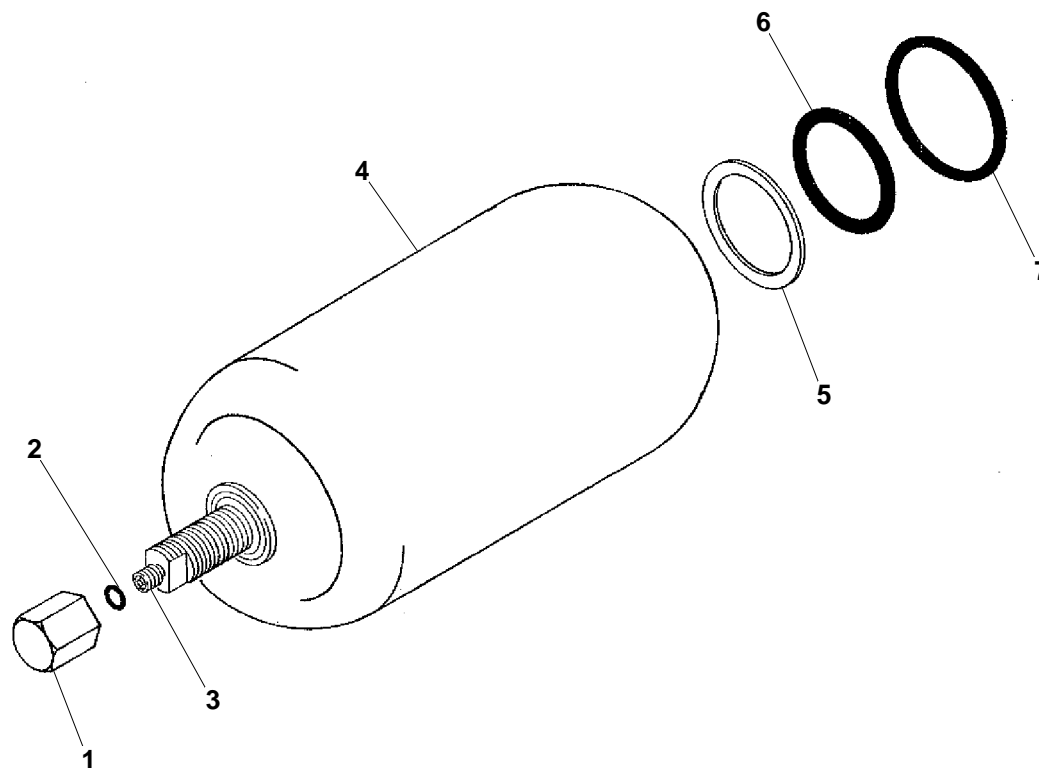
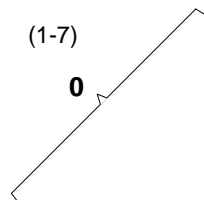


**2.5**

A90525-9902



**ЗАПЧАСТИ ДЛЯ БЕТОННАСОСОВ**  
**+79180710333**



NOTE: THIS ITEM DOES NOT SHIP WITH ANY UNIT. IT CAN BE ORDERED FROM PUTZMEISTER



ACCUMULATOR REPAIR KIT

311945



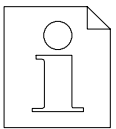
**2.5**

A90527-9902



ЗАПЧАСТИ ДЛЯ БЕТОННАХОДОВ  
+79180710333

0	311945	1	ACCUMULATOR REPAIR KIT
1		1	.CAP, VALVE SEAL
2		1	.O-RING
3		1	.CORE, GAS VALVE
4		1	.BLADDER
5		1	.RING, FLAT
6		1	.O-RING
7		1	.RING, BACK UP

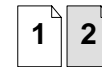


NOTE: THIS ITEM DOES NOT SHIP WITH ANY UNIT. IT CAN BE ORDERED FROM PUTZMEISTER



ACCUMULATOR REPAIR KIT

311945



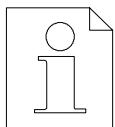
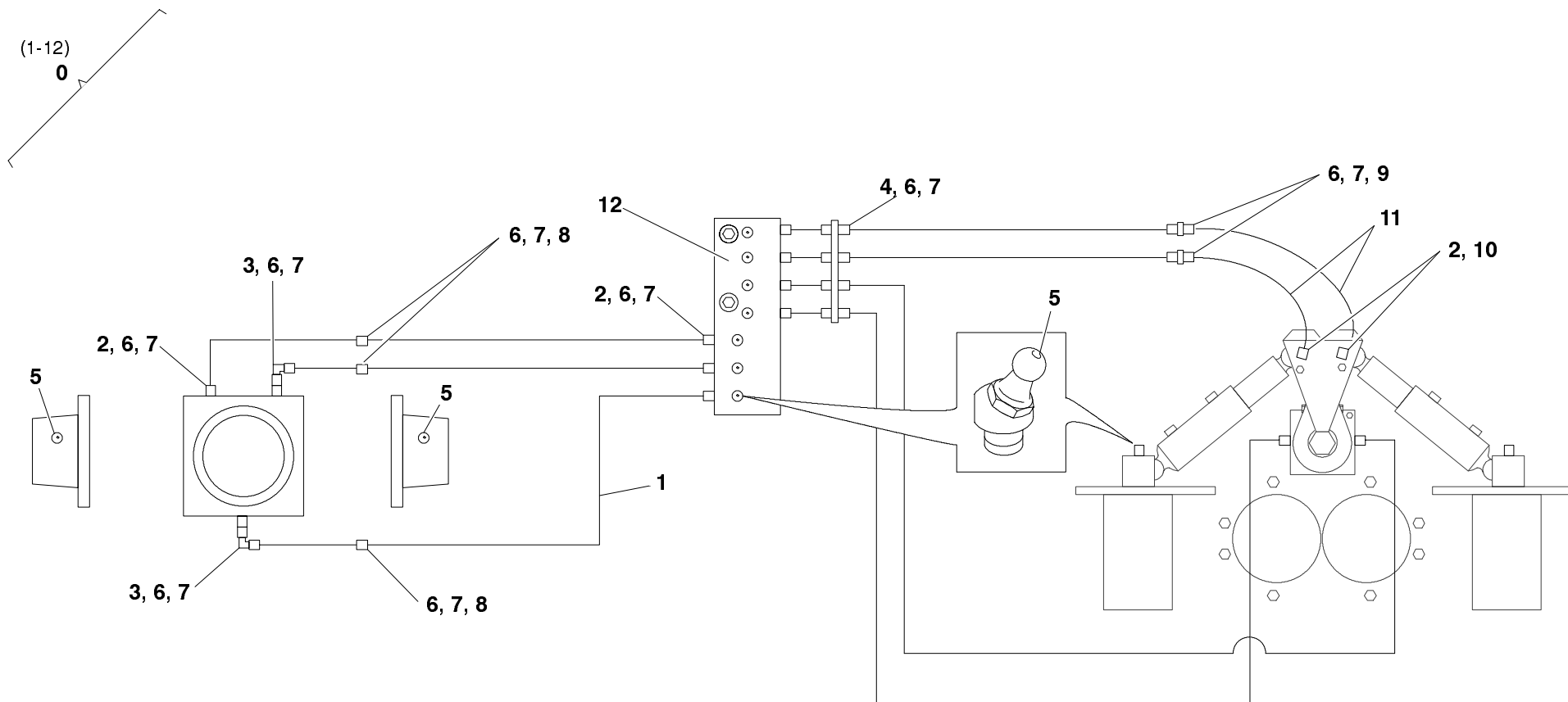
**2.5**

A90527-9902



ЗАПЧАСТИ ДЛЯ БЕТОННАСОСОВ  
+79180710333





MANUAL LUBE KIT (RS487A)



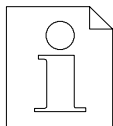
**2.6**

A90993-0206



ЗАПЧАСТИ ДЛЯ БЕТОННАГОРОДОВ  
+79180710333

0		1	MANUAL LUBE KIT (RS487A)	
1	420360	1	.TUBE KIT (FOR RS487A LUBE KIT)	CONSISTS OF 14 TUBES
2	A312549	11	.FITTING	GES 6LM WD A3L
3	A312572	2	.FITTING	RSWS 6LM WD A3L
4	A312585	5	.COUPLING	GSS 6L W/NUT
5	016110007	9	.GREASE FITTING	BM10X1 DIN71412
6	041797000	36	.NUT	M6L DIN3870
7	041802005	36	.PRESSURE RING	6MM
8	044039008	3	.COUPLING	GS 6L
9	044064002	6	.COUPLING	WSS 6L
10	044069007	2	.COUPLING	EWSD 6L
11	067873005	2	.HY-HOSE	NW4X 480 TECAL.BF4
12	274271005	1	.GREASE DISTRIBUTOR	



MANUAL LUBE KIT (RS487A)

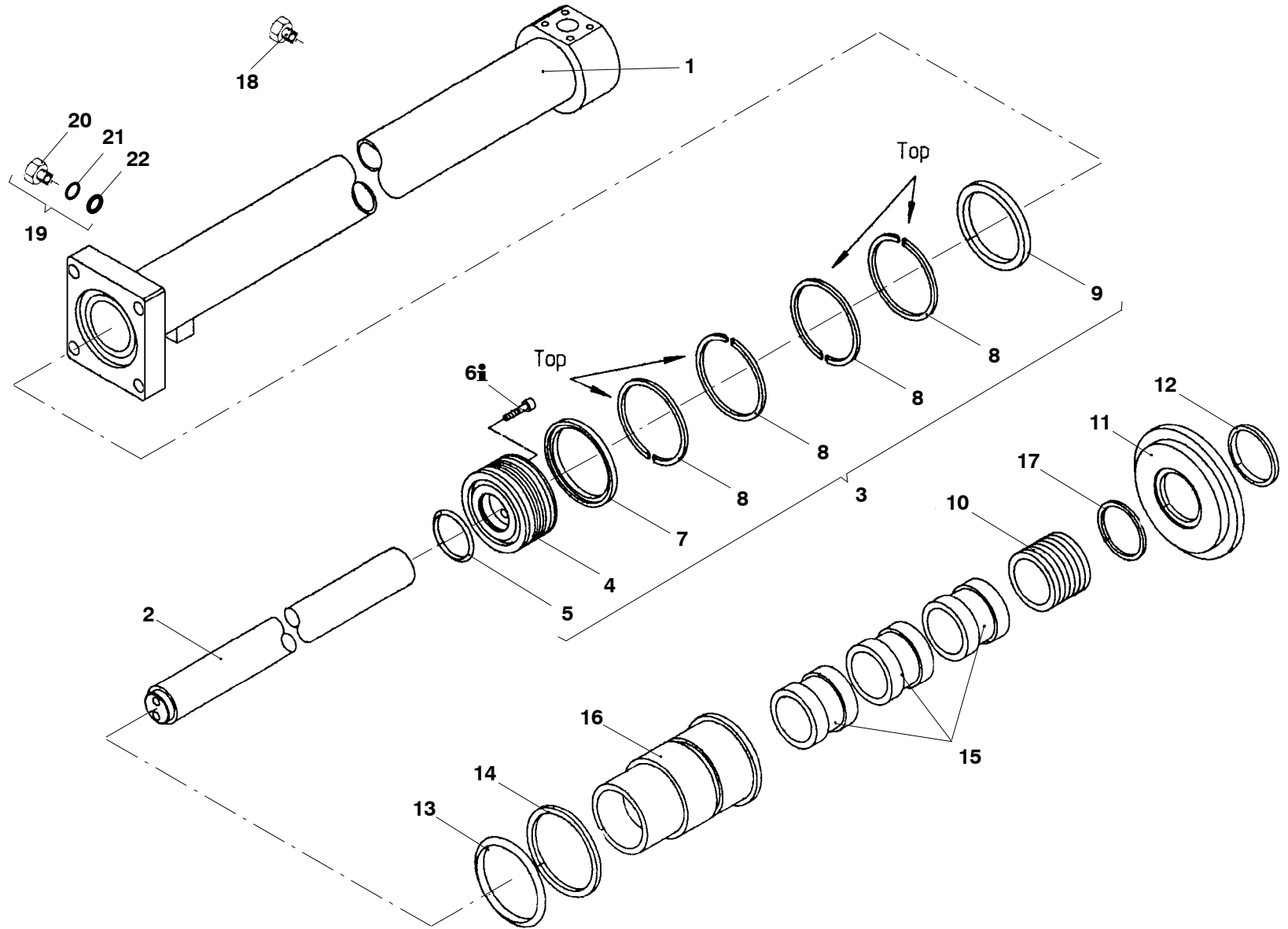
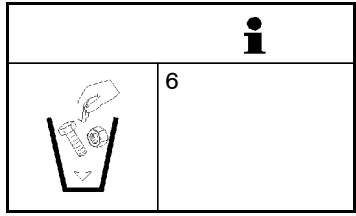


**2.6**

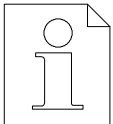
A90993-0206



ЗАПЧАСТИ ДЛЯ БЕТОННАСОСОВ  
+79180710333

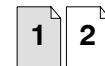


TD: K hfeu 



Hydr.-Zylinder 1000- 80/ 45  
 Hydraulic cylinder  
 V rin hydraulique  
 Cilindro hidr ulico

261092006



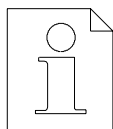
**3.1**

13750-9408



ЗАПЧАСТИ ДЛЯ БЕТОННОВАЛОСОВ  
 +79180710333

	261092006	1	Hydr.-Zylinder	1000- 80/ 45	Hydraulic cylinder	Vérin hydraulique	Cilindro hidráulico
1	261093005	1	.Zylinderrohr		.Cylinder tube	.Tuyau cylindre	.Tubo cilíndrico
2	088165006	1	.Kolbenstange		.Piston rod	.Tige de piston	.Vástago de émbolo
3	235465009	1	.Kolben		.Piston	.Piston	.Embolo
4	235423009	1	..Kolben		..Piston	..Piston	..Embolo
5	042525006	1	..O-Ring	40x3 DIN3770NB70	..O-ring	..Joint torique	..Junto tórico
6	067015009	2	..Zylinderschraube, selbsts	M12x90 DIN912-8.8MK	..Cheese head screw,self-l.	..Vis à tête cyl.frein.int.	..Tornillo cil.autofrenant
7	235424008	1	..Kolbenführungsring		..Piston guide ring	..Bague de guidage piston	..Anillo-guía p. piston
8	067024003	4	..Rechteckring		..Plain compression ring	..Segment de piston à s.rec	..Anillo de seccion rectang
9	235425007	1	..Kolbenführungsring		..Piston guide ring	..Bague de guidage piston	..Anillo-guía p. piston
10	067021006	1	.Dachmanschette		.Laminar packing	.Garniture forme toit	.Guarnición de perfil ang.
11	088171003	1	.Kopfflansch		.Head flange	.Bride	.Brida
12	067023004	1	.Abstreifring		.Scraper ring	.Segment racleur	.Anillo rascador
13	062898001	1	.O-Ring	72x4 DIN3770NB70	.O-ring	.Joint torique	.Junto tórico
14	062899000	1	.PTSM-Backring		.Back-up ring (PTSM)	.Bague d' appui (PTSM)	.Anillo de apoyo (PTSM)
15	066582009	3	.Führungsring		.Guide ring	.Bague de guidage	.Anillo-guía
16	227380008	1	.Führungsbuchse		.Guide bush	.Douille de guidage	.Casquillo de guía
17	067473007	1	.Stützring		.Back-up ring	.Bague d'appui	.Anillo de apoyo
18	041345009	5	.Verschlußschraube	VS-R1/2" WD	.Screw plug	.Bouchon obturateur	.Tapón roscado
19	240892007	4	.Verschlußschraube	M12x1	.Screw plug	.Bouchon obturateur	.Tapón roscado
20	241004001	4	..Verschlußschraube	M12x1	..Screw plug	..Bouchon obturateur	..Tapón roscado
21	241079007	4	..Stützring		..Back-up ring	..Bague d'appui	..Anillo de apoyo
22	241080009	4	..O-Ring	5,3x2,4 DIN3770NB70	..O-ring	..Joint torique	..Junto tórico



Hydr.-Zylinder 1000- 80/ 45  
Hydraulic cylinder  
Vérin hydraulique  
Cilindro hidráulico

261092006

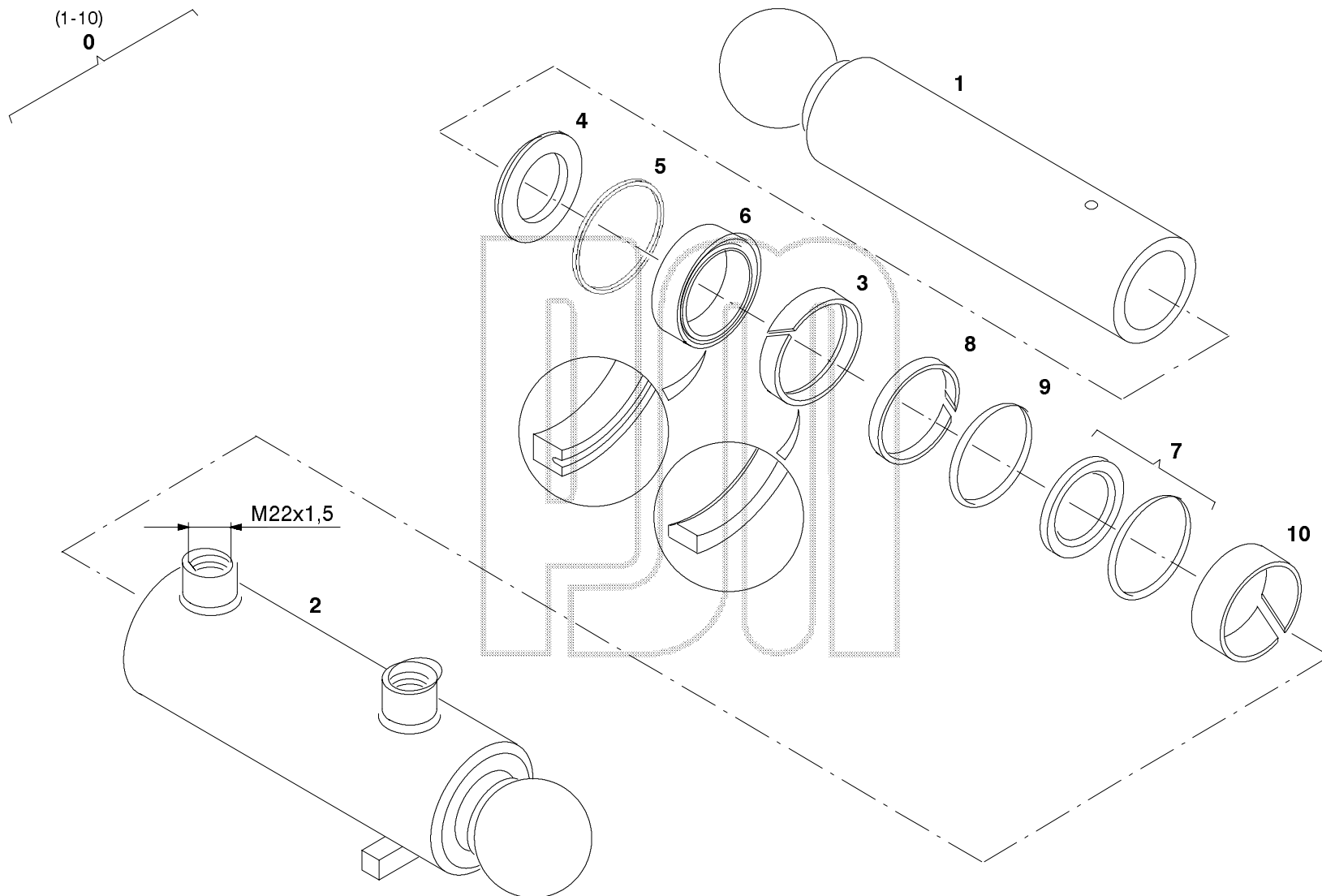



**3.1**

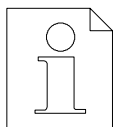
13750-9408



ЗАПЧАСТИ ДЛЯ БЕТОННАСОСОВ  
+79180710333


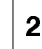


 **3.4**  
13852-9412  
TD: Kühfuß



Plunger-Zylinder 160-60  
Plunger cylinder 160-60  
Vérin du piston plongeur 160-60  
Cilindro buzo 160-60

262840008

 - 

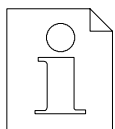
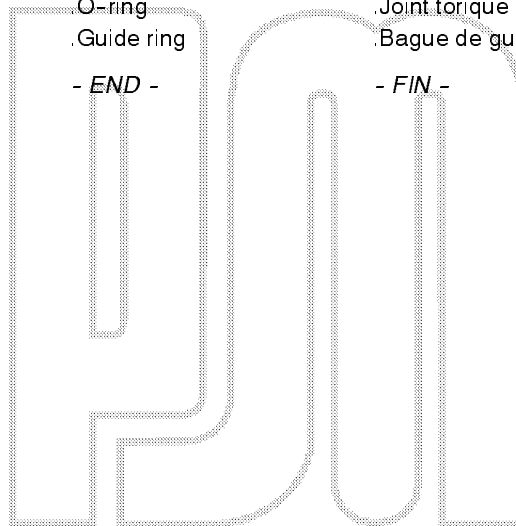
**3.4**  
13852-0009



ЗАПЧАТКИ ДЛЯ БЕТОННАГОРОДОВ  
+79180710333

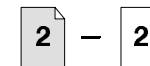
0	262840008	1	Plunger-Zylinder	160-60
1	254427002	1	.Kolbenstange	
2	254428001	1	.Plungerrohr	
3	261706004	1	.Führungsring	
4	065344002	1	.Abstreifring	
5	065346000	1	.Stützring	
6	065345001	1	.Nutring	
7	238863006	1	.Gleitringdichtung	
8	238859007	1	.Führungsring	
9	238865004	1	.O-Ring	64x7 DIN3770NB70
10	261707003	1	.Führungsring	
			- ENDE -	

Plunger cylinder	Vérin du piston plongeur	Cilindro buzo
.Piston rod	.Tige de piston	.Vástago de émbolo
.Plunger tube	.Tuyau à plongeur	.Tubo buzo
.Guide ring	.Bague de guidage	.Anillo-guía
.Scraper ring	.Segment racleur	.Anillo rascador
.Back-up ring	.Bague d'appui	.Anillo de apoyo
.Lip seal ring	.Joint à lèvres	.Collarin
.Axial face seal	.Garnit.étanche à anneau g	.Retén frontal
.Guide ring	.Bague de guidage	.Anillo-guía
.O-ring	.Joint torique	.Junta tórica
.Guide ring	.Bague de guidage	.Anillo-guía
- END -	- FIN -	- FIN -



Plunger-Zylinder 160-60  
Plunger cylinder 160-60  
Vérin du piston plongeur 160-60  
Cilindro buzo 160-60

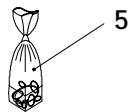
262840008



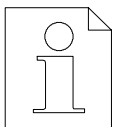
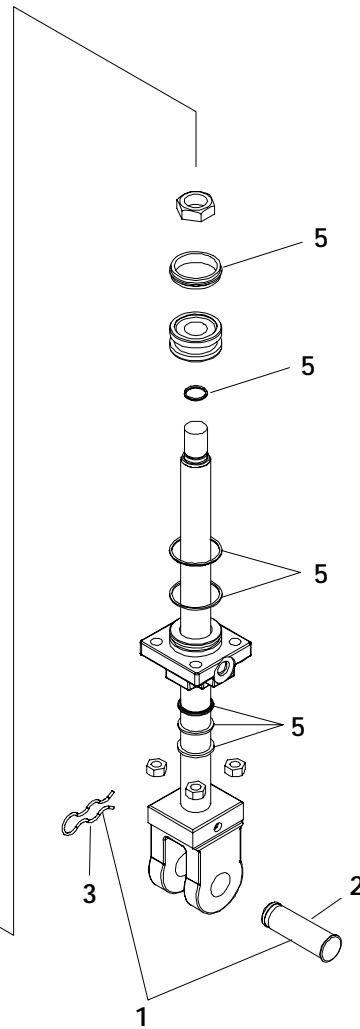
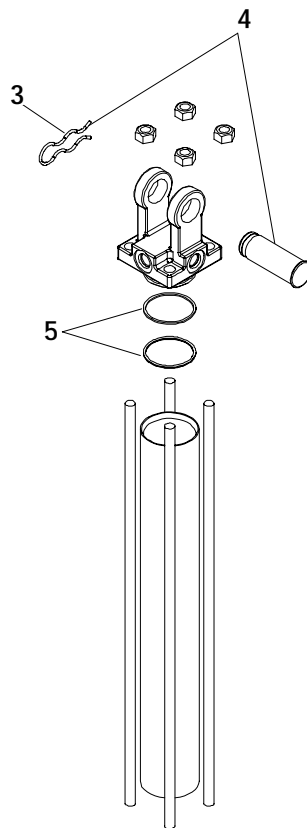
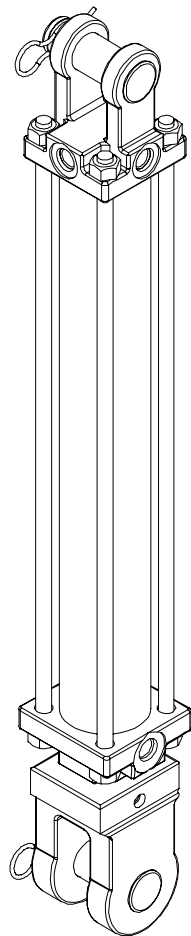
**3.4**  
13852-0009



ЗАПЧАСТИ ДЛЯ БЕТОННАСОСОВ  
+79180710333



(1-5)  
0



OUTRIGGER CYLINDER 2" X 14"

A094016



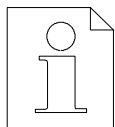
3.4

A90664-0411



ЗАПЧАСТИ ДЛЯ БЕТОННАСОСОВ  
+79180710333

0	A094016	1	OUTRIGGER CYLINDER 2" X 14"	TK OUTRIGGER
1	A970030	1	.CLEVIS PIN W/CLIP	ROD END
2	AT309267	1	..CLEVIS PIN	ROD END
3	A971175	2	..CLIP	
4	A970031	1	.CLEVIS PIN W/CLIP	HEAD END
5	A099048	1	.SEAL KIT HYD CYL	



OUTRIGGER CYLINDER 2" X 14"

A094016

**3.4**



A90664-0411



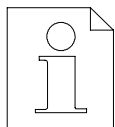
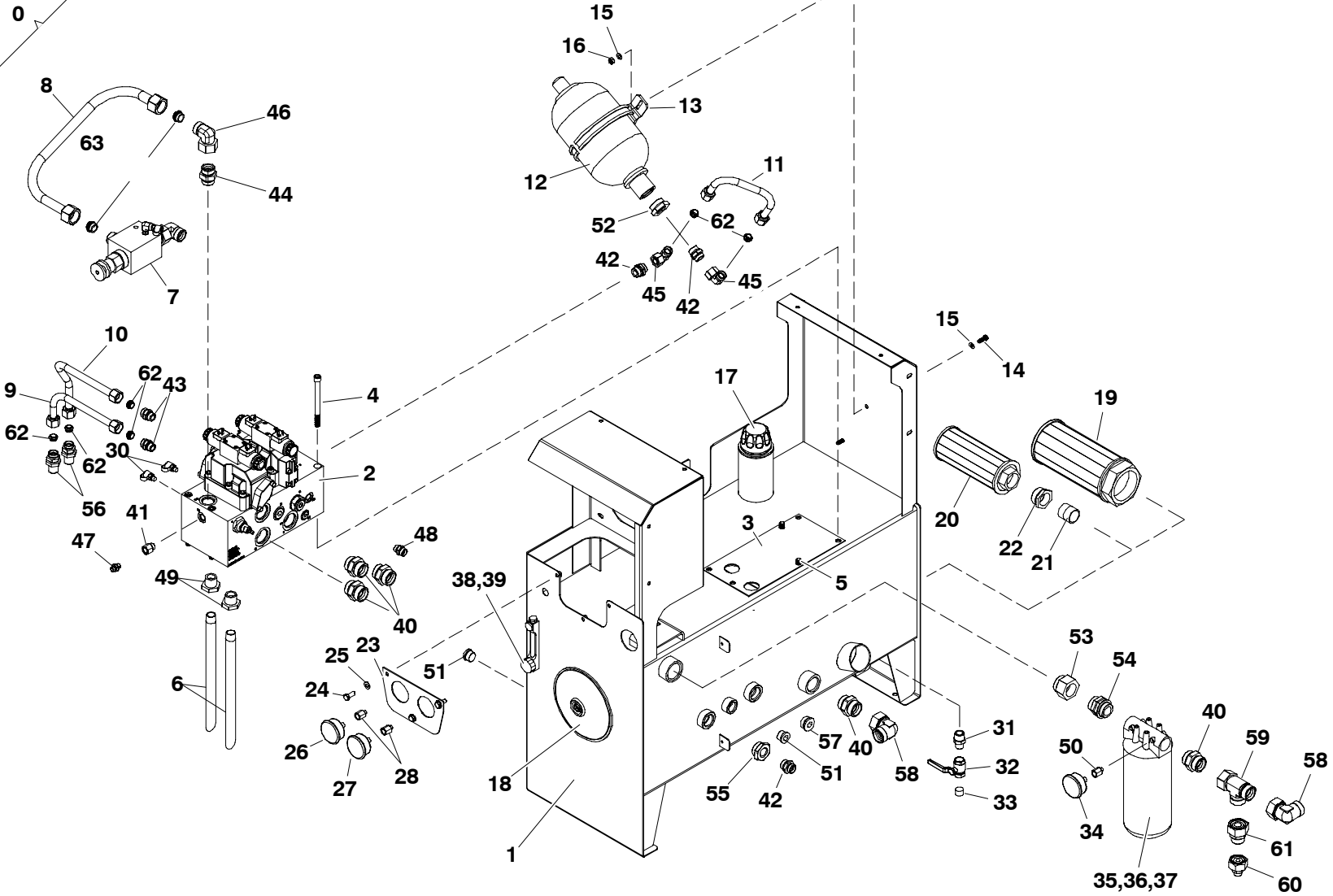
**ЗАПЧАСТИ ДЛЯ БЕТОННАСОСОВ**  
**+79180710333**





29

(1-63)



HYDRAULIC TANK ASSEMBLY  
D08 HYDAC

A014030



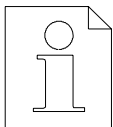
**3.5**

A91234-0505



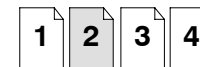
ЗАПЧАСТИ ДЛЯ БЕТОННАСОСОВ  
+79180710333

0	A014030	1	HYDRAULIC TANK ASSEMBLY	TK-D08 HYDAC SINGLE	
1	A014029	1	.HYDRAULIC TANK WELDMENT	TK	
2	A020060	1	.MANIFOLD ASSEMBLY	TK-D08, HYDAC	2.1-A91223
3	AT200031	1	.GASKET	D08 HYDAC MANIFOLD	
4	A970051	4	.SHCS	1/2-13 X 6-1/2" GR.8	
5	AT301125	2	.SHCS	1/2-13 X 3/4, PLN	
6	A041386	2	.HYDRAULIC TUBE (MFLD TO DRAIN)	TK	
7	A020042	1	.VOLUME CONTROL ASSEMBLY	TK, METRIC	2.2-A90944
8	A041607	1	.HYDRAULIC TUBE (VOL. CTRL)	407MM	
9	A041414	1	.HYDRAULIC TUBE, SHIFT (LOWER)		
10	A041600	1	.HYDRAULIC TUBE, SHIFT (UPPER)		
11	A041387	1	.HYDRAULIC TUBE (ACCUM. TO MFLD)		
12	AT311944	1	.HYDRAULIC ACCUMULATOR	1 GAL.	
13	A025006	1	.ACCUMULATOR CLAMP	167-175 ID	
14	AT301007	2	.HHCS	5/16-18 X 1", GR.5 ZP	
15	A971283	4	.WASHER, FLAT	5/16 SAE. ZP	
16	A971166	2	.NUT, TOPLOCK	5/16-18 GRB, CADW	
17	AT311937	1	.FILLER BREATHER		
18	235217008	2	.CLEANING LID	D235	
19	AT311666	1	.SUCTION STRAINER	3"	
20	AT311808	1	.SUCTION STRAINER	1.5"	
21	AT304596	1	.CLOSE NIPPLE, BLACK	1 1/4	
22	AT304438	1	.HEX BUSHING	1 1/2 X 1 1/4	
23	A400301	1	.PANEL GAUGES HYD TANK		
24	AT301015	3	.HHCS	3/8-16 X 1", GR.5 ZP	
25	AT302506	3	.WASHER, FLAT	3/8 SAE. ZP	
26	AT312777	1	.PRESSURE GAUGE	3000 PSI	
27	AT312776	1	.PRESSURE GAUGE	6000 PSI	
28	AT312341	2	.MINICHECK GAUGE ADAPTOR		
29	AT307596	2	.HOSE FLEX, MINICHECK	24"	
30	AT311824	2	.MINICHECK TEST PORT		
31	AT312068	1	.ADAPTOR	12MP-8MP	
32	AT311935	1	.BALL VALVE	1/2	
33	AT304091	1	.SQ. HD. PIPE PLUG	1/2"	
34	A041362	1	.GAUGE, PUTZ	43 PSI, BYPASS	



HYDRAULIC TANK ASSEMBLY  
D08 HYDAC

A014030

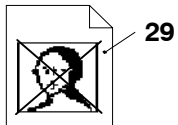


**3.5**

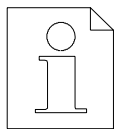
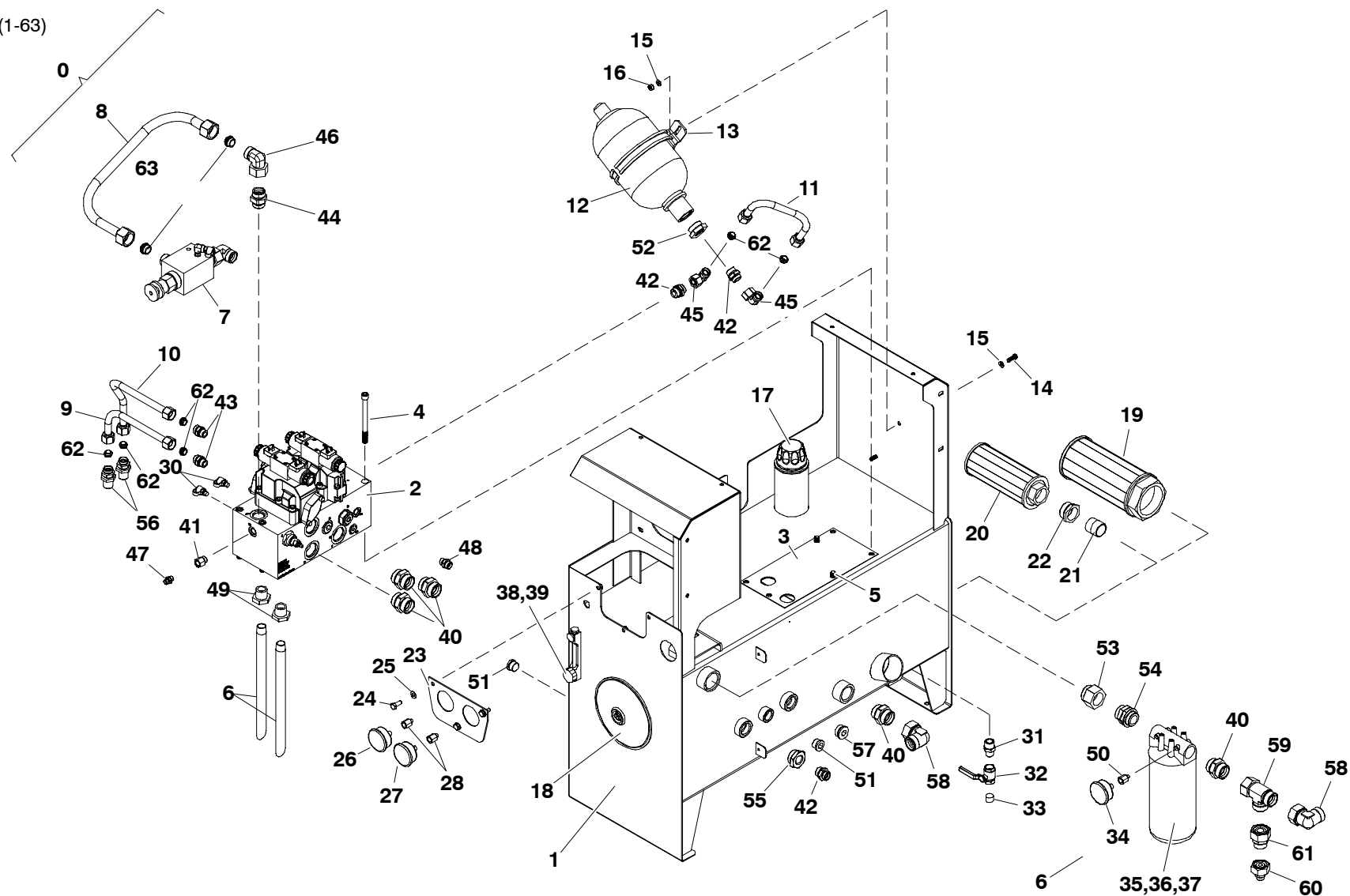
A91234-0505



ЗАПЧАСТИ ДЛЯ БЕТОННАСОСОВ  
+79180710333



(1-63)



HYDRAULIC TANK ASSEMBLY  
D08 HYDAC

A014030



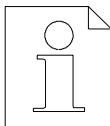
**3.5**

A91234-0505



ЗАПЧАСТИ ДЛЯ БЕТОННАСОСОВ  
+79180710333

35	A015022	1	.FILTER ASSEMBLY, SINGLE	43 PSI, SAE
36	A015023	1	..FILTER HEAD, SINGLE	43 PSI, SAE
37	AT311660	1	..FILTER ELEMENT, BETA SYNTHETIC	
38	AT311934	1	..OIL LEVEL GAUGE W/ THERMOMETER	
39	AT312763	1	..DIAL THERMOMETER	
40	A312173	5	.COUPLING	GES 30S - 1 5/8-12UN
41	A312899	1	.FITTING	08MB-06FB
42	A312905	3	.FITTING	P-GEV 18L-1 1/6" UNF OR
43	044033004	2	.COUPLING	GES 18L/7/8 14UNF
44	044035002	1	.COUPLING	GES 25S/1 5/16-12 UN
45	044073006	2	.COUPLING	EWSD 18L
46	044074005	1	.COUPLING	EWSD 25S
47	261029008	1	.FITTING	GES 8L/9/16 18UNF
48	291409009	1	.FITTING	8MB-15L
49	AT308395	2	.ADAPTOR	16MP-12FP
50	AT312352	1	.ADAPTOR	4FP-2MP
51	AT312368	2	.RECESSED BOSS PLUG	RBG-12
52	AT312412	1	.REDUCER	20MB-12FB
53	A041400	1	.FITTING	24MB-20FB
54	A041401	1	.FITTING	20MB-20MB
55	A312515	1	.FITTING	16MB-12FB
56	A312583	2	.COUPLING	GSS 18L W/NUT
57	A971119	1	.PLUG	16MB
58	044075004	2	.COUPLING	EWSD 30S
59	044090005	1	.COUPLING	ELSD 30S
60	044123008	1	.FITTING	RESDS 25S/15 L
61	044124007	1	.COUPLING	RESDS 30S/25 S
62	044184005	6	.RING, INTERMEDIATE	BO-ZR 18L
63	044185004	2	.RING, INTERMEDIATE	BO-ZR 25S



HYDRAULIC TANK ASSEMBLY  
D08 HYDAC

A014030



**3.5**

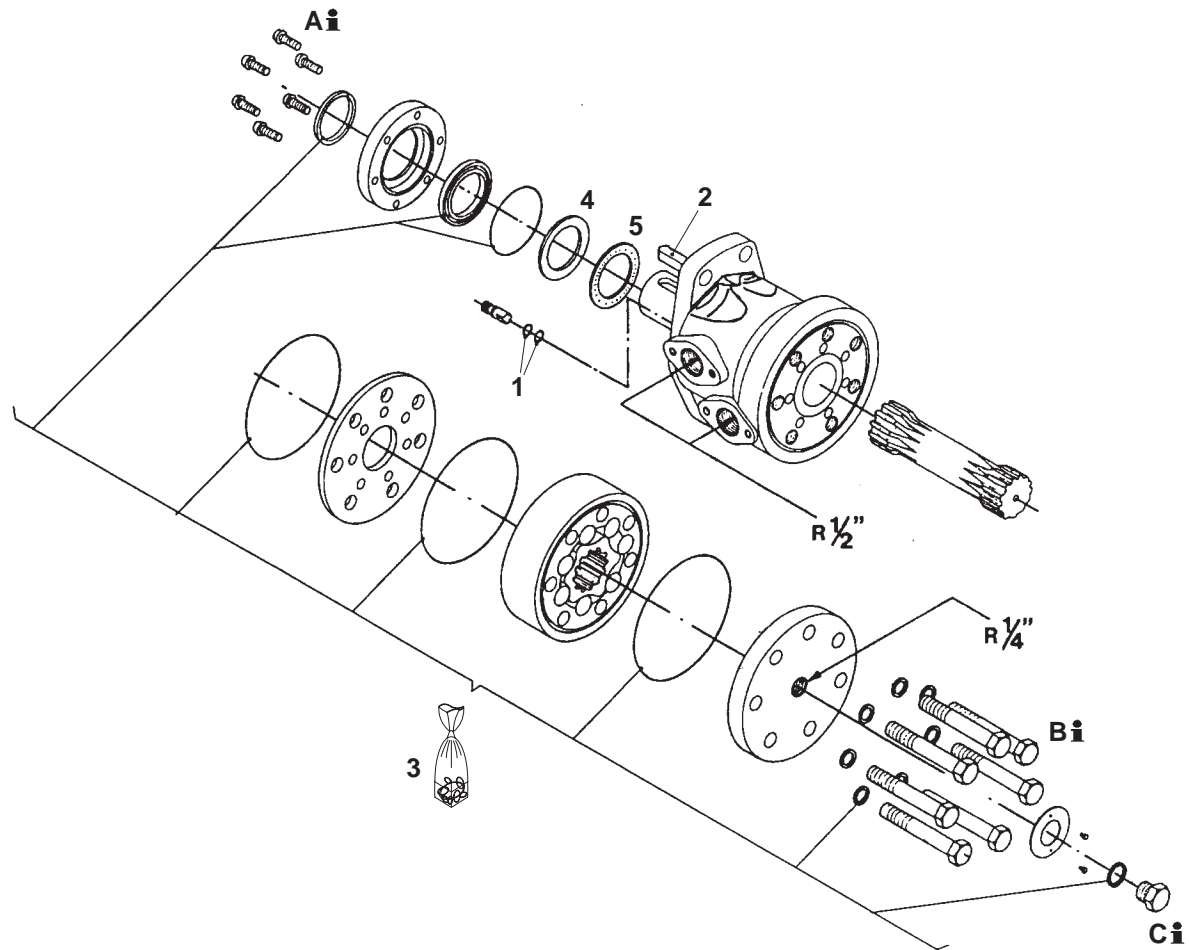
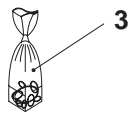
A91234-0505



ЗАПЧАСТИ ДЛЯ БЕТОННАСОСОВ  
+79180710333

<b>i</b>	
Md	A = 5–8 Nm
	B = 52–57 Nm
	C = 30–60 Nm

(1-5)  
0



**3.6**  
12067-9407  
TD: Schöneck



Hydr.-Motor OMH500  
Hydr. motor OMH500  
Moteur hydr. OMH500  
Motor hidr. OMH500

238130001

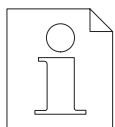
1 2

**3.6**  
12067-9704



ЗАПЧАСТИ ДЛЯ БЕТОННАСБОСОВ  
+79180710333

0	238130001	1	Hydr.-Motor	OMH500	Hydr. motor	Moteur hydr.	Motor hidr.
1	041036004	4	.O-Ring	5x1,5 DIN3770NB70	.O-ring	.Joint torique	.Junta tórica
2	247910005	1	.Paßfeder	A10x8x45 DIN6885	.Adjusting spring	.Clavette d'assemblage	.Chaveta de ajuste
3	239696007	1	.Dichtsatz		.Set of seals	.Jeu de joints	.Juego de juntas
4	281046003	1	.Anlaufscheibe		.Washer	.Disque de démarrage	.Disco de arranque
5	281047002	1	.Nadellager		.Needle bearing	.Roulement à aiguilles	.Cojinete de agujas



Hydr.-Motor OMH500  
Hydr. motor OMH500  
Moteur hydr. OMH500  
Motor hidr. OMH500

238130001

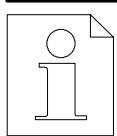
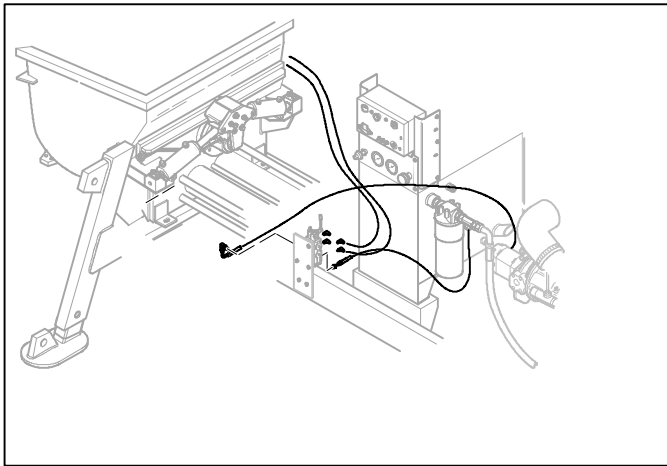
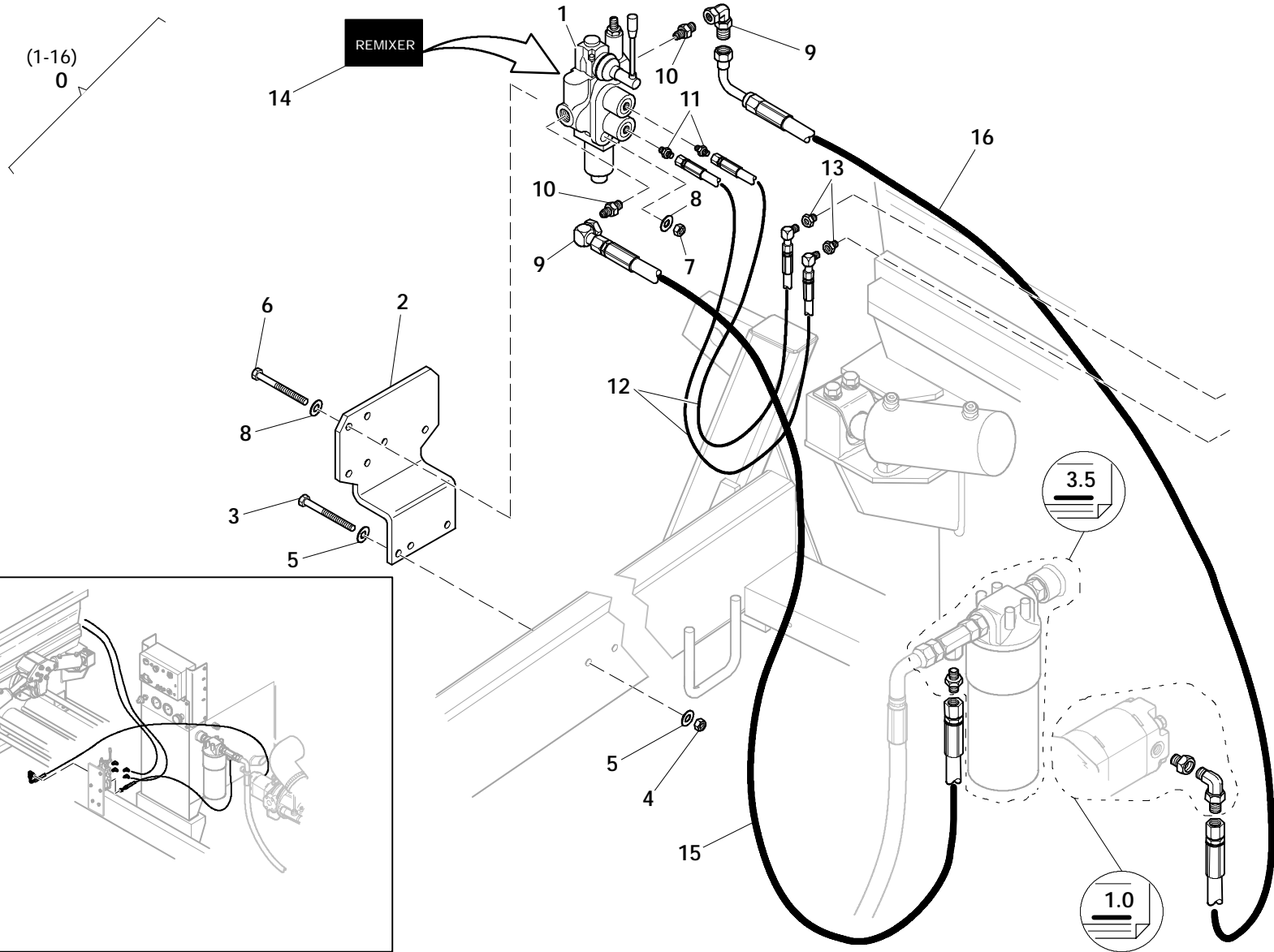


**3.6**

12067-9704



**ЗАПЧАСТИ ДЛЯ БЕТОННАСОСОВ**  
**+79180710333**



REMIXER HYDRAULIC COMPONENTS  
(TK 40/50/50HP/KK/70/70HP)

A029116

1 2

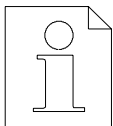
4.2

A90195-0411



ЗАПЧАСТИ ДЛЯ БЕТОННАСОСОВ  
+79180710333

0	A029116	1	REMIXER HYDRAULIC COMPONENTS	TK40/50/50HP/KK/70/70HP	
1	AT311658	1	.1-SPOOL VALVE	RMX	2.1-A90516
2	A001940	1	.BRACKET	1-SPOOL VALVE	
3	AT303420	2	.HHCS	3/8-16 X 3 1/4 GR.5 ZP	
4	A971165	2	.NUT, TOP LOCK	3/8-16 GR.B CADWX	
5	AT302506	4	.WASHER, FLAT	3/8 SAE CP	
6	AT301221	2	.HHCS	5/16-18 X 2 1/4 GR.5 ZP	
7	A971166	2	.NUT, TOP LOCK	5/16-18 GRB CADW	
8	A971283	4	.WASHER, FLAT	5/16 SAE ZP	
9	044072007	2	.COUPLING	EWSD 15L	
10	291409009	2	.FITTING	8MB-15L	
11	044172004	2	.COUPLING	GES 12L /9 /16-18UNF	
12	A041585	2	.HY-HOSE	12L X 2340	
13	A312542	2	.FITTING	GES 12L / R1 / 2 A3L	
14	A800300	1	.DECAL	REMIXER-TK	
15	A041584	1	.HY-HOSE	15L X 900	
16	A041430	1	.HY-HOSE	15L X 1600	



REMIXER HYDRAULIC COMPONENTS  
(TK 40/50/50HP/KK/70/70HP)

A029116



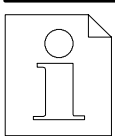
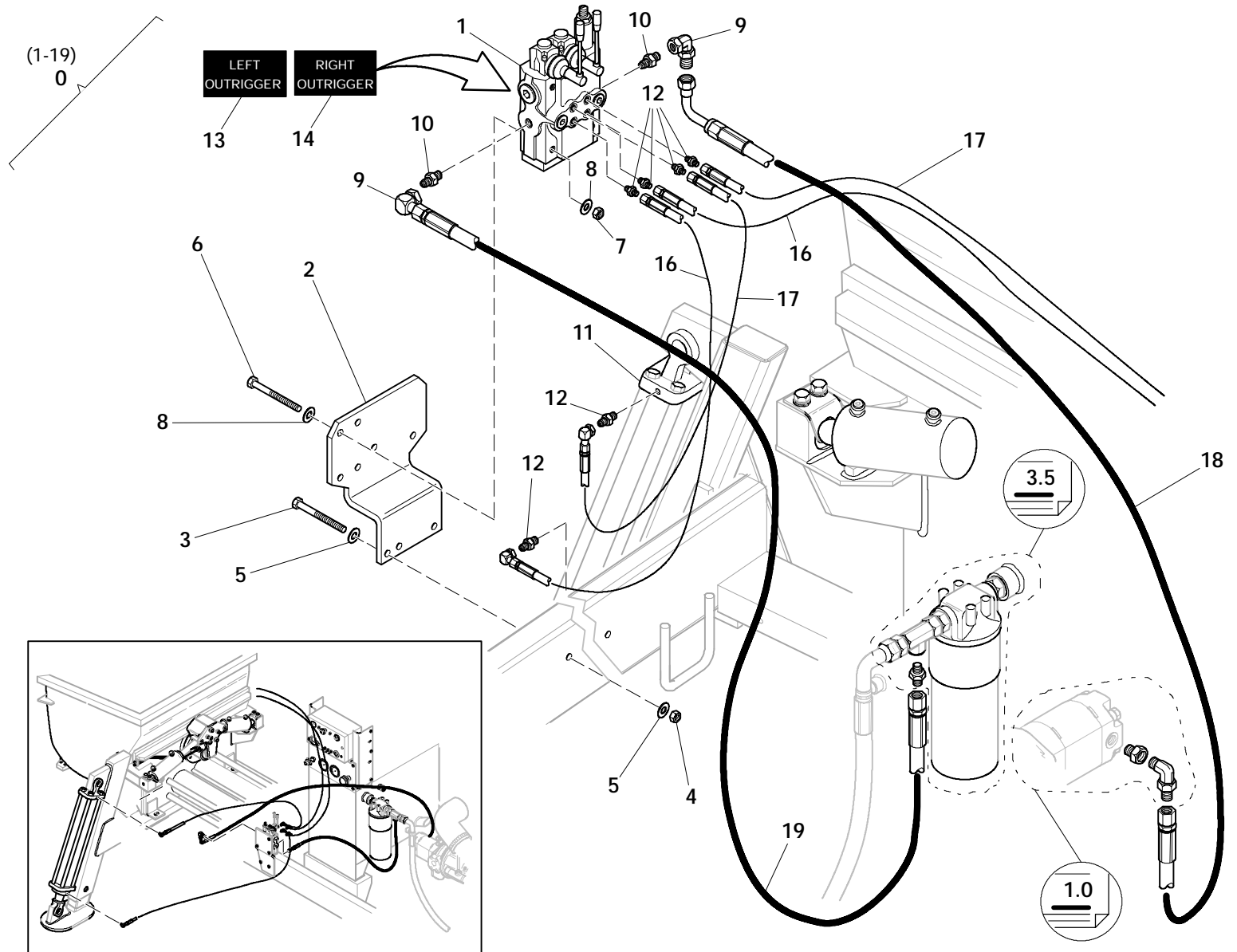
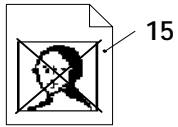
4.2

A90195-0411



ЗАПЧАСТИ ДЛЯ БЕТОННАСОСОВ  
+79180710333





OUTRIGGER HYDRAULIC COMPONENTS  
(TK 40/50/50HP/KK/70/70HP)

A094034



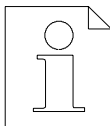
4.2

A90949-0411



ЗАПЧАСТИ ДЛЯ БЕТОННАСОСОВ  
+79180710333

0	A094034	1	OUTRIGGER HYDRAULIC COMPONENTS	TK40/50/50HP/KK/70/70HP	
1	A023001	1	.2-SPOOL VALVE	OUTR/OUTR	2.1-A90517
2	A001940	1	.BRACKET	2-SPOOL VALVE	
3	AT303420	2	.HHCS	3/8-16 X 3 1/4 GR.5 ZP	
4	A971165	2	.NUT, TOP LOCK	3/8-16 TOP GR.B CADWX	
5	AT302506	4	.WASHER, FLAT	3/8 SAE CP	
6	AT303437	3	.HHCS	5/16-18 X 2 3/4 GR.5 ZP	
7	A971166	3	.NUT, TOP LOCK	5/16-18 GRB CADW	
8	A971283	6	.WASHER, FLAT	5/16 SAE ZP	
9	044072007	2	.COUPLING	EWSD 15L	
10	291409009	2	.FITTING	8MB-15L	
11	A094016	2	.HYD. CYL, OUTRIGGER	TK, 2 X 14	3.4-A90664
12	216029008	8	.FITTING	GES 8L / 9 / 16 18UNF	
13	A800298	1	.DECAL	LEFT OUTRIGGER-TK	
14	A800299	1	.DECAL	RIGHT OUTRIGGER-TK	
15	A041586	1	.HY-HOSE KIT OUTR	TK	
16	A041587	2	..HY-HOSE	8L-8L90 X 2100	
17	A041588	2	..HY-HOSE	8L-8L90- X 2410	
18	A041430	1	..HY-HOSE	15L X 1600	
19	A041584	1	..HY-HOSE	15L X 900	



OUTRIGGER HYDRAULIC COMPONENTS  
(TK 40/50/50HP/KK/70/70HP)

A094034



4.2

A90949-0411



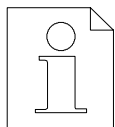
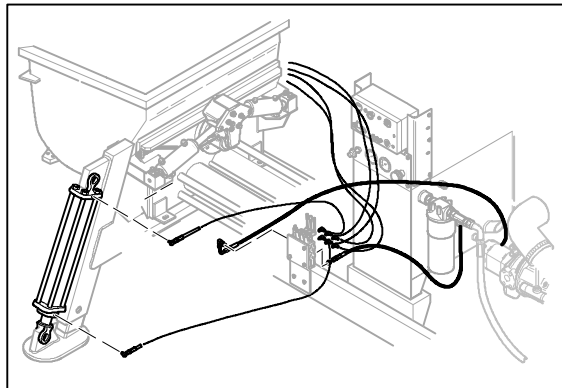
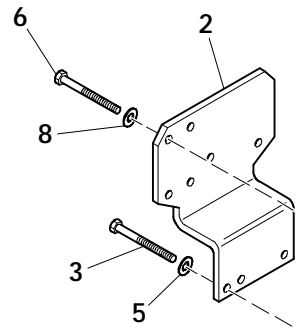
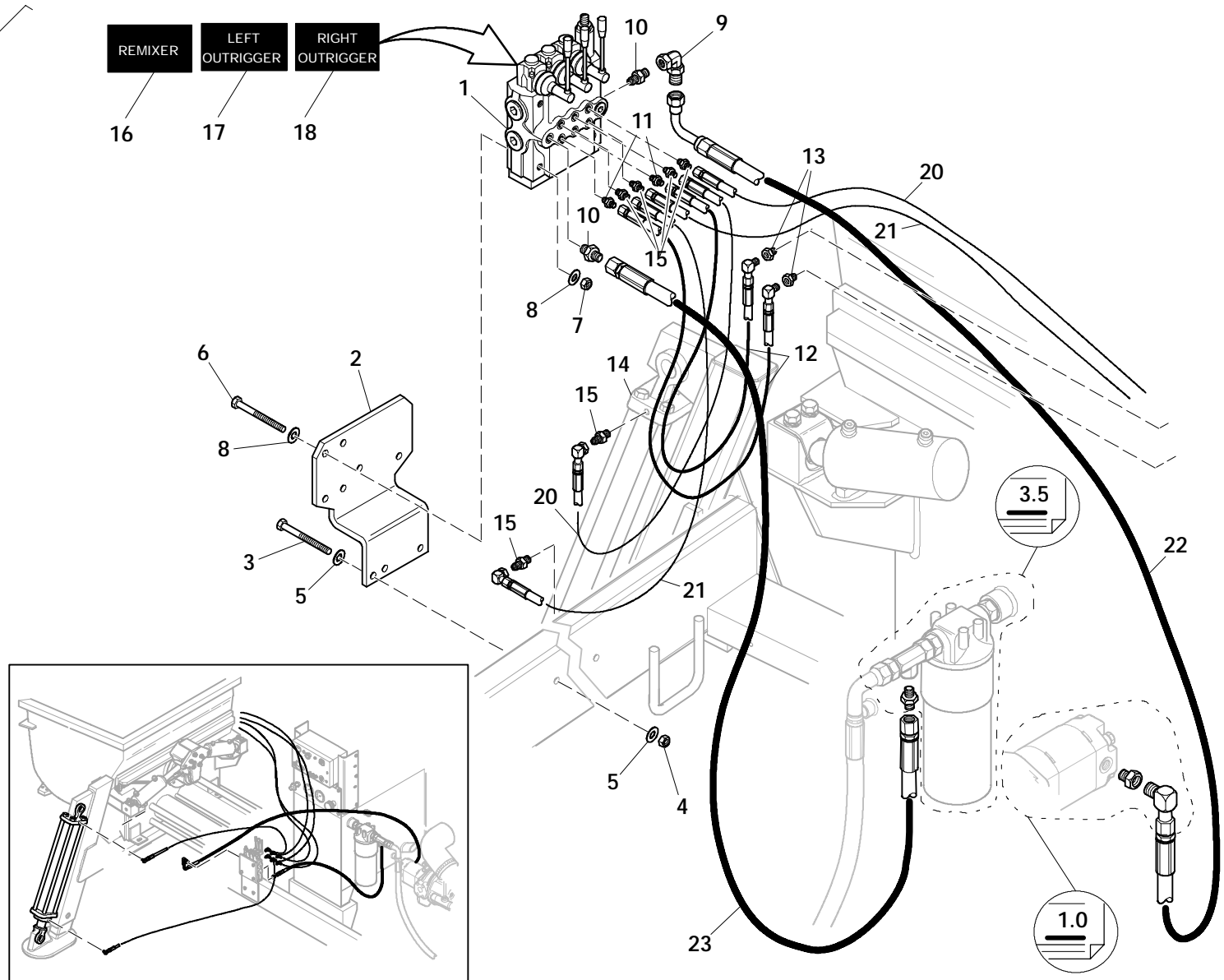
ЗАПЧАСТИ ДЛЯ БЕТОННАСОСОВ  
+79180710333



19

(1-23)  
0

16	17	18
REMIXER	LEFT OUTRIGGER	RIGHT OUTRIGGER



OUTRIGGER/REMIXER  
HYDRAULIC COMPONENTS  
(TK40/50/50HP/KK/70/70HP)

A094035

1	2
---	---

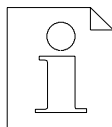
# 4.2

A90953-0411



ЗАПЧАСТИ ДЛЯ БЕТОННАСОСОВ  
+79180710333

0	A094035	1	OUTRIGGER/REMIXER HYDRAULIC COMPONENTS	TK40/50/50HP/KK/70/70HP	
1	AT311638	1	.3-SPOOL VALVE	OUTR/OUTR/RMX	2.1-A90518
2	A001940	1	.BRACKET	3-SPOOL VALVE	
3	AT303420	2	.HHCS	3/8-16 X 3 1/4 GR.5 ZP	
4	A971165	2	.NUT, TOP LOCK	3/8-16 TOP GR.B CADWX	
5	AT302506	4	.WASHER, FLAT	3/8 SAE CP	
6	AT303437	3	.HHCS	5/16-18 X 2 3/4 GR.5 ZP	
7	A971166	3	.NUT, TOP LOCK	5/16-18 GRB CADW	
8	A971283	6	.WASHER, FLAT	5/16 SAE ZP	
9	044072007	1	.COUPLING	EWSD 15L	
10	291409009	2	.FITTING	8MB-15L	
11	044172004	2	.COUPLING	GES 12L /9 /16-18UNF	
12	A041445	2	.HY-HOSE	12L X 1700	
13	A312542	2	.FITTING	GES 12L / R1 / 2 A3L	
14	A094016	2	.HYD. CYL, OUTRIGGER	TK, 2 X 14	3.4-A90664
15	216029008	8	.FITTING	GES 8L / 9 / 16 18UNF	
16	A800300	1	.DECAL	REMIXER-TK	
17	A800298	1	.DECAL	LEFT OUTRIGGER-TK	
18	A800299	1	.DECAL	RIGHT OUTRIGGER-TK	
19	A041586	1	.HY-HOSE KIT OTR	TK	
20	A041588	2	..HY-HOSE	8L-8L90 X 2410	
21	A041587	2	..HY-HOSE	8L-8L90 X 2100	
22	A041430	1	..HY-HOSE	15L X 1600	
23	A041584	1	..HY-HOSE	15L X 900	



OUTRIGGER/REMIXER  
HYDRAULIC COMPONENTS  
(TK40/50/50HP/KK/70/70HP)

A094035



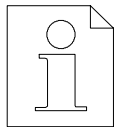
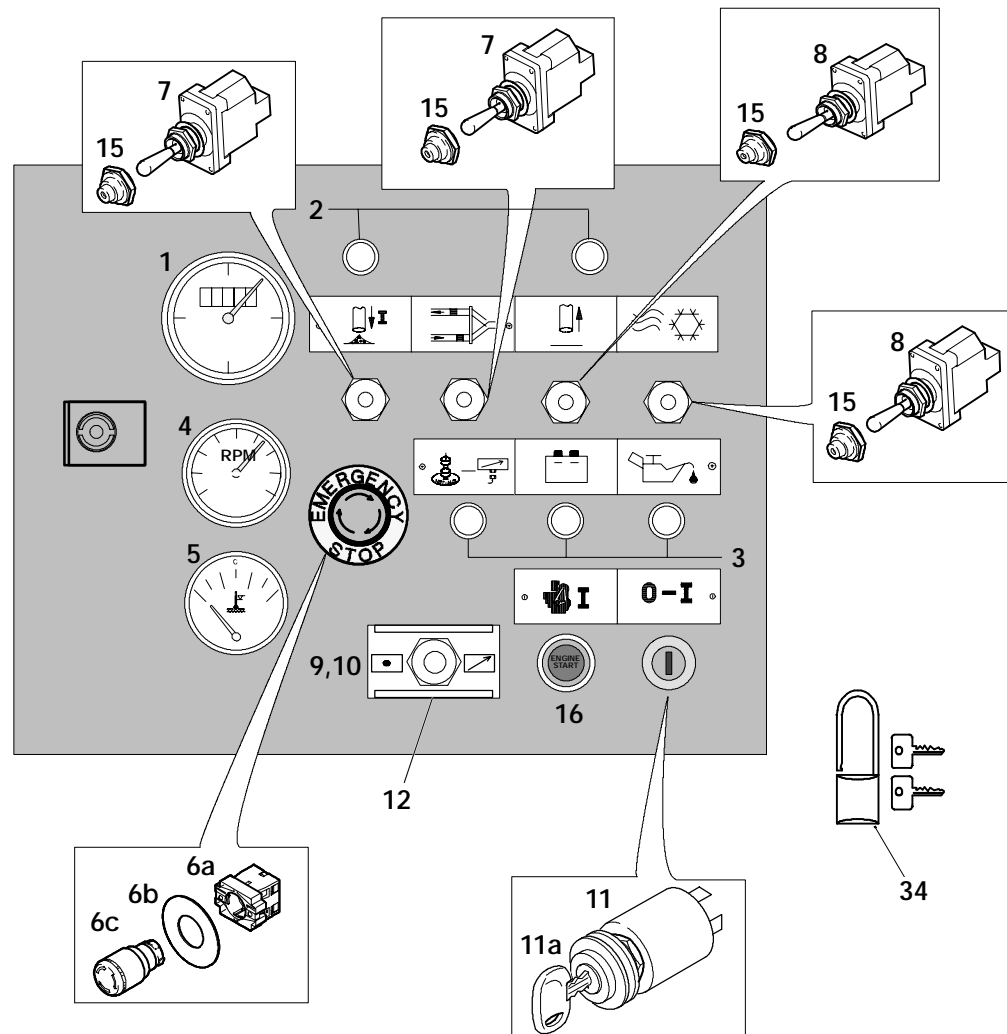
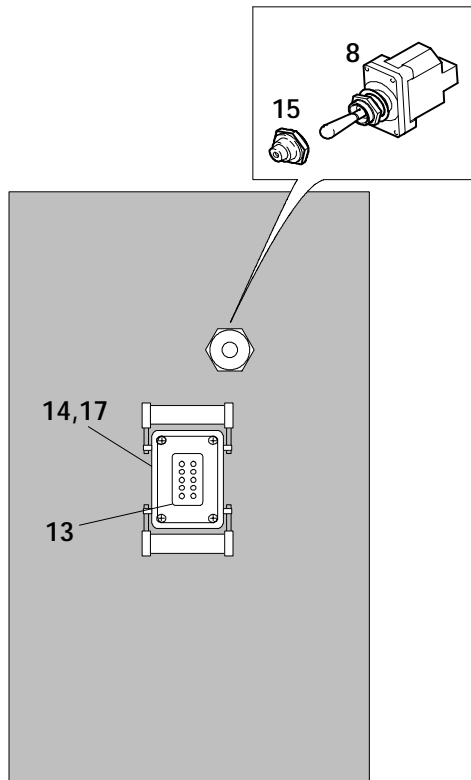
4.2

A90953-0411



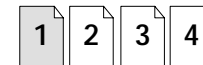
ЗАПЧАСТИ ДЛЯ БЕТОННАСОСОВ  
+79180710333

(1-40)  
0



TK Steuerschrank 12V  
TK Control cabinet 12V  
TK Armoire de commande 12V  
TK Armario de mando 12V

A051173



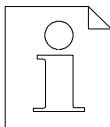
5.2

A91203-0411



ЗАПЧАСТИ ДЛЯ БЕТОНОНАСОСОВ  
+79180710333

0	A051173	1	Steuerschrank	12V	Control cabinet	Armoire de commande	Armario de mando
1	026034005	1	.Betriebsstundenzähler	1P1	.Operating hours meter	.Compteur heures marche	.Cuentahoras
2	247102004	2	.Leuchtdiode, grün	4H12, 5H3	.Light-emitt. diode, green	.Diode lumineuse, verte	.Diodo luminoso, verde
3	246799007	3	.Leuchtdiode, rot	1H1, 1H2, 2H3	.Light-emitting diode, red	.Diode lumineuse, rouge	.Diodo luminoso, rojo
4	A052484	1		2P2	.RPM Gauge		
5	A052483	1	.Fernthermometer	2P3	.Temperature Gauge	.Téléthermomètre	.Termometro a distancia
6	A052786	1	.Kipptaster		..E-Stop push button assy	.Clé basculante	Tecla basculante
6a	243732009	1	..Schaltglied für Taster		..E-stop switch block	..Elém. de circuit p.bouton	..Elem. d.conex. p.pulsador
6b	066870009	1	..Anzeigeschild für Taster		..Sign for E-stop	..Plaque indicatr.p.bouton	..Placa p.pulsador
6c	067165001	1	..Drucktaster		..E-stop button	..Bouton poussoir	..Tecla de empuje
7	067034006	2	.Kippschalter	3S2, 5S12	.Toggle switch	.Interrupteur basculant	.Interruptor basculante
8	067032008	2	.Kipptaster	5S4, 2S19, optional: 2S7	.Flip switch	.Clé basculante	.Tecla basculante
9	258632000	1	.Kippschalter	5S44	.Toggle switch	.Interrupteur basculant	.Interruptor basculante
10	244354004	1		for 5S44	.Rubber cap	..	
11	A052482	1		1S1	.Switch Key Complete		
11a	257556006	2	...Schlüssel		..Key for Switch Key	Clé	Llave
12	273379005	1		30mm toggle aluminum	.Switch guard		
13	065221002	1	.Steckereinsatz	X81 (10 pol.)	.Plug insert	.Insert de fiche	.Cartucho de enchufe
14	065219001	1	.Anbaugehäuse	X81 (10-pol.)	.Add-on housing	.Carter annexe	.Caja de anejo
15	067037003	4	.Gummikappe		.Rubber cap	.Capuchon en caoutchouc	.Caperuza de goma
16	AT316674	1	.Drucktaster	1S1.1	.Engine start switch	..Bouton poussoir	.Tecla de empuje
17	247628009	1		for X81	.Plastic cover	..	



TK Steuerschrank 12V  
TK Control cabinet 12V  
TK Armoire de commande 12V  
TK Armario de mando 12V

A051173

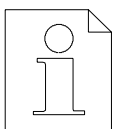
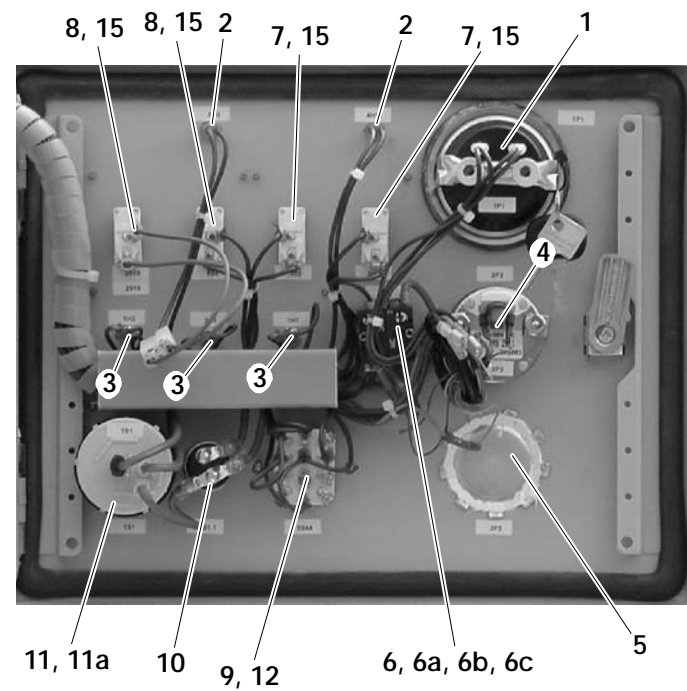
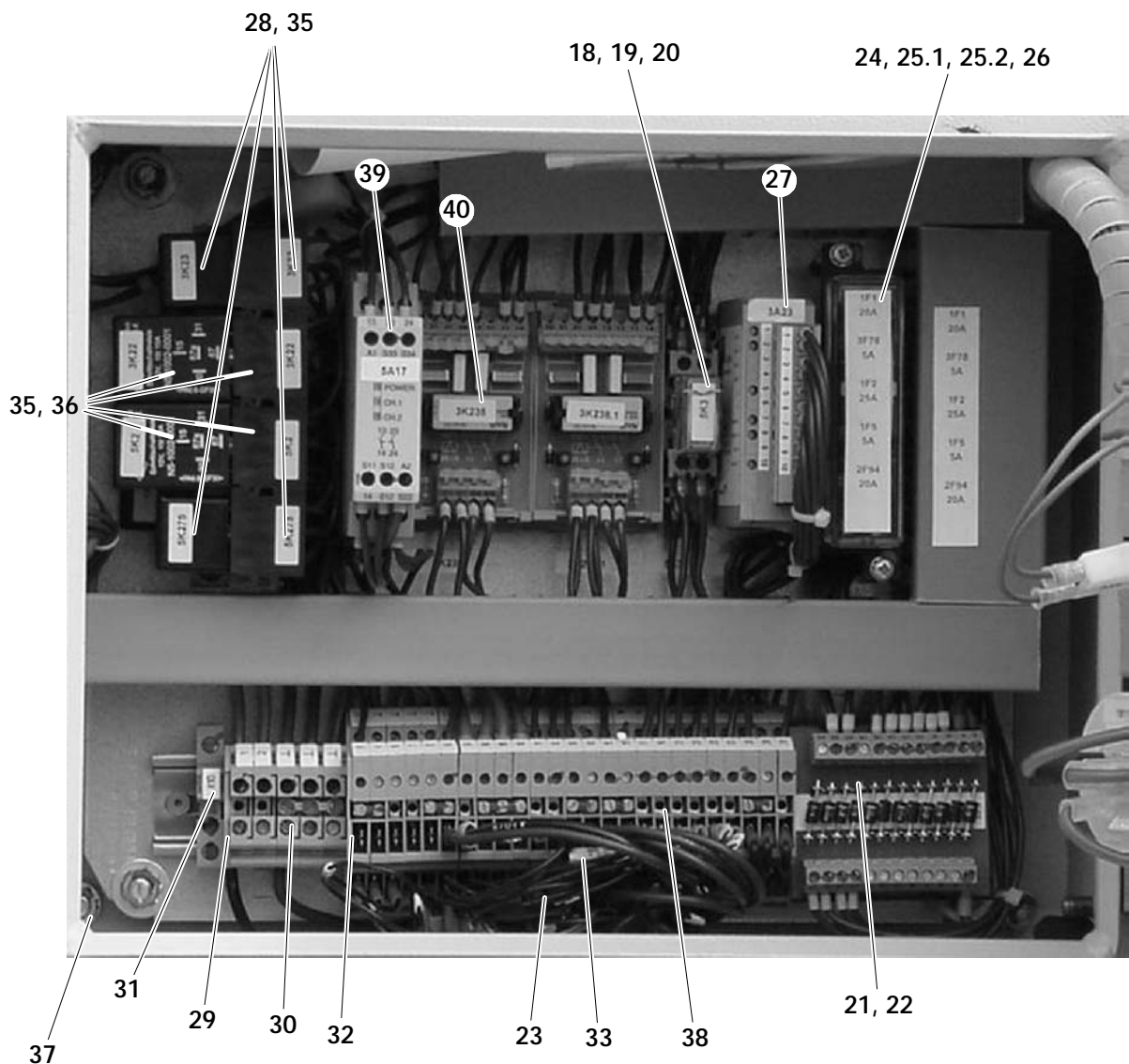


5.2

A91203-0411

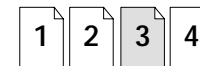


ЗАПЧАСТИ ДЛЯ БЕТОННАСОСОВ  
+79180710333



TK Steuer cabinet 12V  
TK Control cabinet 12V  
TK Armoire de commande 12V  
TK Armario de mando 12V

A051173



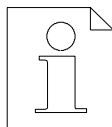
5.2

A91203-0411



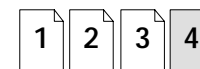
ЗАПЧАСТИ ДЛЯ БЕТОННАСОСОВ  
+79180710333

18	066408002	1	.Steckfassung	5K3	.Plug-in socket	.Douille à prise de cour.	.Base de enchufe
19	066409001	1	.Haltebügel	5K3	.Fixing bracket	.Etrier support	.Estribo de fijación
20	066638005	1	.Relais	5K3	.Relay	.Relais	.Rele
21	224152006	1	.Montageplatte	X48	.Mounting plate	.Plaque de montage	.Placa de montaje
22	065151004	12	.Diode	1V7,2V8,4V1,4V2,4V3,4V4,4V5,5V6,5V11,5V16,5V17,5V18	.Diode	.Diode	.Diodo
23	454588	1	.Diode	3V21	.Diode, Zener	.Diode	.Diodo
24	232275001	2	.KFZ-Sicherung	5A: 1F5, 3F78	.Fuse for vehicle	.Fusible de véhicule	.Fusible del vehículo
25.1	232279007	2	.KFZ-Sicherung	20A: 1F1, 2F94	.Fuse for vehicle	.Fusible de véhicule	.Fusible del vehículo
25.2	232280009	1	.KFZ-Sicherung	25A: 1F2	.Fuse for vehicle	.Fusible de véhicule	.Fusible del vehículo
26	232282007	1			.Fuse, Holder, ATO		
27	266787002	1	.POH-Umsteuerelektronik	3A23	.POH reverse electronic	.POH électron. d'inversion	.POH inversion electronica
28	065033009	4	.Relais	1K4, 2K19, 3K23, 5K275, (2K181 OPTIONAL VIBRATOR)	.Relay	.Relais	.Relé
29	A052781	1	.Abschlußplatte	10qmm	.Cover plate	.Plaque de finition	.Placa final
30	A052782	5	.Klemmleiste	10qmm	.Terminal	.Reglette de bornes	.Regleta de bornes
31	A052780	1	.Endwinkel		.End Bracket	.Equerre terminal	.Angulo terminal
32	239575005	1	.Abschlußplatte	F. Binder	.Cover Plate	.Plaque de finition	.Placa final
33	253396008	1		68 Ohm, 5 watt, 2R1	.Resistor		
34	273460008	1			.Padlock for switch guard		
35	062156002	7	.Stecksocket		.Plug-in socket	.Connecteur multi-broche	.Base de enchufe
36	278494008	2	.Relais	3K22,5K2	.Relay	.Relais	.Relé
37	A052758	4			.Rubber Buffer		
38	A052783	25	.Klemmleiste	Double Plug-in	.Terminal	.Reglette de bornes	.Regleta de bornes
39	A052366	1	.Relais	5A17	.E-Stop Relay	.Relais	.Relé
40	247103003	2	.Relaismodul	3K238, 3K238.1	.Relay module	.Module de relais	.Modulo de rele



TK Steuerschrank 12V  
TK Control cabinet 12V  
TK Armoire de commande 12V  
TK Armario de mando 12V

A051173



5.2

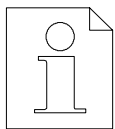
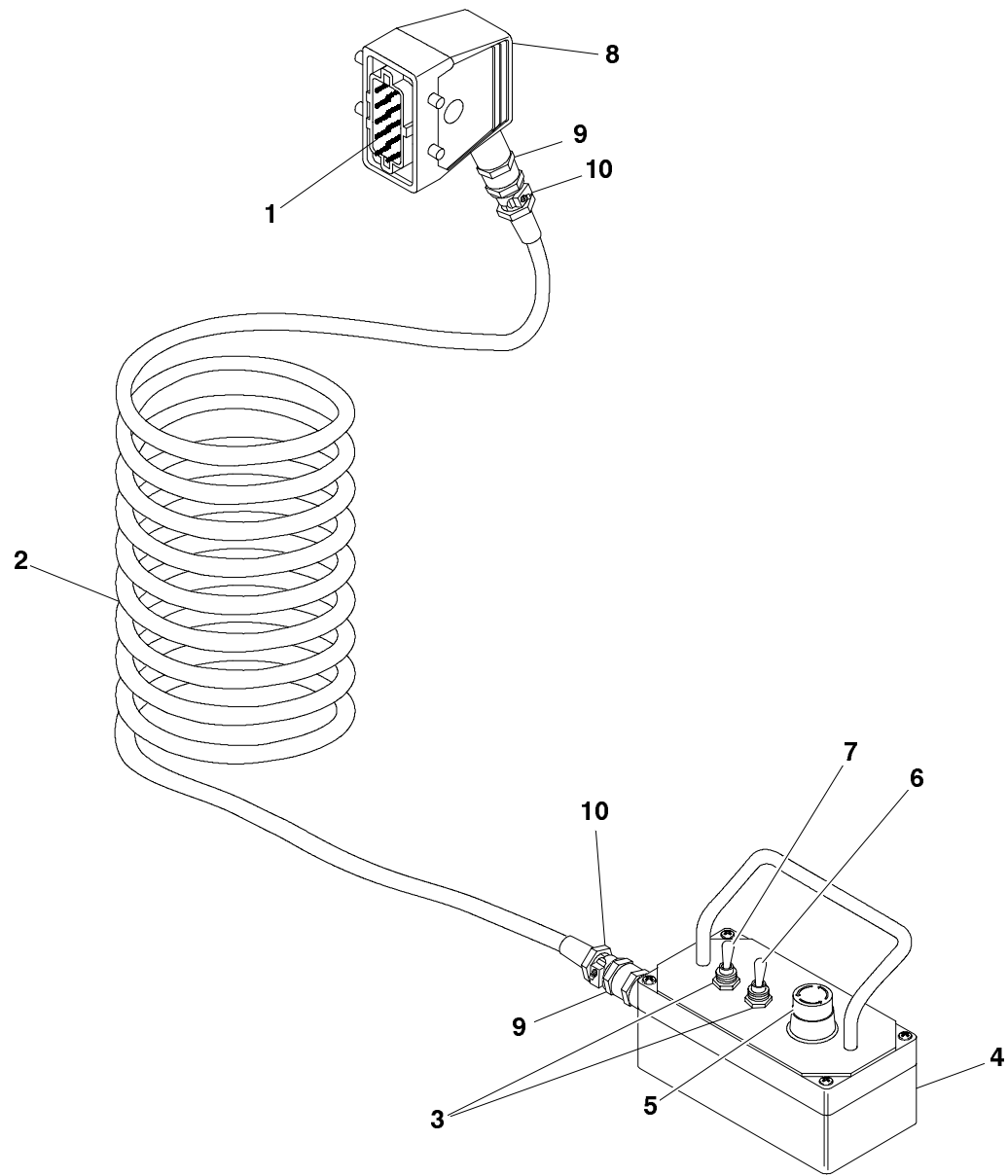
A91203-0411



ЗАПЧАСТИ ДЛЯ БЕТОННАСОСОВ  
+79180710333

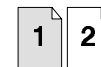


(1-10)  
0



THOMKATT CABLE REMOTE

A051174



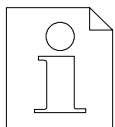
5.3

A91204-0209



ЗАПЧАСТИ ДЛЯ БЕТОННАРОБОТ  
+79180710333

0	A051174	1	THOM-KATT CABLE REMOTE CONTROL	
1	065220003	1	.MULTI-PLUG INSERT (with pins)	10P
2	A052480	1	.CABLE, 7-WIRE	7X1qmm, OELFLEX
3	244354004	2	.RUBBER CAB W/ SEAL RING	
4	A052481	1	.HOUSING	
5	A052479	1	.E-STOP BUTTON	
6	067034006	1	.TOGGLE SWITCH	
7	067032008	1	.FLIP SWITCH	8530K9
8	065218002	1	.BUSH HOUSING	
9	261694006	2	.SCREWED CABLE GLAND	
10	041743009	2	.REDUCING RING	



THOMKATT CABLE REMOTE

A051174

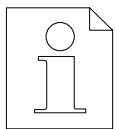
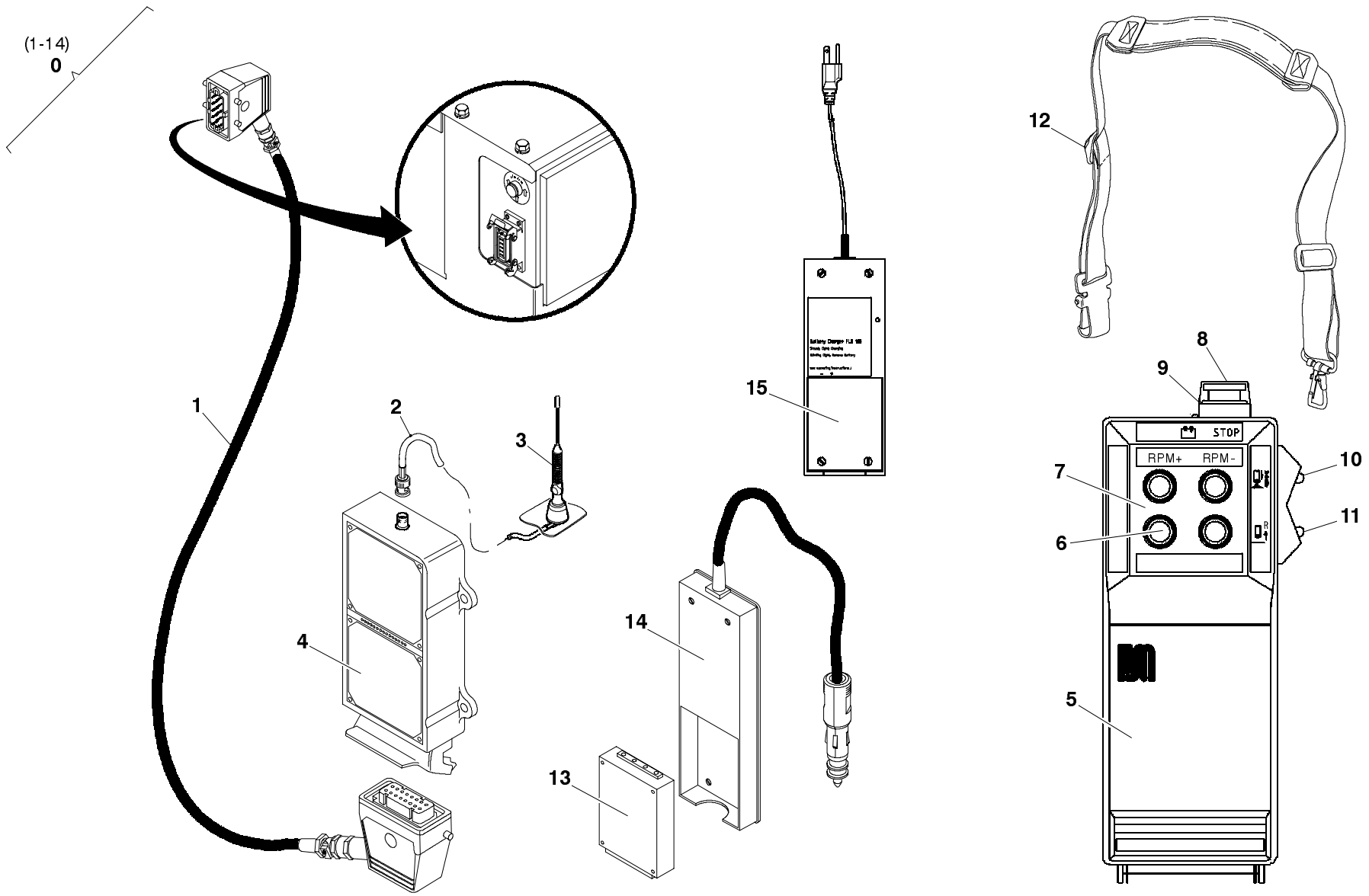


**5.3**

A91204-0209



ЗАПЧАСТИ ДЛЯ БЕТОННАСОСОВ  
+79180710333



RADIO REMOTE CONTROL  
(MODEL 707)

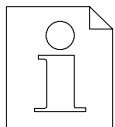
1 2

**5.3**  
A91213-0305



ЗАПЧАСТИ ДЛЯ БЕТОНОВИКОСОВ  
+79180710333

0.1	A053157	1	Funkfernsteuerung, prop.	HBC 707 (3-function)	Radio remote.control, prop.	Radio-télécommande prop.	Radio-telemando proporci
0.2	A053158	1	Funkfernsteuerung, prop.	HBC 707 (4-function)	Radio remote.control, prop.	Radio-télécommande prop.	Radio-telemando proporci
1	A053151	1	.Fernsteuernkabel	2m	.Remote control cable	.Cable de télécommande	.Cable de telemando
2	A052568	1	.Antenne Kabel	5m	.Aerial Cable	.Antenne Câble	.Antena Cable
3	A052570	1	.Antenne		.Aerial	.Antenne	.Antena
4	292118001	1	.Feinsicherung	4A-MT; 250V	.Fine-wire fuse	.Fusible faible intensité	.Fusible sensible
5	A053186	1		0.5 AMP	.Pico fuse	.	
6	A053166	1	.Kippschalter		.Toggle switch	.Interrupteur basculant	.Interruptor basculante
7	A053185	1			.4-button cover		
8	A053092	1	.Drucktaster	E-stop	.Press-button switch	.Bouton poussoir	.Tecla de empuje
9	A053169	1		E-stop	.Switch guard		
10	A053187	1	.Kippschalter	Pump on/off	.Toggle switch	.Interrupteur basculant	.Interruptor basculante
11	A053165	1	.Kippschalter	Reverse pumping	.Toggle switch	.Interrupteur basculant	.Interruptor basculante
12	A960013	1	.Tragegurt		.Carrying belt	.Bretelle	.Correa portadora
13	A053072	2	.NC-Akku	500mAh	.NC battery	.Accumulateur NC	.Acumulador NC
14	A053150	1	.Ladegerät	Cigarette Lighter	.Charging set	.Groupe chargeur	.Cargador
15	A053159	1	Ladegerät	120V AC (optional)	Charging set	Groupe chargeur	Cargador



## RADIO REMOTE CONTROL (MODEL 707)



# 5.3

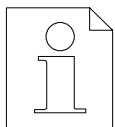
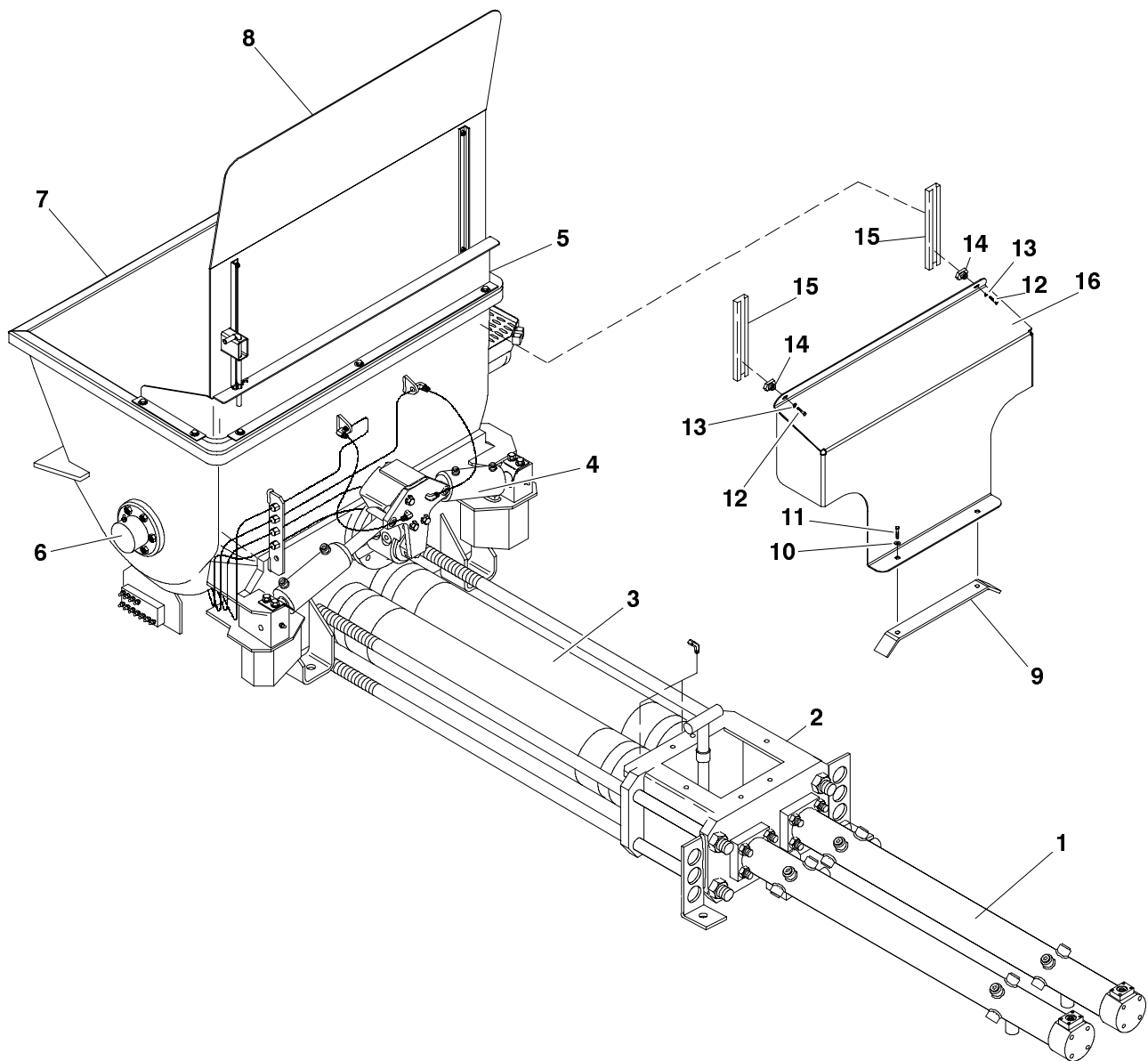
A91213-0305



ЗАПЧАСТИ ДЛЯ БЕТОННАСОСОВ  
+79180710333

(1-16)

0



FLAT PACK ASSEMBLY - RS457A  
(150X1000)

A710037



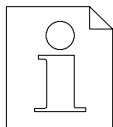
6.0

A91209-0209



ЗАПЧАСТИ ДЛЯ БЕТОННІАВІДІВ  
+79180710333

0	A710037	1	FLAT PACK ASSEMBLY - RS457A	150X1000	
1	A031034	1	.HYDRAULIC CYLINDER GROUP	1000-80/45	6.2-A91212
2	A063012	1	.WATERBOX GROUP	WK180	6.1-A91211
3	A061018	1	.DELIVERY CYLINDER GROUP	150X1000	6.1-A91210
4	431294	1	.S-TUBE GROUP	S1512	
5	431296	1	.HOPPER GROUP	RS457A	
6	410732	1	.REMIXER GROUP	RS457A	8.0-16026
7	425108	1	.5" HD OUTLET	RS457A	7.2-16294
8	A081076	1	.SPLASH GUARD ASSEMBLY	RS457A	8.5-A90940
9	A920060	1	.BRACKET MTG SHIFT CYL COVER		
10	AT302506	2	.WASHER FLAT	3/8 SAE CP	
11	AT301015	2	.HHCS	3/8-16 X 1" GR5 ZP	
12	032314007	2	.HHCS	M6X16 DIN933-8.8 ZP	
13	036504004	2	.WASHER LOCK	6 ZP	
14	021113002	2	.NUT RAIL	W1 DIN3015	
15	249416002	2	.RAIL MTG	LTS-11X1000-W1	
16	A400242	1	.COVER SHIFT CYL	RS457A	



FLAT PACK ASSEMBLY - RS457A  
(150X1000)

A710037



**6.0**

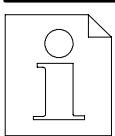
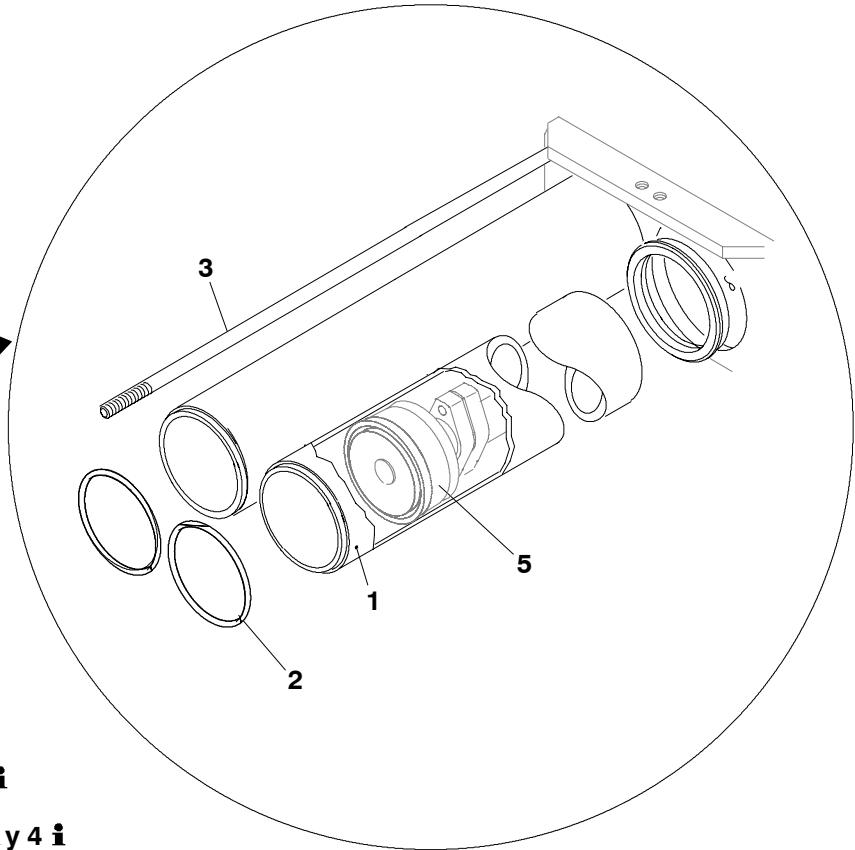
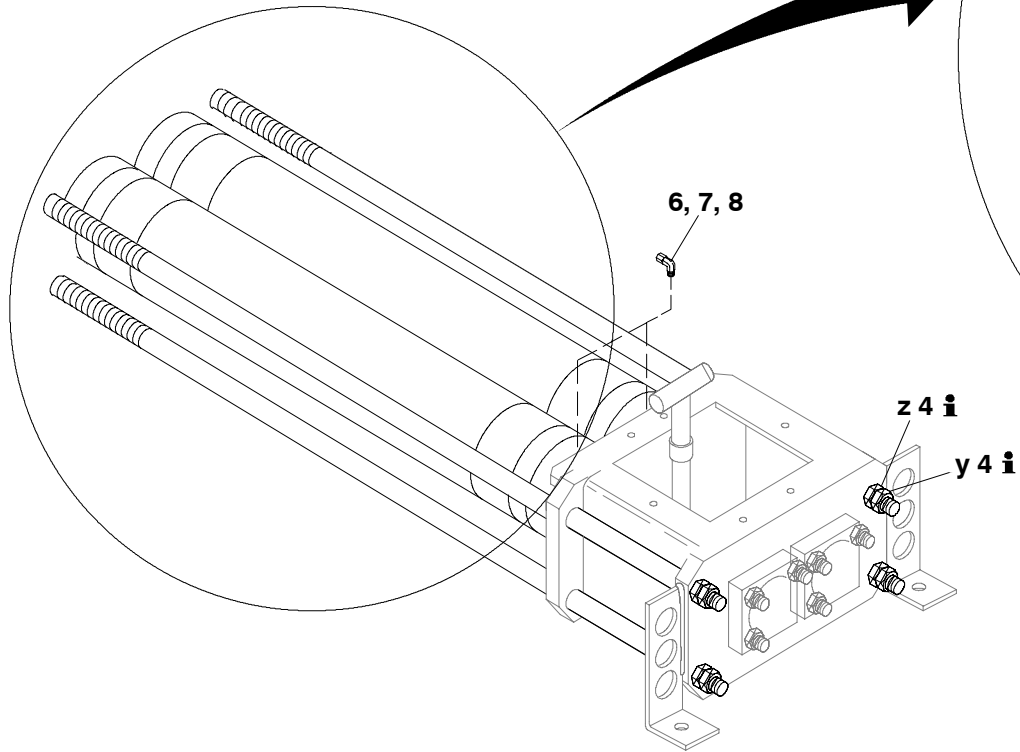
A91209-0209



ЗАПЧАСТИ ДЛЯ БЕТОННАСОСОВ  
+79180710333

<b>i</b>	
Md	y4 = 320 Nm z4 = 500 Nm

(1-8)  
0



DELIVERY CYLINDER ASSEMBLY (150X1000)

A061018



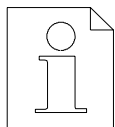
**6.1**

A91210-0401



ЗАПЧАСТИ ДЛЯ БЕТОННАСБОРКОВ  
+79180710333

0	A061018	1	DELIVERY CYLINDER ASSEMBLY	150X1000	
1	081123003	2	.DELIVERY CYLINDER	150X1000	
2	042449001	2	.O-RING	160.0X3.0 DIN3770NB70	
3	084201003	4	.TIE ROD	1580mm - M30X2.0	
4	033717001	8	.HEX NUT	M30X2.0 DIN934-8	
5	223126004	1	.DELIVERY PISTON COUPLING	180LG W/PIST D150	06.2-11829
6	044036001	2	.COUPLING	WES 6LMK	
7	041797000	2	.NUT	M6L DIN3870	
8	A312529	2	.PLUG, BLANK	VSD6L/S - A3L W/O-RING	



DELIVERY CYLINDER ASSEMBLY (150X1000)

A061018



**6.1**

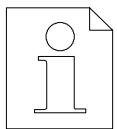
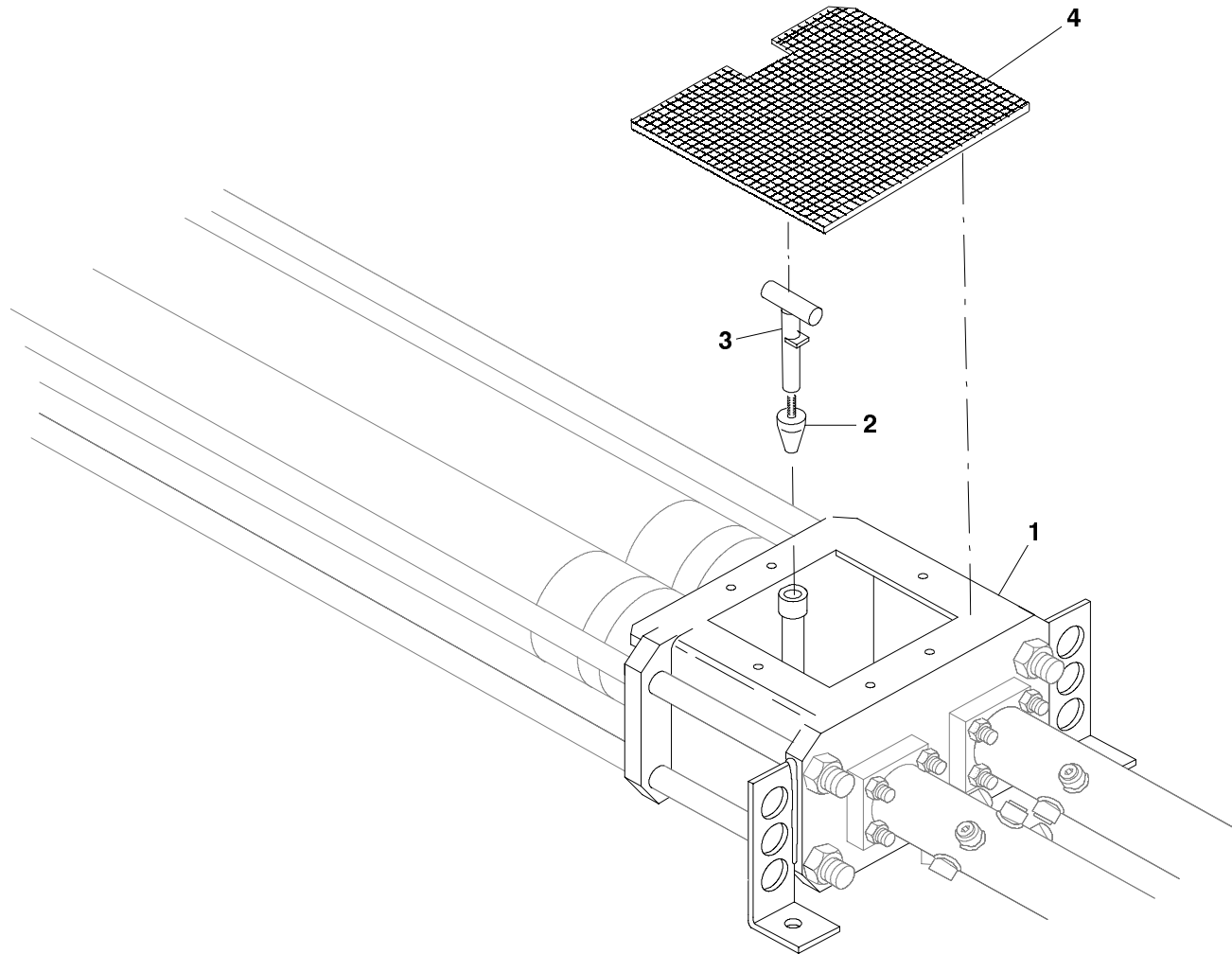
A91210-0401



ЗАПЧАСТИ ДЛЯ БЕТОННАСОСОВ  
+79180710333

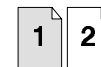


(1-4)  
0



TK WATERBOX ASSEMBLY (WK180)

A063012



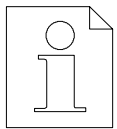
**6.1**

A91211-0209



ЗАПЧАСТИ ДЛЯ БЕТОННАРОБОТ  
+79180710333

0	A063012	1	WATERBOX ASSEMBLY	WK180 - TK
1	430982	1	.WATERBOX WELDMENT	WK180 - TK
2	019011006	1	.RUBBER STOPPER	D50 X 60 - M8 X 26
3	056887002	1	.HANDLE, WATERBOX DRAIN	
4	058013007	1	.COVER, WATERBOX	WK180/210



TK WATERBOX ASSEMBLY (WK180)

A063012


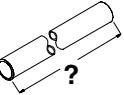


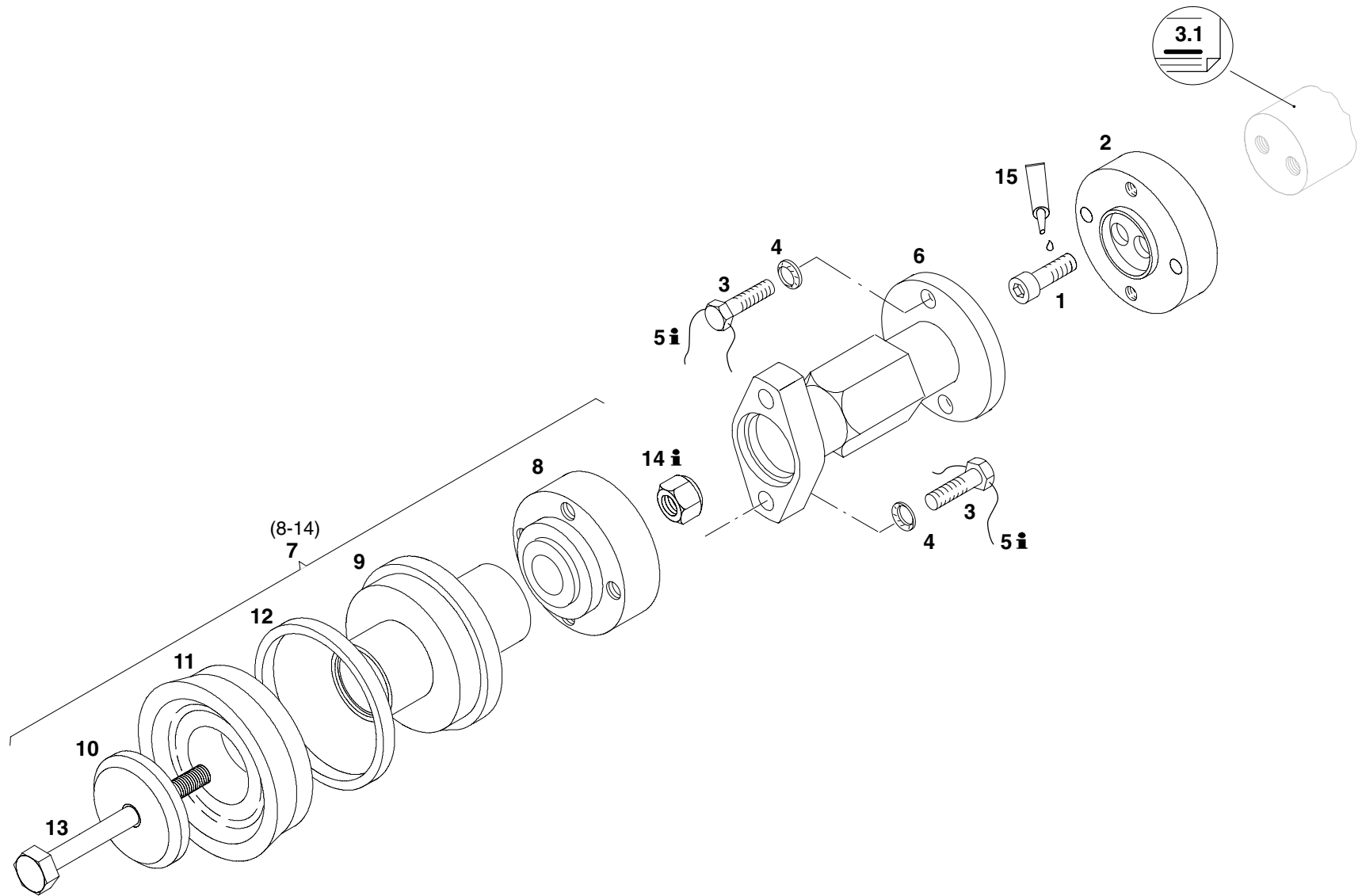
**6.1**

A91211-0209

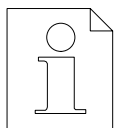


**ЗАПЧАСТИ ДЛЯ БЕТОННАСОСОВ**  
**+79180710333**

<b>i</b>	
	14
	5



 **6.2**  
11829-8812  
TD: Kühfuß



Förderkolben kpl. Ø 150  
Delivery piston cpl. Ø 150  
Piston d'alimentation cpl Ø 150  
Embolo de elevación cpl Ø 150

223126004



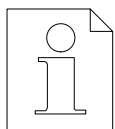
**6.2**

11829-9808



ЗАПЧАСТИ ДЛЯ БЕТОННАСОСОВ  
+79180710333

	223126004	Förderkolben kpl.	Ø 150	Delivery piston cpl.	Piston d'alimentation cpl	Embolo de elevación cpl.
1	042817002	4 Zylinderschraube	M12x40 DIN912-10.9	Cap head screw	Vis à tête cylindrique	Tornillo cilíndrico rosca
2	087539002	2 Kolbenstangenflansch		Piston rod flange	Bride tige piston	Brida d.vástago d.émbolo
3	042634007	8 Sechskantschraube	M16x50 DIN933SK-8.8	Hexagon head cap screw	Vis à tête hexagonale	Tornillo de cab.exagonal
4	036509009	8 Sicherungsscheibe	VS16	Lock washer	Rondelle d'arrêt	Arandela de seguridad
5	022425003	- Stahldraht	Ø 1 DIN177	Steel wire	Fil d'acier	Alambre de acero
6	082084002	2 Distanzflansch		Spacer flange	Bride d'écartement	Brida separadora
7	222141006	2 Förderkolben	Ø 150	Delivery piston	Piston d'alimentation	Embolo de elevación
8	087912001	2 .Anschlußstück		.Connection piece	.Pièce de raccord	.Pieza de unión
9	222274009	2 .Kolbengerüst		.Piston bench	.Piston tréteau	.Embolo soporte
10	084293008	2 .Flansch		.Flange	.Bride	.Brida
11	056839005	2 .Förderkolbenmanschette		.Delivery piston seal	.Manchette piston	.Manguito embolo de transp
12	019447007	2 .Führungsring		.Guide ring	.Bague de guidage	.Anillo-guía
13	042825007	2 .Sechskantschraube	M20x180 DIN931-8.8	.Hexagon head cap screw	.Vis à tête hexagonale	.Tornillo de cab.exagonal
14	034110005	2 .Sechskantmutter, selbstsi	M20 DIN985-10.	.Hexagonal nut, self-lock	.Ecrou hexagonale frein	.Tuerca exag., autofrenant
15	063347001	1 Befestigungsmittel		Glue	Moyen de fixation	Pegamento de fijación



Förderkolben kpl. Ø 150  
 Delivery piston cpl. Ø 150  
 Piston d'alimentation cpl Ø 150  
 Embolo de elevación cpl Ø 150

223126004

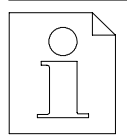
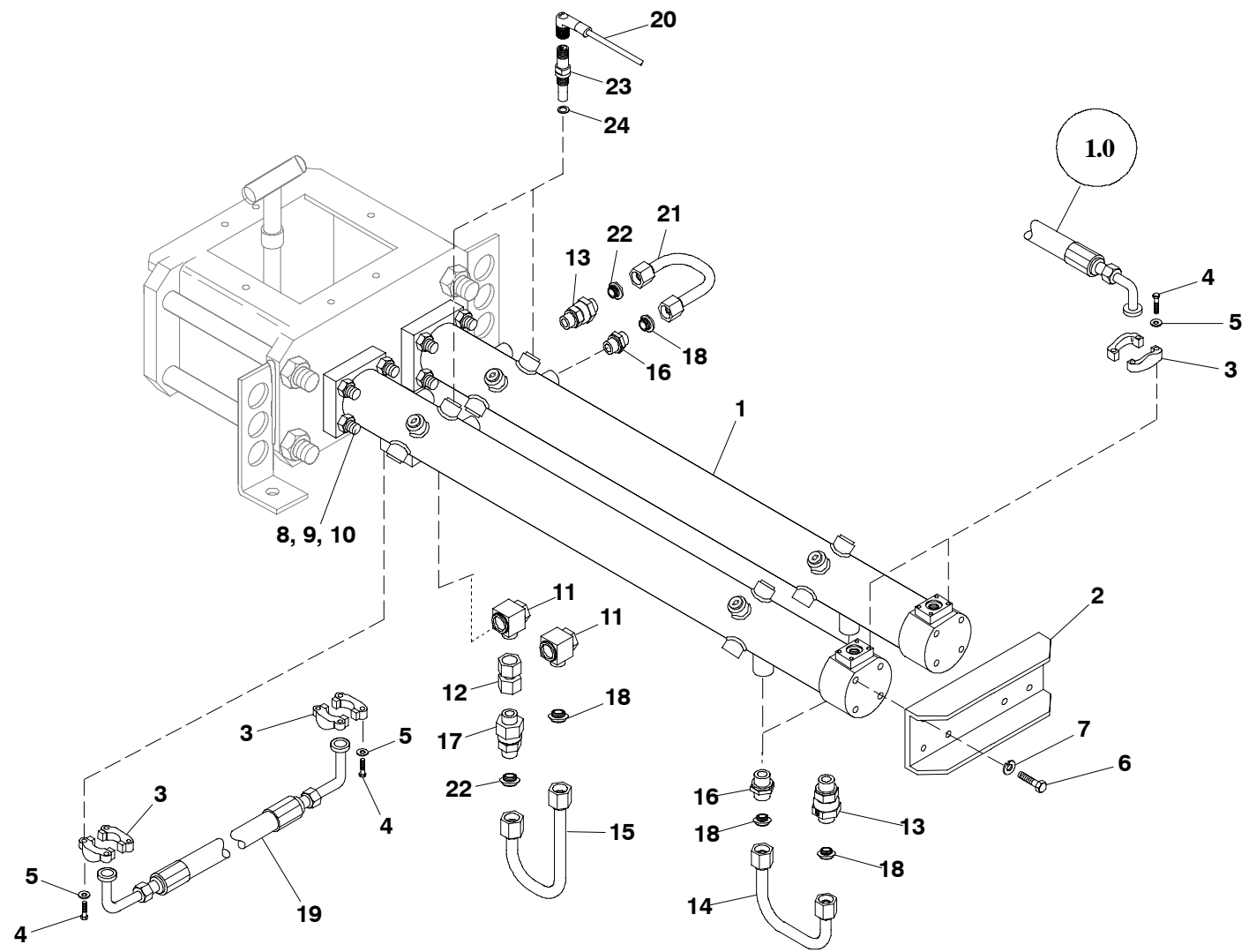


**6.2**  
 11829-9808



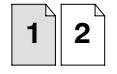
ЗАПЧАСТИ ДЛЯ БЕТОННАСОСОВ  
 +79180710333

(1-24)  
0



HYDRAULIC CYLINDER ASSEMBLY  
(1000-80/45)

A031034



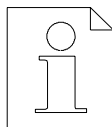
6.2

A91212-0505



ЗАПЧАСТИ ДЛЯ БЕТОННАСЕЛОВ  
+79180710333

0	A031034	1	HYDRAULIC CYLINDER ASSEMBLY	1000-80/45	
1	261092006	2	.HYDRAULIC CYLINDER	1000-80/45 Z1047-G25	3.1-13750
2	430273	1	.HYD. CYLINDER HEAD SUPPORT	A=180	
3	A041411	4	.FLANGE SET	16CFHS W/O BOLTS	
4	A381445	16	.HHCS	M10X30 DIN933-10.9 YZ	
5	036506002	16	.WASHER, LOCK	M10 GALV. RIBBED	
6	032375004	8	.HHCS	M12X20 DIN933-8	
7	036507001	8	.WASHER, LOCK	12 ZP	
8	032228009	8	.HHCS	M20X90 DIN931-8.8	
9	037112000	8	.WASHER, FLAT	21 DIN125-ST	
10	034110005	8	.NUT, NYLOCK	M20 DIN985-10 YZ	
11	A312562	2	.FITTING	RSWS 15LR WD A3L	
12	238123005	1	.COUPLING	SNV 15L	
13	044000008	3	.CHECK VALVE	15LR WD SA 5	
14	A041511	2	.HY-TUBE HEAD LOOP	15L 80/45	
15	A041510	1	.HY-TUBE ROD LOOP	15L 80/45 RHS	
16	A312543	3	.FITTING	GES 15L WD A3L	
17	044153007	1	.CHECK VALVE	RS 15L SA 5	
18	044183006	6	.INTERMEDIATE RING	BO-ZR 15L	
19	A041528	1	.HYDRAULIC HOSE	16FL90S-16FL90S X 700	
20	A051131	1	.PUMP HARNESS, THOM-KATT		
21	A041514	1	.HY-TUBE ROD LOOP	15L 80/45 LHS	
22	242591005	2	.INTERMEDIATE RING Ø1.8	BO-ZR 15L	
23	270321001	2	.MAGNETIC SWITCH	M12x1	
24	276840007	2	..SEAL RING	.	
1.0	A91243	A041602	HY-HOSE KIT	TK40	



HYDRAULIC CYLINDER ASSEMBLY  
(1000-80/45)

A031034

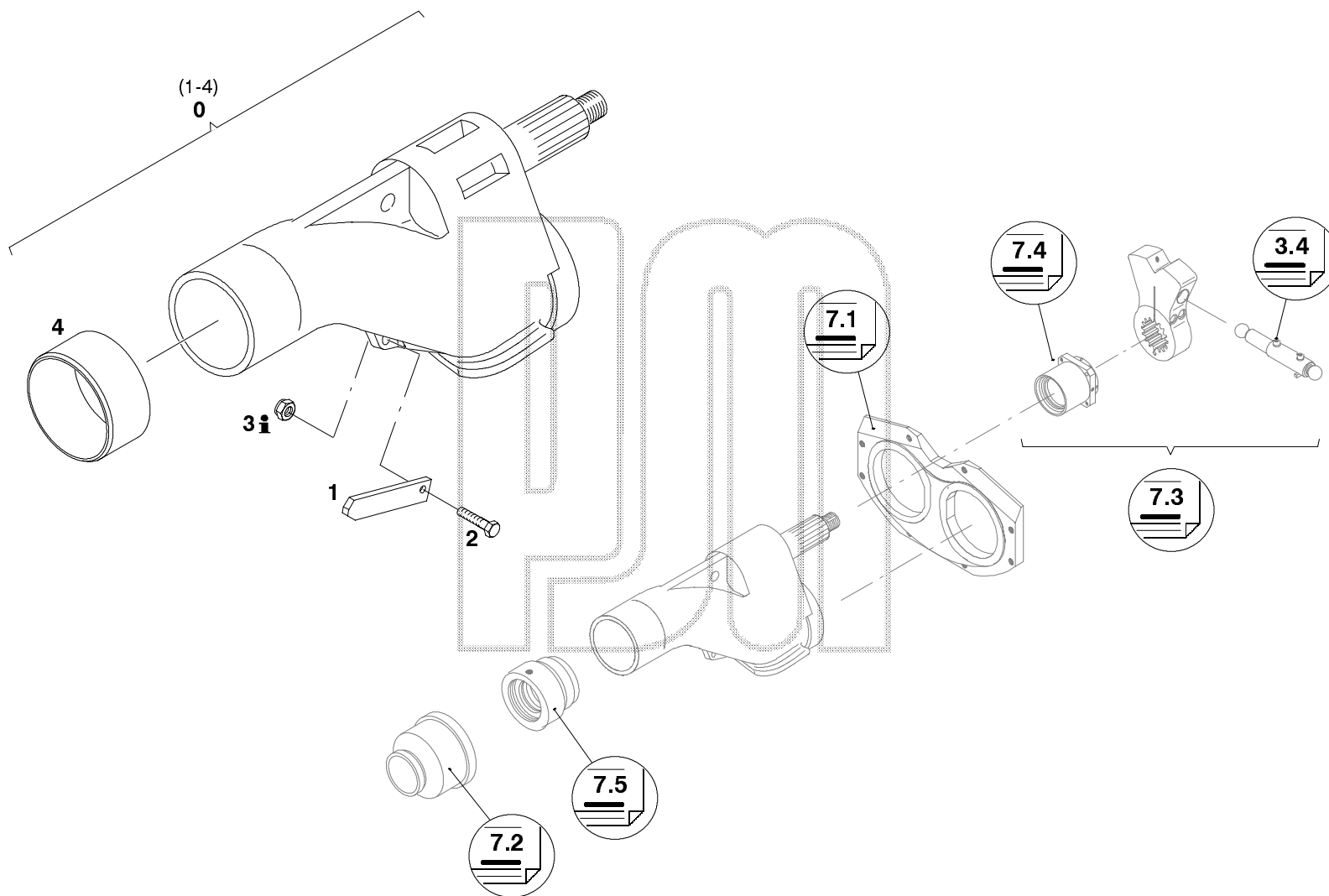
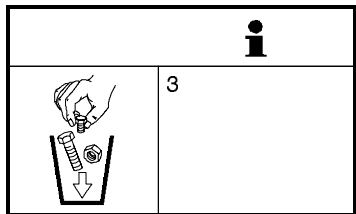


**6.2**

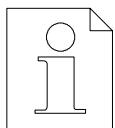
A91212-0505



ЗАПЧАСТИ ДЛЯ БЕТОННАСОСОВ  
+79180710333



TD: Lutzeyer



S-Rohr S1512P  
 S-pipe S1512P  
 Tuyau en S S1512P  
 Tubo S S1512P

430336

1 - 2

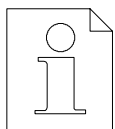
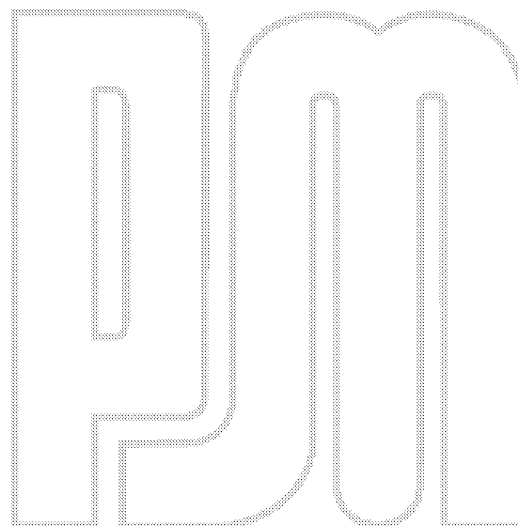
**7.0**

16520-0210



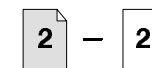
ЗАПЧАСТИ ДЛЯ БЕТОННАСОСОВ  
 +79180710333

0	430336	1	S-Rohr	S1512P	S-pipe	Tuyau en S	Tubo S
1	227148004	1	.Schürfleiste		.Scraping strip	.Bande de raclage	.Listón rascador
2	032379000	1	.Sechskantschraube	M12x40 DIN933-8.8	.Hexagon head cap screw	.Vis à tête hexagonale	.Tornillo de cab.exagonal
3	034107005	1	.Sechskantmutter, selbstsi	M12 DIN985-8	.Hexagonal nut, self-lock	.Ecrou hexagonale frein	.Tuerca exag., autofrenant
4	261611005	1	.Verschleißhülse		.Wear sleeve	.Douille d'usure	.Casquillo de desgaste
			- ENDE -		- END -	- FIN -	- FIN -



S-Rohr S1512P  
S-pipe S1512P  
Tuyau en S S1512P  
Tubo S S1512P

430336

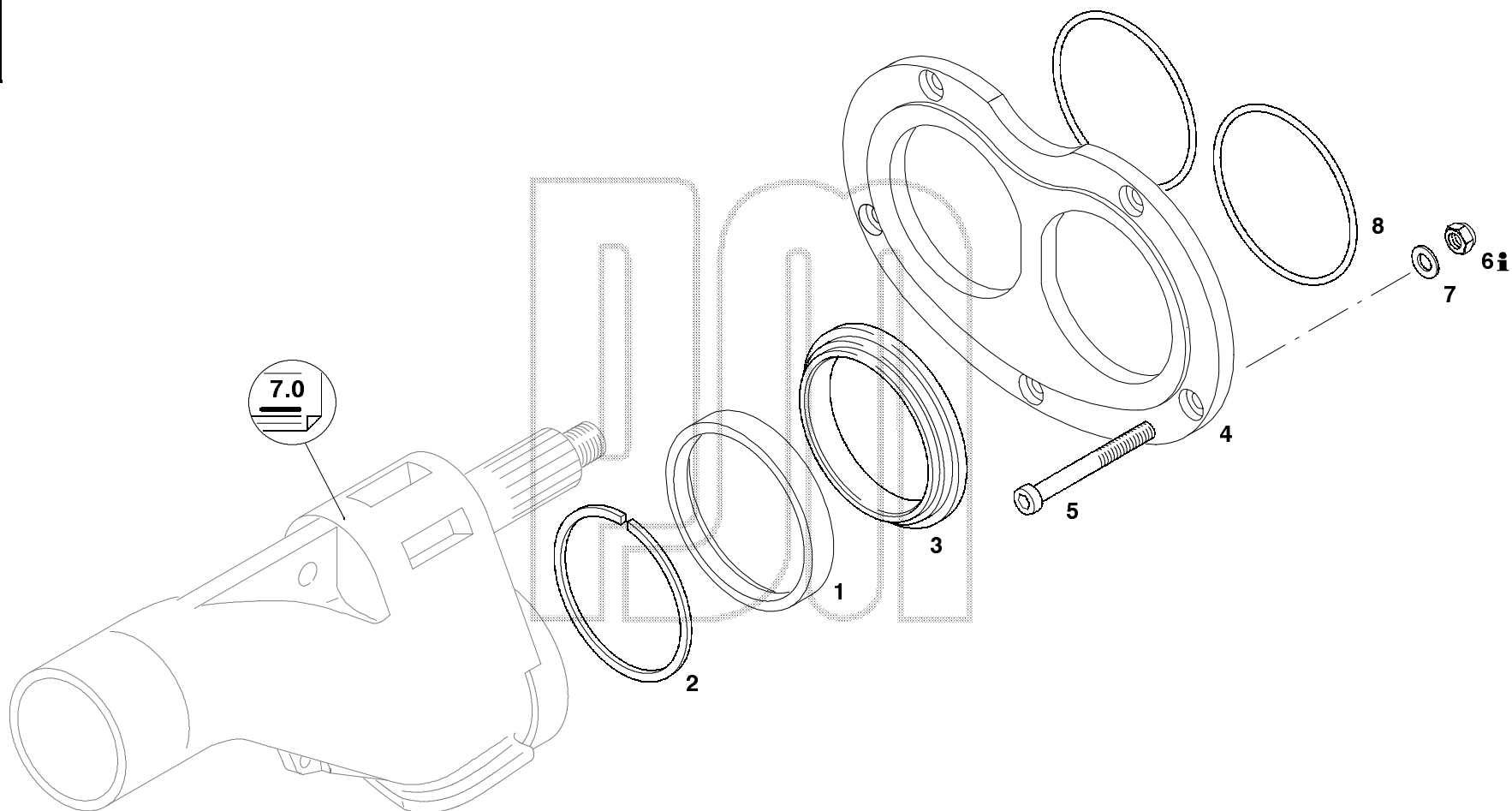
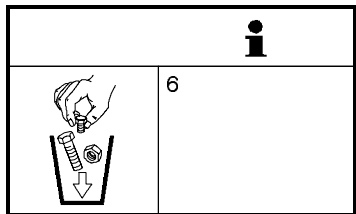


**7.0**  
16520-0210

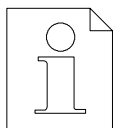


**ЗАПЧАСТИ ДЛЯ БЕТОННАСОСОВ**  
**+79180710333**





TD: Lutzeyer



Verschleißteilsatz Ø 150-160 DURO22  
Set of wear parts Ø 150-160 DURO22  
Jeu de pièces d'usure Ø 150-160 DURO22  
Juego-piezas de desgaste Ø 150-160 DURO22

431292

1 - 2

7.1

16521-0210



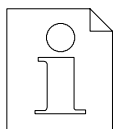
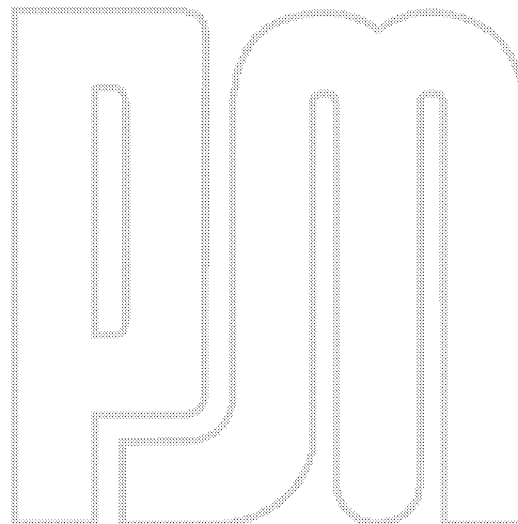
ЗАПЧАСТИ ДЛЯ БЕТОНОВАЛОСОВ  
+79180710333

1	430378	1	Druckring	
2	430379	1	Distanzscheibe	
3	430408	1	Verschleißring	
4	430406	1	Verschleißbrille	
5	431295	5	Zylinderschraube	M12x100DIN6912-
6	034107005	5	Sechskantmutter, selbstsi	M12 DIN985-8
7	037110002	5	Scheibe	B13 DIN125-ST
8	043435001	2	O-Ring	155x4 DIN3771NB70
- ENDE -				

Thrust ring	
Spacer disc	
Wear ring	
Spectacle wear plate	
Socket head cap screw	
Hexagonal nut, self-lock	
Washer	
O-ring	
- END -	

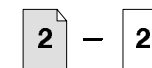
Cône de serrage	
Plaque d'écartement	
Anneau d'usure	
Gueule usure	
Vis à tête cylindrique	
Ecrou hexagonale frein	
Rondelle	
Joint torique	
- FIN -	

Aro de presión	
Placa distanciadora	
Anillo desgaste	
Placa-gafas	
Tornillo cilíndrico rosca	
Tuerca exag., autofrenant	
Arandela	
Junta tórica	
- FIN -	



Verschleißteilsatz Ø 150-160 DURO22  
 Set of wear parts Ø 150-160 DURO22  
 Jeu de pièces d'usure Ø 150-160 DURO22  
 Juego-piezas de desgaste Ø 150-160 DURO22

431292

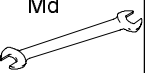




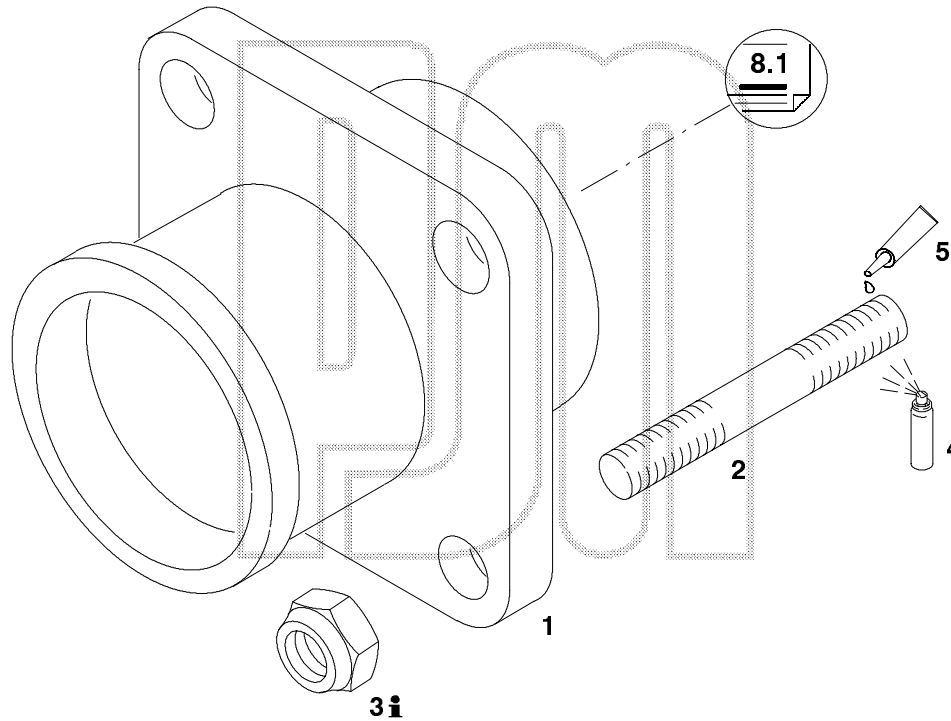
**7.1**

16521-0210

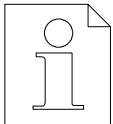


ЗАПЧАСТИ ДЛЯ БЕТОННАСОСОВ  
 +79180710333

<b>i</b>	
Md 	3 = 780 Nm
 	3



TD: Schöneck



Druckstutzen  
Pressure connection  
Tubulure de pression  
Tubuladura de presión

425108

1 - 2

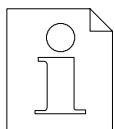
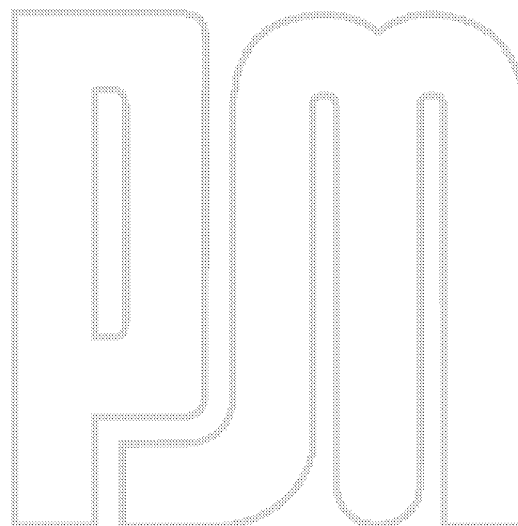
**7.2**

16294-0201



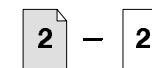
ЗАПЧАСТИ ДЛЯ БЕТОННАРОБОТ  
+79180710333

1	425087	1	Druckstutzen		Pressure connection	Tubulure de pression	Tubuladura de presión
2	233743008	4	Stiftschraube	M24x2x105 DIN939	Stud	Goujon fileté	Tornillo con pivote
3	033720001	4	Sechskantmutter	M24x2 DIN934-8.	Hexagonal nut	Ecrou hexagonale	Tuerca exagonal
4	063351000	1	Aktivator	100ml	Activator	Activateur	Activador
5	063347001	1	Befestigungsmittel	PM-BLAU	Glue	Moyen de fixation	Pegamento de fijación
			- ENDE -		- END -	- FIN -	- FIN -



Druckstutzen  
Pressure connection  
Tubulure de pression  
Tubuladura de presión


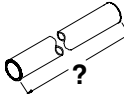
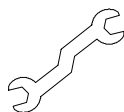
425108

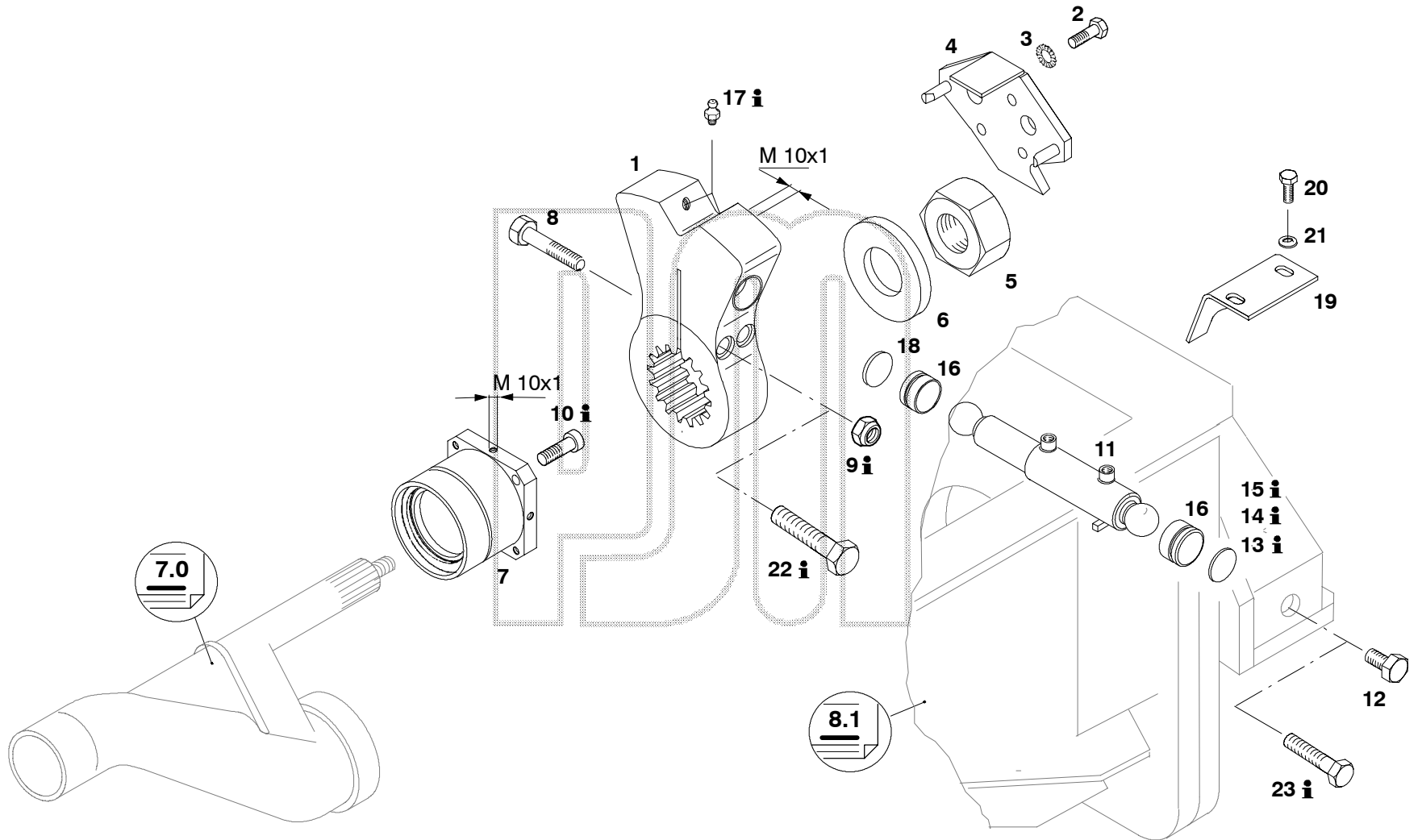



**7.2**  
16294-0201

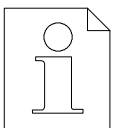


**ЗАПЧАСТИ ДЛЯ БЕТОННАСОСОВ**  
**+79180710333**

<b>i</b>	
	9, 10
	13, 14, 15
	17, 22, 23



 **7.3**  
16402-0206  
TD: Schöneck



S-Rohr-Antrieb  
S-pipe drive  
Entraînement tuyau en S  
Accionamiento tubo S

424884

1 - 2

**7.3**

16402-0304



ЗАПЧАСТИ ДЛЯ БЕТОННАСОСОВ  
+79180710333

1	400493	1	Schwenkhebel	
2	032376003	3	Sechskantschraube	M12x25 DIN933-8.8
3	036507001	3	Sicherungsscheibe	VS12
4	254500000	1	Sicherungsblech	
5	033718000	1	Sechskantmutter	M42x3 DIN934-8
6	410555	1	Scheibe	
7	401783	1	S-Rohr-Wellenlagerung	
8	291868006	2	Sechskantschraube	M16x110 DIN931-10.9
9	034109003	2	Sechskantmutter, selbstsi	M16 DIN985-10
10	043148000	1	Zylinderschraube, selbsts	M12x25 DIN912-8.8MK
11	262840008	2	Plunger-Zylinder	160-60
12	225549003	2	Sechskantschraube	M12x9
13	257428008	-	Scheibe	Ø 70x13
14	248115003	-	Scheibe	Ø 70x9
15	248116002	-	Scheibe	Ø 70x11
16	256300004	4	Kugelpfanne	
17	003549005	2	Kegelschmiernippel	AM10x1 DIN71412
18	257429007	2	Scheibe	Ø 70x4
19	261349005	2	Sicherungsblech	
20	032356007	4	Sechskantschraube	M10x20 DIN933-8.8
21	037108001	4	Scheibe	B10,5 DIN125-ST
22	032438006	1	Sechskantschraube	M20x70 DIN933-8.8
23	032383009	2	Sechskantschraube	M12x60 DIN933-8.8

- ENDE -

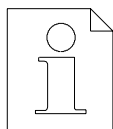
Swinging lever	Levier pivotant
Hexagon head cap screw	Vis à tête hexagonale
Lock washer	Rondelle d'arrêt
Securing plate	Tôle de sûreté
Hexagonal nut	Ecrou hexagonale
Washer	Rondelle
Compl. upper housing ass.	Palier p. tuyau oscillant
Hexagon head cap screw	Vis à tête hexagonale
Hexagonal nut, self-lock	Ecrou hexagonale frein
Cap head screw, self-lock	Vis à tête cyl. frein. int.
Plunger cylinder	Vérin du piston plongeur
Hexagon head cap screw	Vis à tête hexagonale
Disc	Disque
Disc	Disque
Disc	Disque
Ball cup	Coussinet sphérique
Conical lubr. nipple	Graisser
Disc	Disque
Securing plate	Tôle de sûreté
Hexagon head cap screw	Vis à tête hexagonale
Washer	Rondelle
Hexagon head cap screw	Vis à tête hexagonale
Hexagon head cap screw	Vis à tête hexagonale

- END -

- FIN -

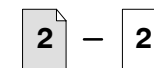
Palanca	
Tornillo de cab.exagonal	
Arandela de seguridad	
Chapa de seguridad	
Tuerca exagonal	
Arandela	
Cojinete p.tubo oscilante	7.4 16401
Tornillo de cab.exagonal	
Tuerca exag., autofrenant	
Tornillo cil.autofrenant	
Cilindro buzo	3.4 13852
Tornillo de cab.exagonal	
Disco	
Disco	
Disco	
Casquillo rotula	
Engrasador	
Disco	
Chapa de seguridad	
Tornillo de cab.exagonal	
Arandela	
Tornillo de cab.exagonal	
Tornillo de cab.exagonal	

- FIN -



S-Rohr-Antrieb  
S-pipe drive  
Entraînement tuyau en S  
Accionamiento tubo S

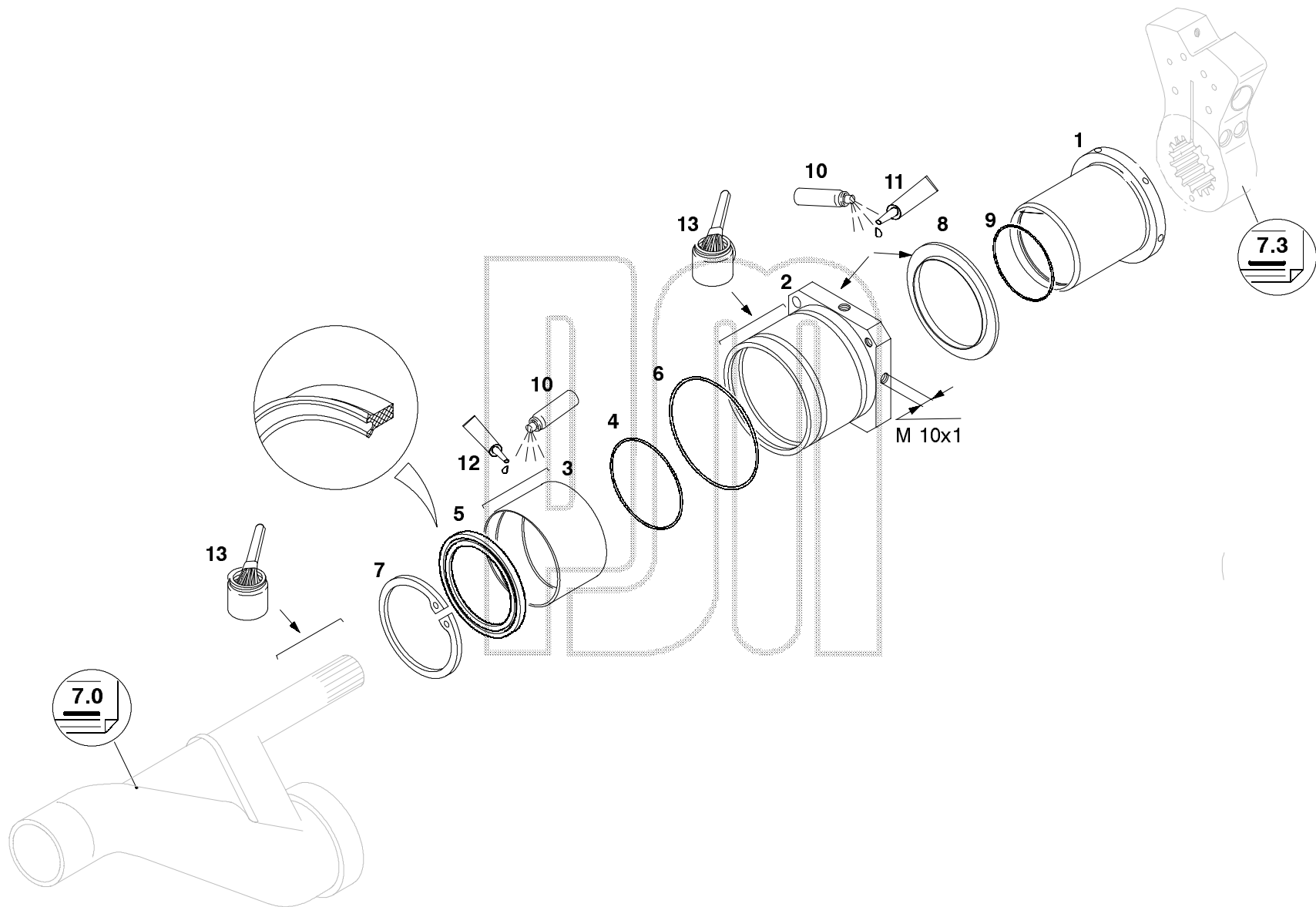
424884



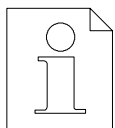
**7.3**  
16402-0304



ЗАПЧАСТИ ДЛЯ БЕТОННАСОСОВ  
+79180710333

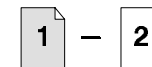


TD: Kühfuß



S-Rohr-Wellenlagerung  
 Compl. upper housing ass.  
 Palier p. tuyau oscillant  
 Cojinetes p.tubo oscilante

401783



**7.4**

16401-0206

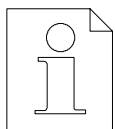
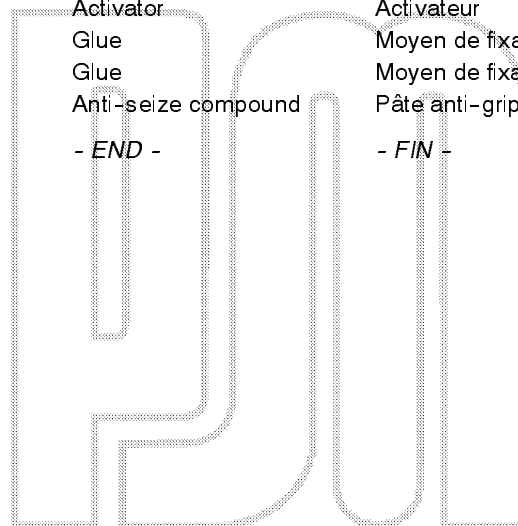


ЗАПЧАСТИ ДЛЯ БЕТОННАГОРОДОВ  
 +79180710333

1	400494	1	Verschleißhülse	
2	027783009	1	Flanschlager	
3	028550008	1	Buchse	90x95x60 DU-B Nut
4	016136007	1	O-Ring	90x5 DIN3771NBR70
5	067855007	1	Nutring	
6	041321007	1	O-Ring	110x5 DIN3771NBR90
7	042174004	1	Sicherungsring	110x4 DIN472
8	066586005	1	Bundscheibe	BS90 DU-B
9	013292009	1	O-Ring	80x4 DIN3771NBR70
10	063351000	1	Aktivator	100ml
11	063348000	1	Befestigungsmittel	PM-ROT
12	063349009	1	Befestigungsmittel	PM-VIOLETT
13	360022003	1	Montagepaste	450g
			- ENDE -	

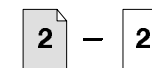
Wear sleeve	Douille d'usure
Support flange	Palier à bride
Bush	Douille d'usure
O-ring	Joint torique
Lip seal ring	Joint à lèvres
O-ring	Joint torique
Securing ring	Circlip
Collar disc	Rondelle à collet
O-ring	Joint torique
Activator	Activateur
Glue	Moyen de fixation
Glue	Moyen de fixation
Anti-seize compound	Pâte anti-grippage
- END -	- FIN -

Casquillo de desgaste
Brida-cojinete
Casquillo
Junta tórica
Collarin
Junta tórica
Anillo de seguridad
Arandela con collar
Junta tórica
Activador
Pegamento de fijación
Pegamento de fijación
Pasta antigripado
- FIN -



S-Rohr-Wellenlagerung  
 Compl. upper housing ass.  
 Palier p. tuyau oscillant  
 Cojinete p.tubo oscilante

401783



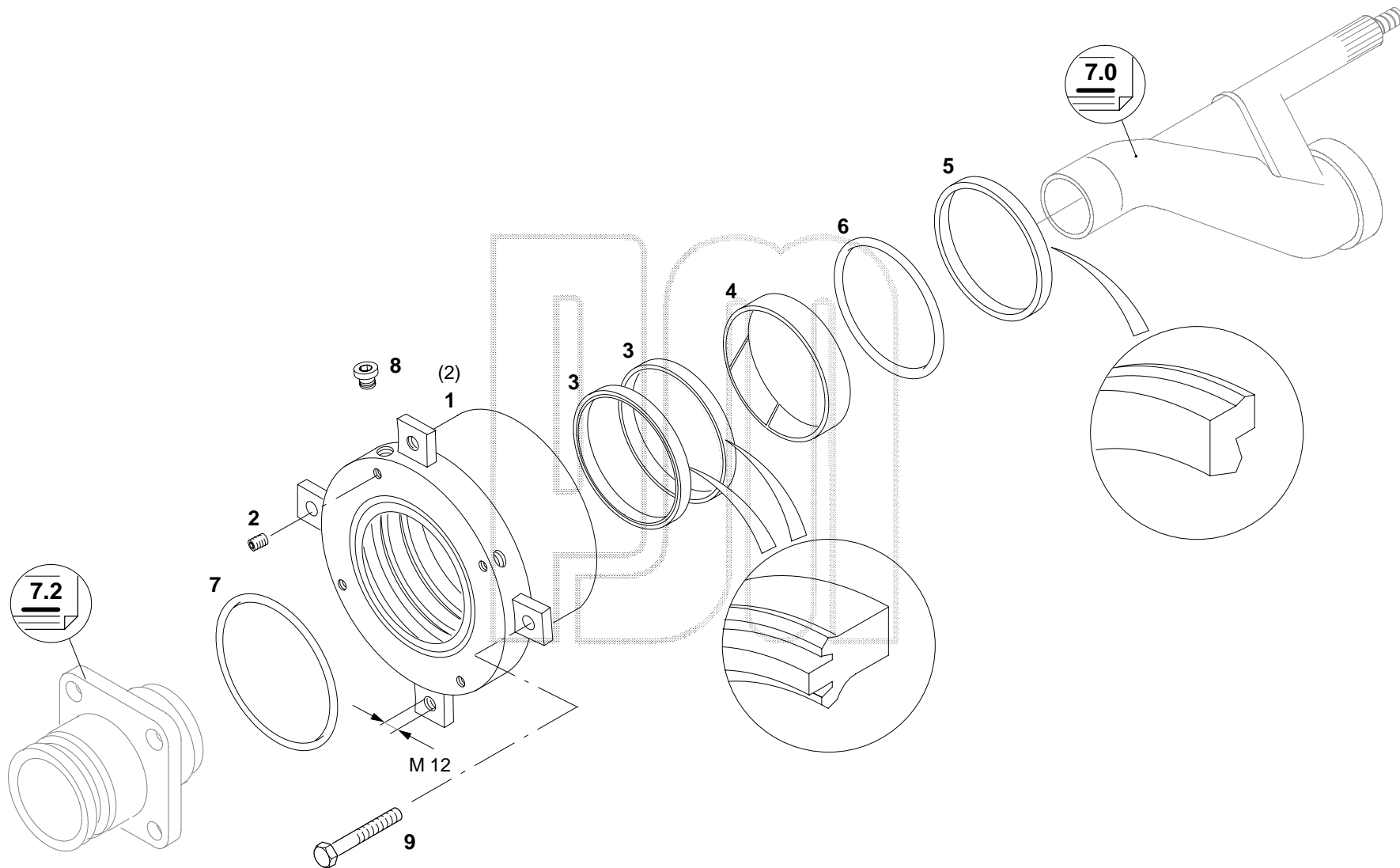
**7.4**


16401-0206

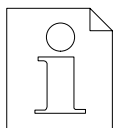


ЗАПЧАСТИ ДЛЯ БЕТОННАСОСОВ  
 +79180710333





 **7.5**  
16027-0103  
TD: Braun



Druckstutzenlagerung Ø 165-210  
Discharge support Ø 165-210  
Palier embout de sortie Ø 165-210  
Cojin. manguito d.presión Ø 165-210

410505

**1** – **2**

**7.5**  
16027-031 1



**ЗАПЧАСТИ ДЛЯ БЕТОННАГОРОД**  
**+79180710333**

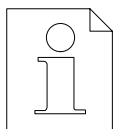
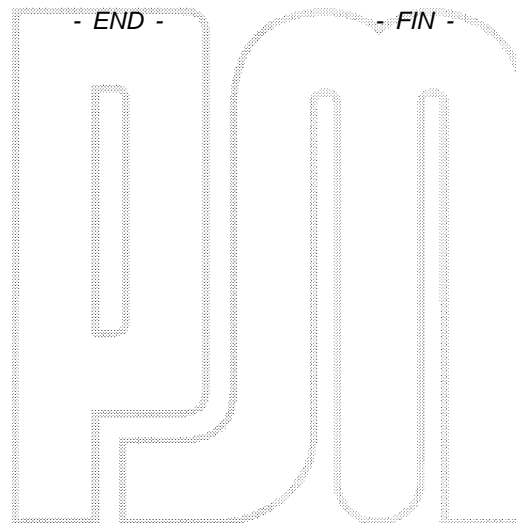
1	410504	1	Lagerring	
2	042158004	4	.Gewindestift	M6x6 DIN913-45H
3	248347004	2	Nutring	
4	295375003	1	Führungsband	
5	248554004	1	Abstreifring	
6	041463004	1	O-Ring	165x8 DIN3771NBR70
7	233925004	1	O-Ring	170x5 DIN3771NBR70
8	043621006	2	Verschlußschraube	VS-M10x1 WD
9	032378001	2	Sechskantschraube	M12x35 DIN933-8.8

- ENDE -

Outer housing	Anneau palier
.Set screw	.Vis pointeau
Lip seal ring	Joint à lèvres
Guiding band	Ceinture de guide
Scraper ring	Segment racleur
O-ring	Joint torique
O-ring	Joint torique
Screw plug	Bouchon obturateur
Hexagon head cap screw	Vis à tête hexagonale

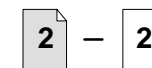
Anillo de cojinete
.Varilla roscada
Collarin
Banda de conducción
Anillo rascador
Junta tórica
Junta tórica
Tapón roscado
Tornillo de cab.exagonal

- FIN -



Druckstutzenlagerung Ø 165-210  
 Discharge support Ø 165-210  
 Palier embout de sortie Ø 165-210  
 Cojin. manguito d.presión Ø 165-210

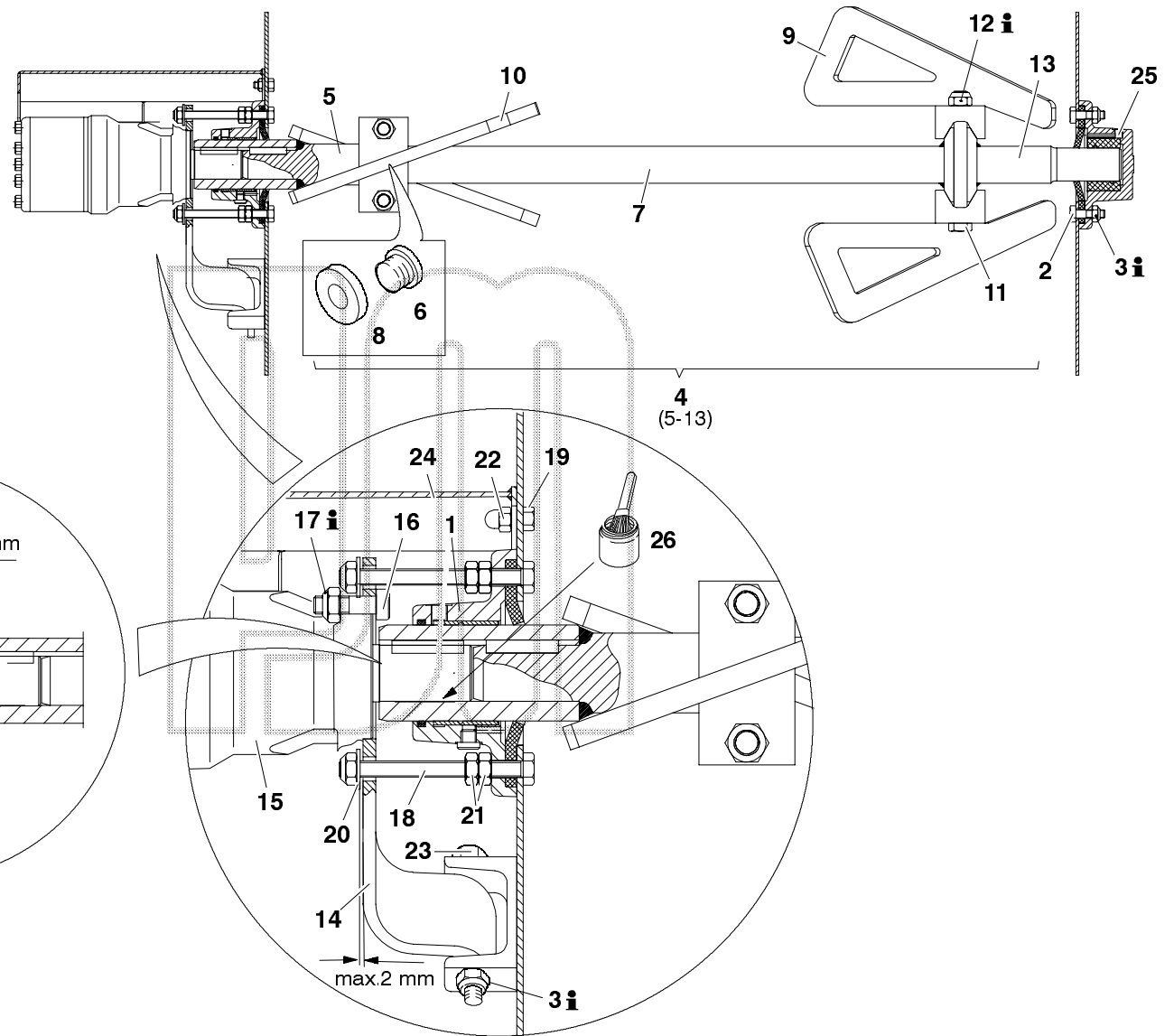
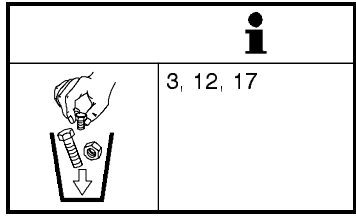
410505



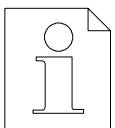
**7.5**  
 16027-031 1



ЗАПЧАСТИ ДЛЯ БЕТОННАСОСОВ  
 +79180710333

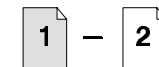


8.0  
16026-0203  
TD: Kühefuß



Rührwerk  
Agitator  
Agitateur  
Agitador

410732



**8.0**  
16026-0302



ЗАПЧАСТИ ДЛЯ БЕТОННОВАЛОК  
+79180710333

1	242572008	1	Lagerflansch	
2	032359004	10	Sechskantschraube	M10x35 DIN933-8.8
3	034106006	13	Sechskantmutter, selbstsi	M10 DIN985-8
4	410749	1	Mischerwelle	
5	288387008	1	Mischerwellenteil	Ø 60
6	042283005	1	Verschlußschraube	VS-M16x1,5 WD
7	256554009	1	Mischerwellenmittelteil	
8	055916000	2	Scheibe	
9	410744	2	Mischflügel links	
10	410745	2	Mischflügel rechts	
11	032218006	4	Sechskantschraube	M16x170 DIN931-8.8
12	034109003	4	Sechskantmutter, selbstsi	M16 DIN985-10
13	050755004	1	Mischerwellenteil	
14	258034006	1	Drehmomentstütze	
15	238130001	1	Hydr.-Motor	OMH500
16	031875000	4	Zylinderschraube	M12x45 DIN912-8.8
17	034107005	4	Sechskantmutter, selbstsi	M12 DIN985-8
18	245524008	2	Sechskantschraube	M10x120 DIN933-8.8
19	032334003	2	Sechskantschraube	M8x22 DIN933-8.8
20	042944001	2	Scheibe	10,5 DIN7349-ST
21	033706009	4	Sechskantmutter	M10 DIN934-8
22	254912009	2	Hutmutter	M8 DIN1587
23	032153006	1	Sechskantschraube	M10x95 DIN931-8.8
24	424238	1	Motorabdeckung	
25	220229001	1	Lagerflansch	
26	360022003	1	Montagepaste	450g

- ENDE -

Support flange
Hexagon head cap screw
Hexagonal nut, self-lock
Mixer shaft
Mixer shaft, right part
Screw plug
Mixer shaft, central part
Washer
Mixing paddle, left
Mixing paddle, right
Hexagon head cap screw
Hexagonal nut, self-lock
Mixer shaft, left part
Torque support
Hydr. motor
Socket head cap screw
Hexagonal nut, self-lock
Hexagon head cap screw
Hexagon head cap screw
Washer
Hexagonal nut
Cap nut
Hexagon head cap screw
Motor cover
Support flange
Anti-seize compound

- END -

Bride palier
Vis à tête hexagonale
Ecrou hexagonale frein
Arbre malaxeur
Arbre malax., pièce droite
Bouchon obturateur
Arbre malax., pièce centr.
Rondelle
Ailette d.malaxage, gauche
Ailette d.malaxage, droite
Vis à tête hexagonale
Ecrou hexagonale frein
Arbre malax., pièce gauche
Support pour couple
Moteur hydr.
Vis à tête cylindrique
Ecrou hexagonale frein
Vis à tête hexagonale
Vis à tête hexagonale
Rondelle
Ecrou hexagonale
Ecrou borgne
Vis à tête hexagonale
Recouvrement de moteur
Bride palier
Pâte anti-grippage

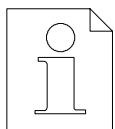
- FIN -

Brida del cojinete
Tornillo de cab.exagonal
Tuerca exag., autofrenant
Arbol mezclador
Arbol mezcl.parte derecha
Tapón roscado
Arbol mezcl., parte centr.
Arandela
Aspa mezcladora, izquierda
Aspa mezcladora, derecha
Tornillo de cab.exagonal
Tuerca exag., autofrenant
Arbol mezcl., parte izqui.
Soporte contrapar
Motor hidr.
Tornillo cilíndrico rosca
Tuerca exag., autofrenant
Tornillo de cab.exagonal
Tornillo de cab.exagonal
Arandela
Tuerca exagonal
Tuerca caperuza
Tornillo de cab.exagonal
Protección p. motor
Brida del cojinete
Pasta antigripado

8.3 12435

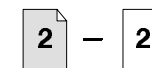
3.6 12067

8.3 12434



Rührwerk  
Agitator  
Agitateur  
Agitador

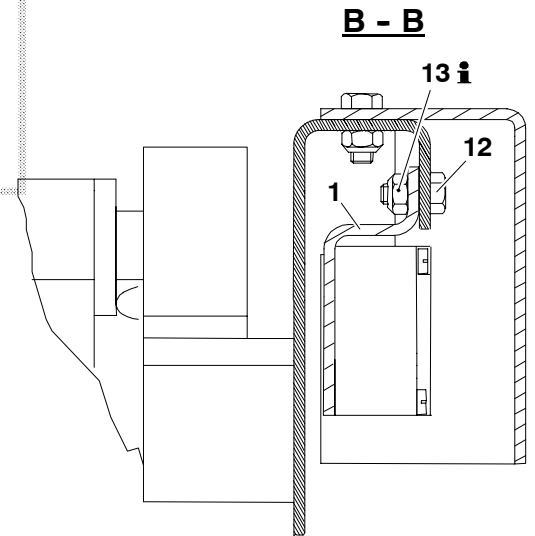
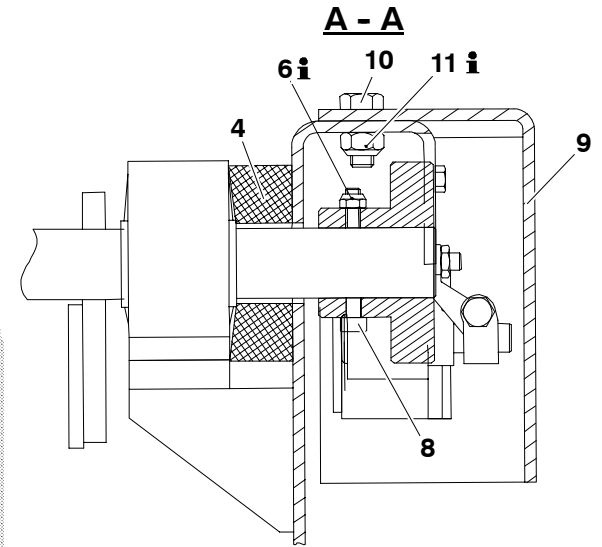
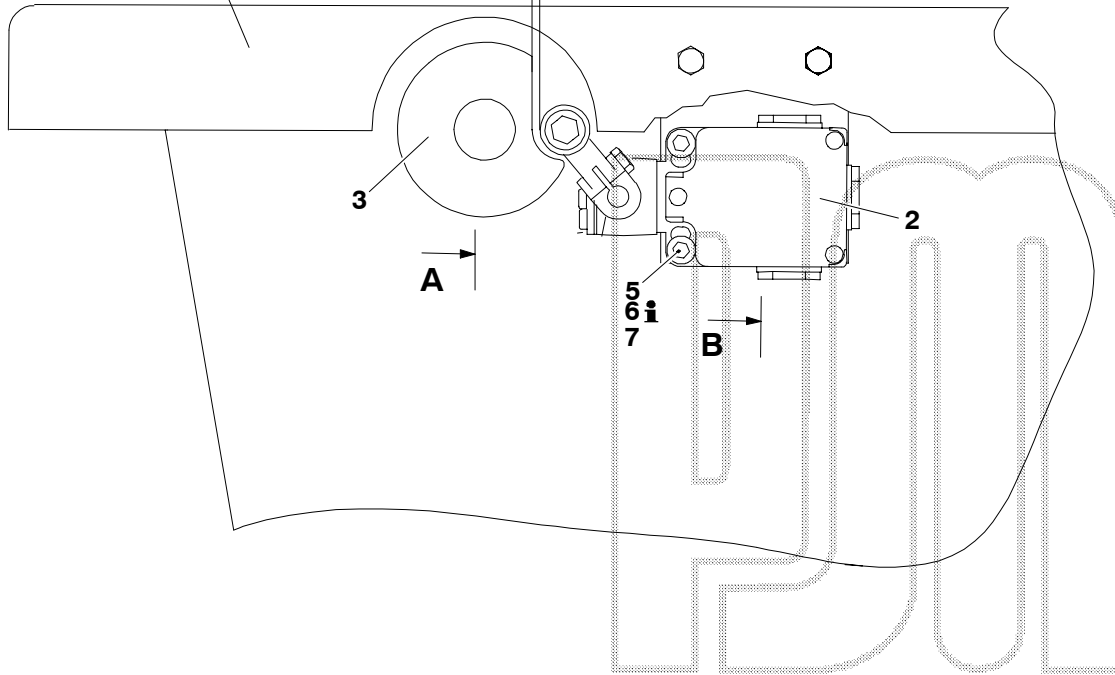
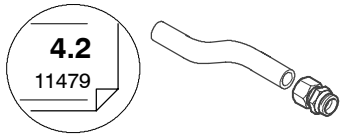
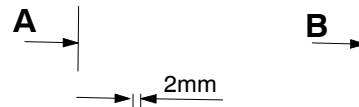
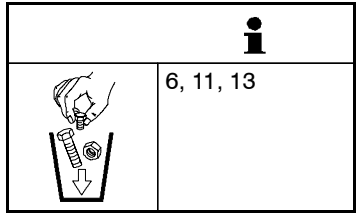
410732




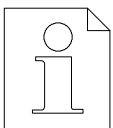
**8.0**  
16026-0302



ЗАПЧАСТИ ДЛЯ БЕТОННАСОСОВ  
+79180710333



 **8.1**  
15548-0111  
TD: Braun



288395003, 296161009



Rührwerkssich.Abschaltung  
Safety cut-out  
Déconnexion de sécurité  
Desconexion de seguridad



**8.1**

15548-0409

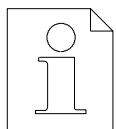
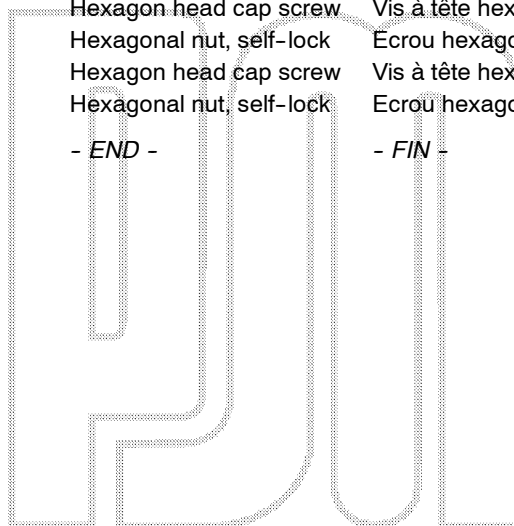


ЗАПЧАСТИ ДЛЯ БЕТОННАГОСЛОВ  
+79180710333

1	277390006	1	Halteblech	
2	452208	1	Mechanischer Grenztaster	
3	277389004	1	Schaltnocken	
4	028985000	1	Gummidichtung	
5	031130004	2	Zylinderschraube	M5x45 DIN84-5.8
6	034103009	3	Sechskantmutter, selbstsi	M5 DIN985-8
7	037104005	2	Scheibe	B5,3 DIN125-ST
8	041184008	1	Zylinderschraube	M5x45 DIN912-8.8
9	438016	1	Abdeckung	
10	032337000	2	Sechskantschraube	M8x20 DIN933-8.8
11	034105007	2	Sechskantmutter, selbstsi	M8 DIN985-10
12	032314007	2	Sechskantschraube	M6x16 DIN933-8.8
13	034104008	2	Sechskantmutter, selbstsi	M6 DIN985-8
- ENDE -				

Mounting plate	Tôle de support
Mechanical limit switch	Interr. limit. mécanique
Switching cam	Came de contacteur
Rubber seal	Joint caoutchouc
Socket head cap screw	Vis à tête cylindrique
Hexagonal nut, self-lock	Ecrou hexagonale frein
Washer	Rondelle
Socket head cap screw	Vis à tête cylindrique
Cover	Recouvrement
Hexagon head cap screw	Vis à tête hexagonale
Hexagonal nut, self-lock	Ecrou hexagonale frein
Hexagon head cap screw	Vis à tête hexagonale
Hexagonal nut, self-lock	Ecrou hexagonale frein
- END -	

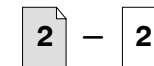
Chapa de fijación	
Interr. limit. mecánico	
Leva de avance	
Empaquetadura de goma	
Tornillo cilíndrico rosca	
Tuerca exag., autofrenant	
Arandela	
Tornillo cilíndrico rosca	
Protección	
Tornillo de cab.exagonal	
Tuerca exag., autofrenant	
Tornillo de cab.exagonal	
Tuerca exag., autofrenant	
- FIN -	



288395003, 296161009



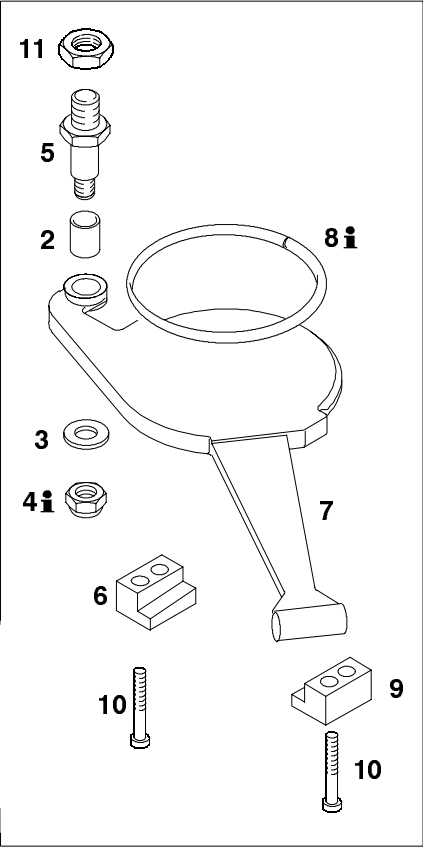
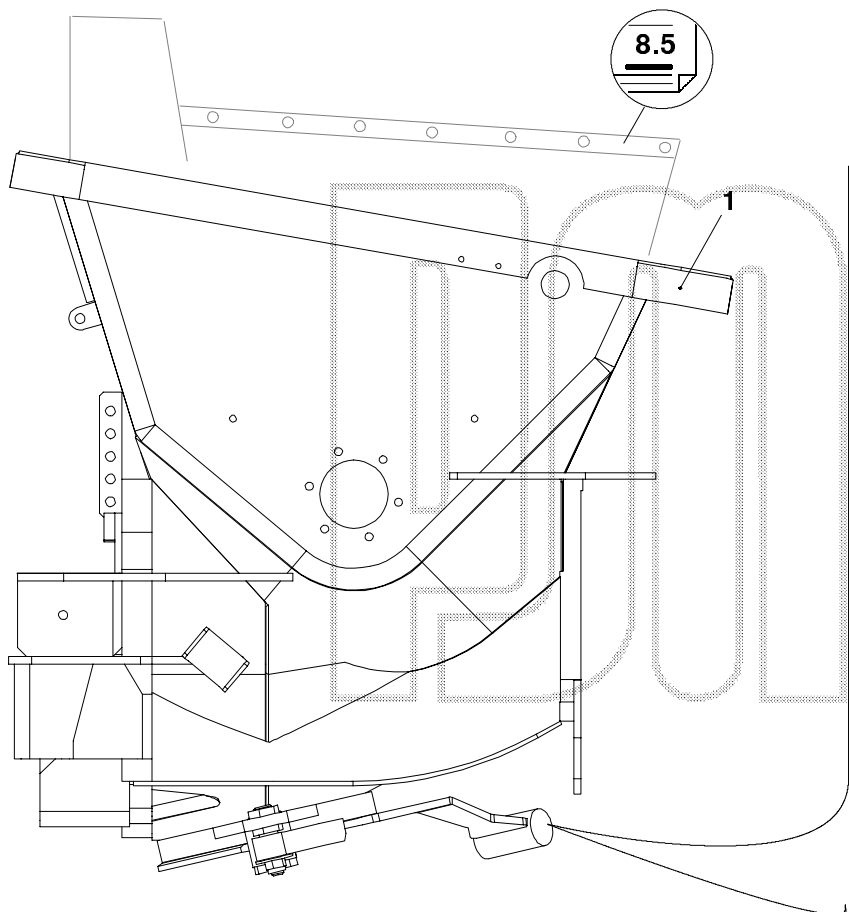
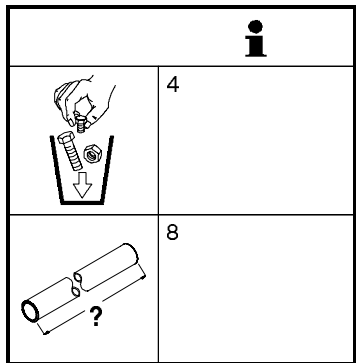
Rührwerkssich.Abschaltung  
Safety cut-out  
Déconnexion de sécurité  
Desconexion de seguridad



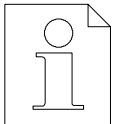
**8.1**  
15548-0409



ЗАПЧАСТИ ДЛЯ БЕТОННАСОСОВ  
+79180710333



TD: Lutzeyer



Trichter RS457A  
 Hopper RS457A  
 Trémie RS457A  
 Tolva RS457A

431100

1 - 2

**8.1**

16523-0210



ЗАПЧАСТИ ДЛЯ БЕТОННАГОСЛОВ  
 +79180710333

1	430407	1	Trichter	
2	066181002	1	Buchse	25x28x30 DU
3	037337005	1	Scheibe	A17 DIN9021-ST
4	034109003	1	Sechskantmutter, selbstsi	M16 DIN985-10
5	407313	1	Gewindebolzen	
6	252841004	1	Keilklotz links	
7	242334000	1	Verschlußschieber	
8	233915001	-	Rundschnur	15 NBR70
9	252842003	1	Keilklotz rechts	
10	032204007	4	Sechskantschraube	M16x70 DIN931-8.8
11	255574006	1	Sechskantmutter	M24x2 DIN936-17H

- ENDE -

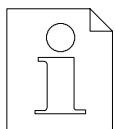
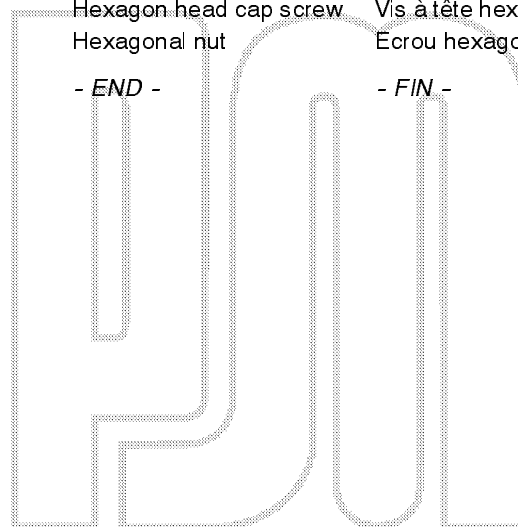
Hopper	Trémie
Bush	Douille d'usure
Washer	Rondelle
Hexagonal nut, self-lock	Ecrou hexagonale frein
Threaded bolt	Boulon filete
Bock, left-hand-side	Calce gauche
Slide	Tiroir
Round cord	Ganse
Bock, right-hand-side	Calce droite
Hexagon head cap screw	Vis à tête hexagonale
Hexagonal nut	Ecrou hexagonale

- END -

- FIN -

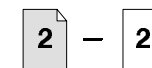
Tolva
Casquillo
Arandela
Tuerca exag., autofrenant
Perno roscado
Calce izquierda
Compuerta
Cordel
Calce derecha
Tornillo de cab.exagonal
Tuerca exagonal

- FIN -



Trichter RS457A  
Hopper RS457A  
Trémie RS457A  
Tolva RS457A

431100



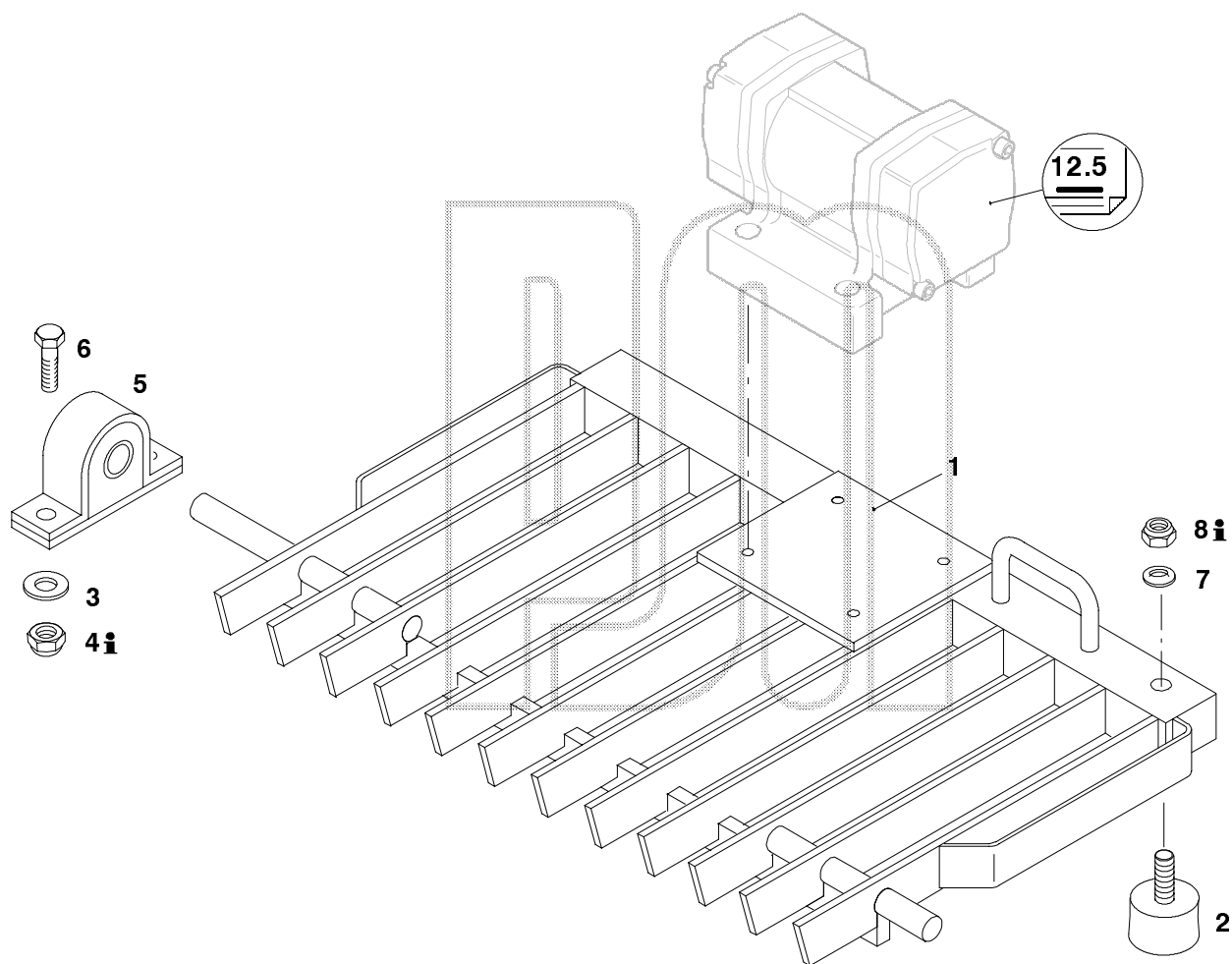
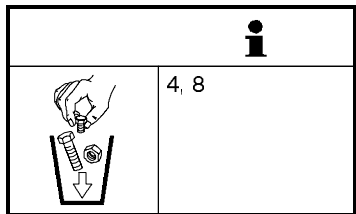
**8.1**

16523-0210

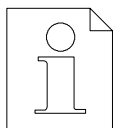


ЗАПЧАСТИ ДЛЯ БЕТОННАСОСОВ  
+79180710333





TD: Kühefuß



Grill  
Grille  
Grille  
Parrilla

414456

1 - 2

8.1

16028-0103



ЗАПЧАСТИ ДЛЯ БЕТОННАГОСЛОВ  
+79180710333

1	414426	1	Grill	
2	002257000	2	Gummipuffer	40x30 NBR75
3	037108001	4	Scheibe	B10,5 DIN125-ST
4	034106006	4	Sechskantmutter, selbstsi	M10 DIN985-8.
5	019137003	2	Bügelement mit Gummi	
6	032359004	4	Sechskantschraube	M10x35 DIN933-8.8
7	037107002	2	Scheibe	B8,4 DIN125-ST
8	034105007	2	Sechskantmutter, selbstsi	M8 DIN985-10.

- ENDE -

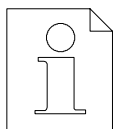
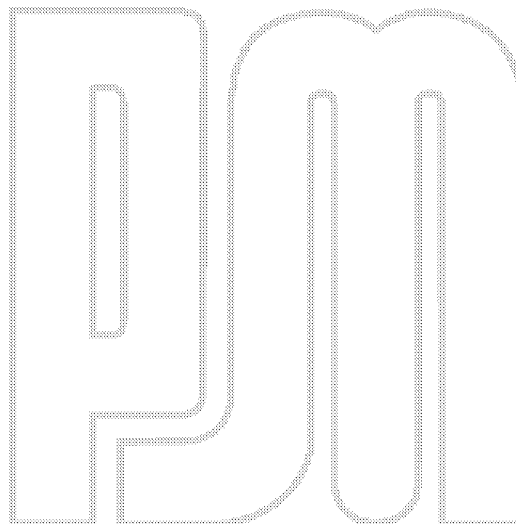
Grille	Grille
Rubber buffer	Tampon en caoutchouc
Washer	Rondelle
Hexagonal nut, self-lock	Ecrou hexagonale frein
Rubber buffer, U-part	Élément d'étrier
Hexagon head cap screw	Vis à tête hexagonale
Washer	Rondelle
Hexagonal nut, self-lock	Ecrou hexagonale frein

- END -

- FIN -

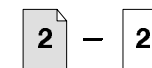
Parrilla
Tope de goma
Arandela
Tuerca exag., autofrenant
Elemento de estribo
Tornillo de cab.exagonal
Arandela
Tuerca exag., autofrenant

- FIN -



Grill  
Grille  
Grille  
Parrilla

414456

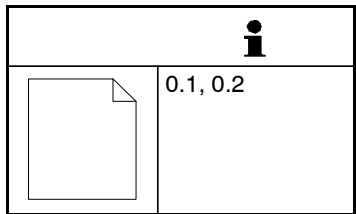


**8.1**

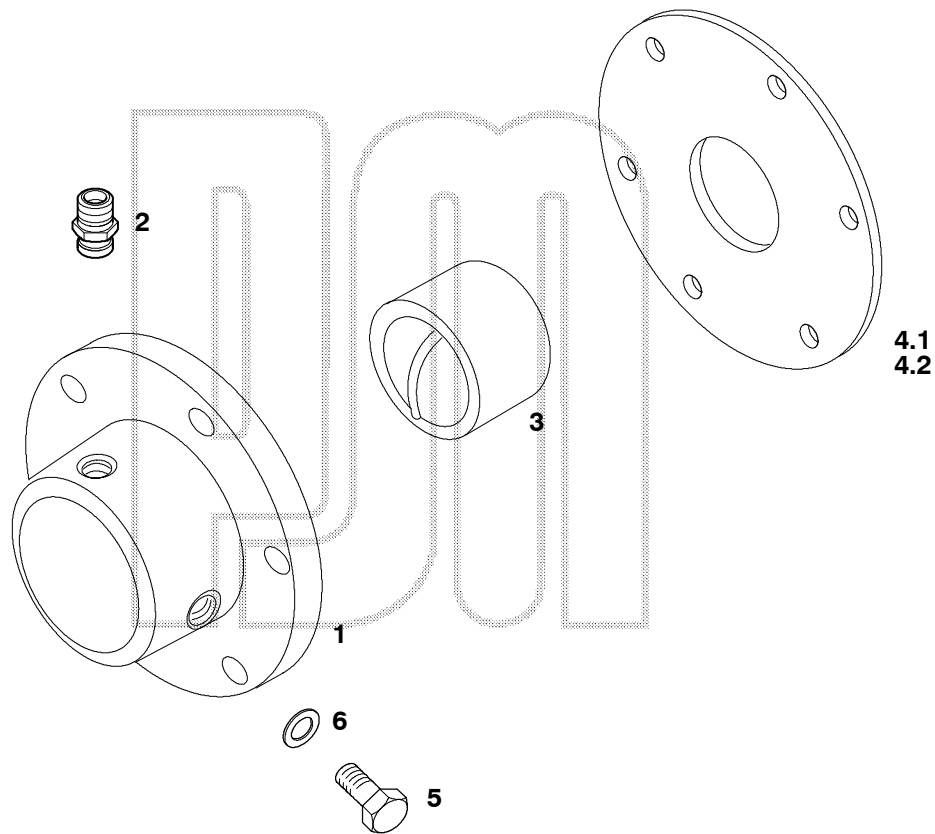
16028-0103



**ЗАПЧАСТИ ДЛЯ БЕТОННАСОСОВ**  
**+79180710333**



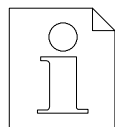
(1-6) **0.1 i**  
 (1-6) **0.2 i**



**8.3**  
12262-9006

**8.3**  
12434-9605

TD: Schöneck



220229001, 220101006



Lagerflansch  
 Support flange  
 Bride palier  
 Brida del cojinete

1 - 2

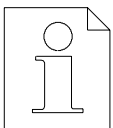
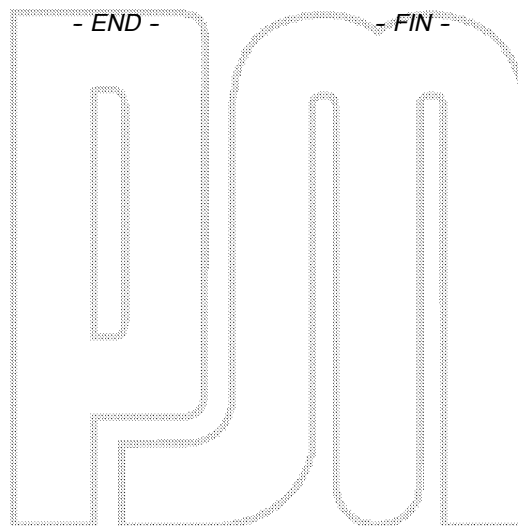
**8.3**

12434-0310



ЗАПЧАСТИ ДЛЯ БЕТОННАГОРОДОВ  
 +79180710333

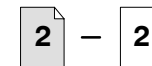
0.1	220229001	1	Lagerflansch	NBR	Support flange	Bride palier	Brida del cojinete
0.2	220101006	1	Lagerflansch	FPM	Support flange	Bride palier	Brida del cojinete
1	203848001	1	.Lagerflansch		.Support flange	.Bride palier	.Brida del cojinete
2	044018003	1	.Stutzen	GES 6LM	.Connection	.Manchon	.Racor
3	202791007	1	.Buchse		.Bush	.Douille d'usure	.Casquillo
4.1	210304004	1	.Gummischeibe	NBR	.Rubber disc	.Rondelle caoutchouc	.Disco de goma
4.2	028977005	1	.Gummischeibe	FPM	.Rubber disc	.Rondelle caoutchouc	.Disco de goma
5	032356007	1	.Sechskantschraube	M10x20 DIN933-8.8	.Hexagon head cap screw	.Vis à tête hexagonale	.Tornillo de cab.exagonal
6	041361009	1	.Usit-Ring		.Seal ring	.Joint d'étanchéité	.Junta de estanquidad
			- ENDE -		- END -		- FIN -



220229001, 220101006



Lagerflansch  
Support flange  
Bride palier  
Brida del cojinete

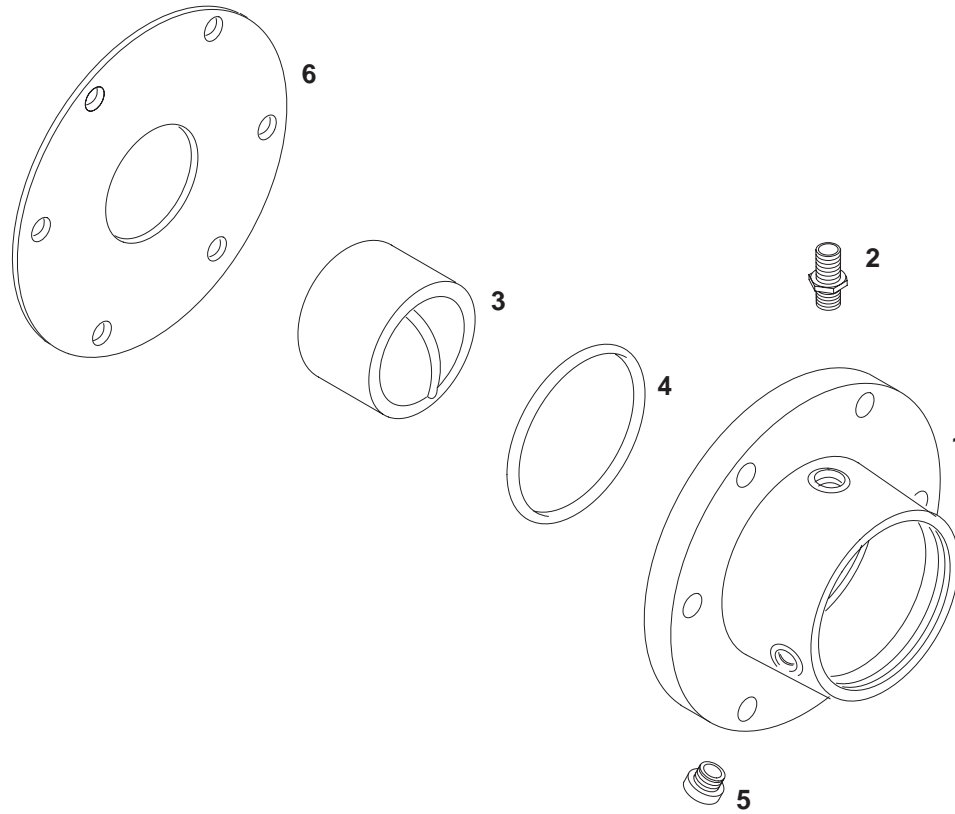
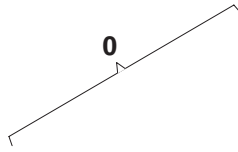


**8.3**

12434-0310



ЗАПЧАСТИ ДЛЯ БЕТОННАСОСОВ  
+79180710333



 8.3  
12435-9105  
TD: Kühfuß



Lagerflansch  
Bearing flange  
Bride palier  
Brida del cojinete

242572008



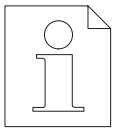
8.3

12435-9605



ЗАПЧАСТИ ДЛЯ БЕТОННОВЯЗОВ  
+79180710333

0	242572008	1	Lagerflansch		Bearing flange	Bride palier	Brida del cojinete	
1	242573007	1	.Lagerflansch		.Bearing flange	.Bride palier	.Brida del cojinete	
2	043213003	1	.Verschraubung	BO-GEV 6LM	.Fitting	.Raccord à vis	.Racor	4.2 11479
3	222484006	1	.Buchse	60x65x40 DU-B Nut	.Bush	.Douille	.Casquillo	
4	043909003	1	.O-Ring	60x4 DIN3770NB70	.O-ring	.Joint torique	.Junta tórica	
5	043621006	1	.Verschlußschraube	VS-M10x1 WD	.Screw plug	.Bouchon obturateur	.Tapón roscado	
6	242574006	1	.Gummischeibe		.Rubber disc	.Rondelle caoutchouc	.Disco de goma	



Lagerflansch  
Bearing flange  
Bride palier  
Brida del cojinete

242572008

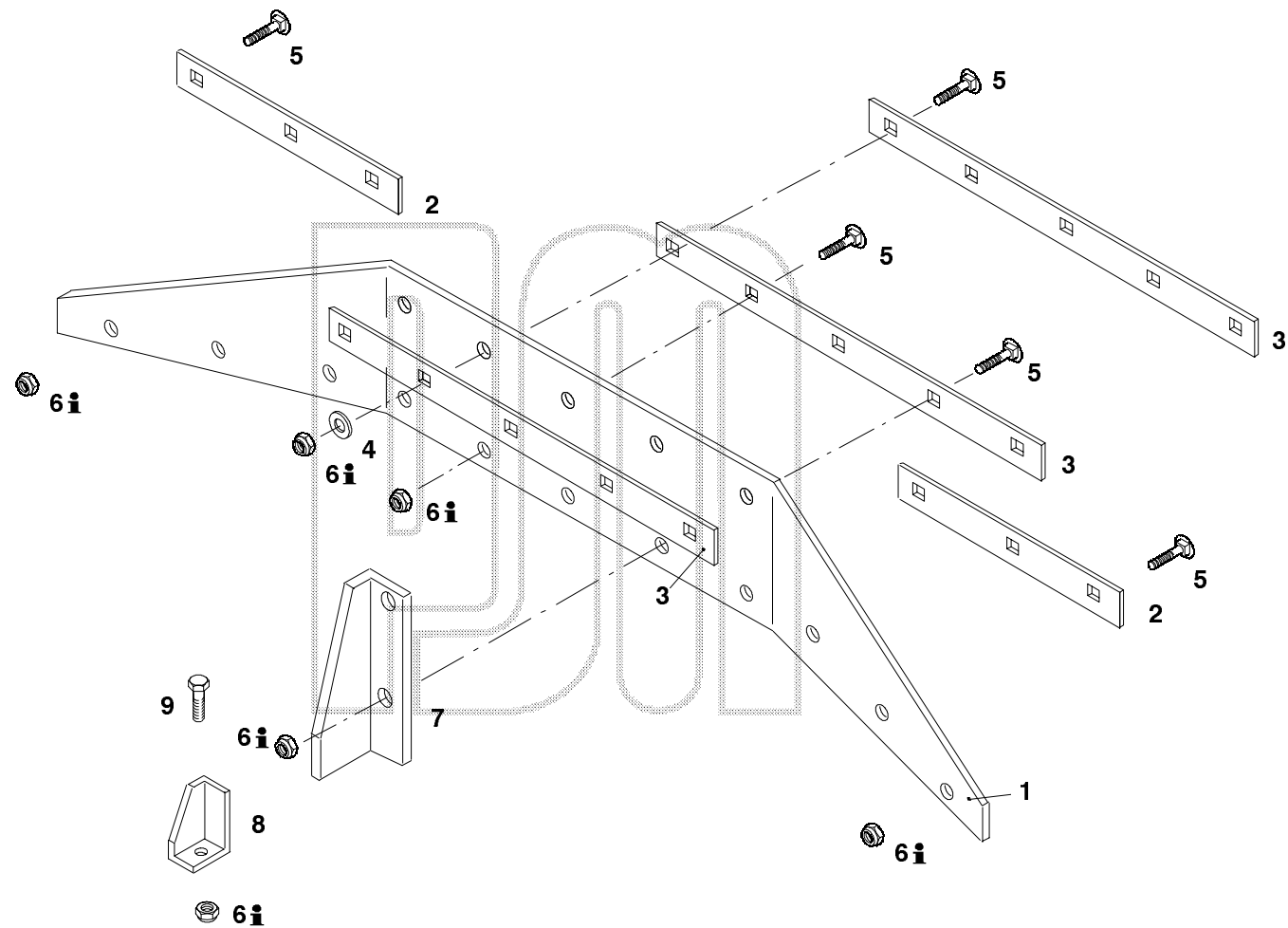
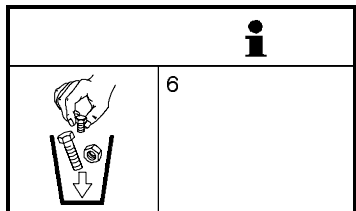



**8.3**

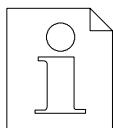
12435-9605



**ЗАПЧАСТИ ДЛЯ БЕТОННАСОСОВ**  
**+79180710333**



 **8.5**  
11930-8910  
TD: Kühfuß



Gummikragen RS 486  
Rubber collar RS 486  
Collerette en caoutchouc RS 486  
Cuelle de goma RS 486

225124004

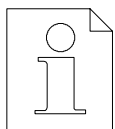
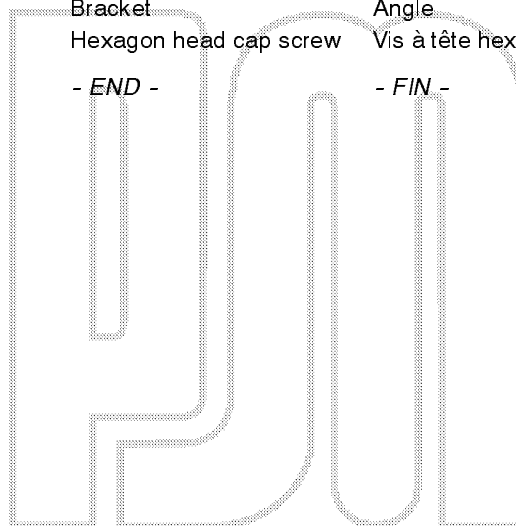
1 - 2

**8.5**  
11930-0010



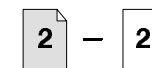
ЗАПЧАСТИ ДЛЯ БЕТОННЫХ ПОЛОВ  
+79180710333

	225124004	1	Gummikragen	RS 486	Rubber collar	Collerette en caoutchouc	Cuelle de goma
1	224953001	1	Gummikragen		Rubber collar	Collerette en caoutchouc	Cuelle de goma
2	220601001	2	Leiste		Strip	Listel	Listón
3	224954000	3	Kragenleiste		Collar strip	Listel collerette	Listón cuelle
4	037224008	7	Scheibe	R9 DIN440-ST	Washer	Rondelle	Arandela
5	032653001	17	Flachrundschraube	M8x35 DIN603	Cup square bolt	Boulon a tête plate	Tornillo aplastado
6	034105007	17	Sechskantmutter, selbstsi	M8 DIN985-10.	Hexagonal nut, self-lock	Ecrou hexagonale frein	Tuerca exag., autofrenant
7	088377001	1	Haltewinkel		Mounting bracket	Equerre de fixation	Angulo de fijación
8	247380004	1	Stützwinkel		Bracket	Angle	Angulo
9	032337000	1	Sechskantschraube	M8x20 DIN933-8.8	Hexagon head cap screw	Vis à tête hexagonale	Tornillo de cab.exagonal
			- ENDE -		- END -	- FIN -	- FIN -



Gummikragen RS 486  
 Rubber collar RS 486  
 Collerette en caoutchouc RS 486  
 Cuelle de goma RS 486

225124004



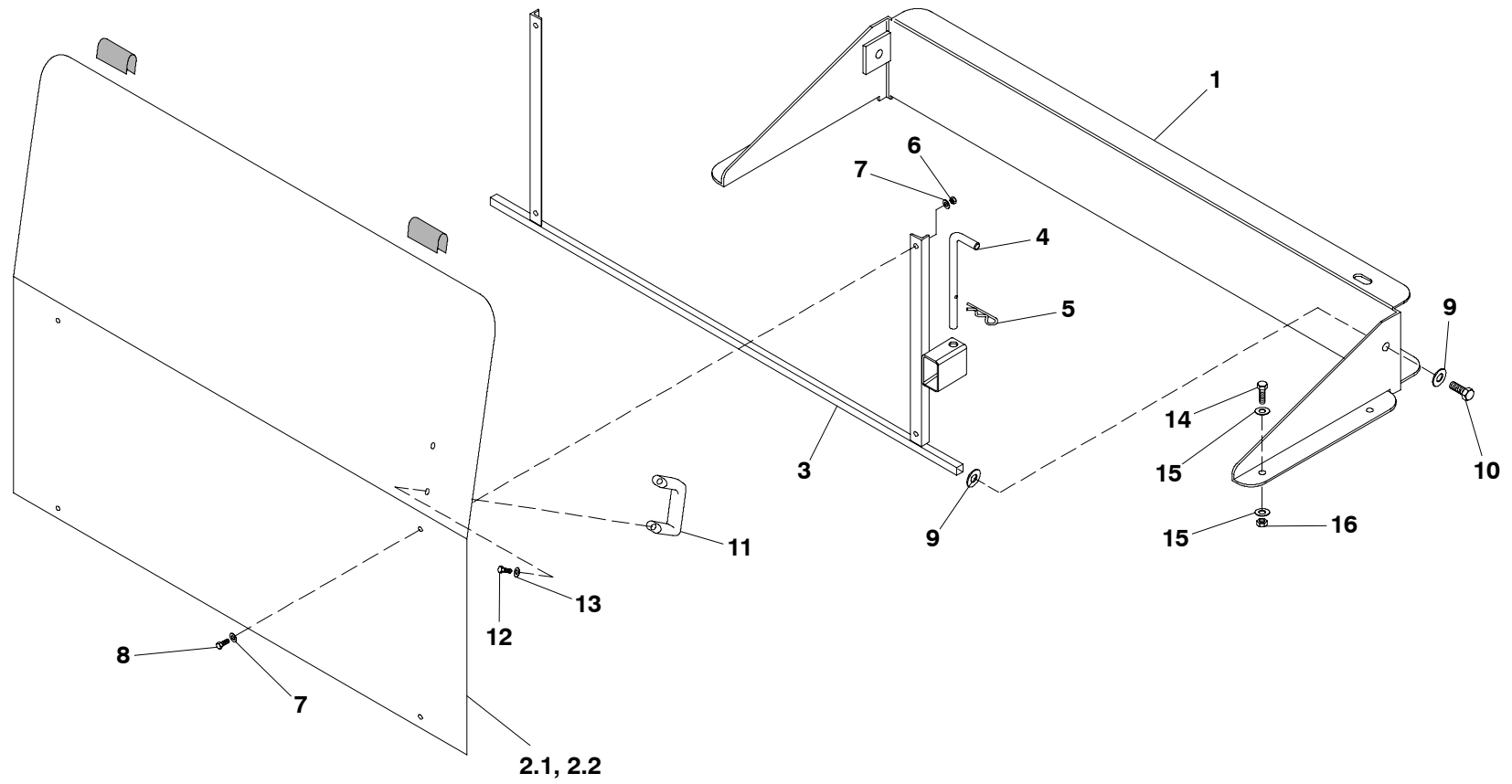
**8.5**  
 11930-0010




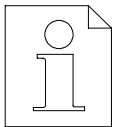
ЗАПЧАСТИ ДЛЯ БЕТОННАСОСОВ  
 +79180710333



(1-16)  
0



 **08.5**  
A90940-0203



TK SPLASH GUARD ASSEMBLY  
(RS487A)

A081076



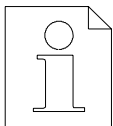
**8.5**

A90940-0505



ЗАПЧАСТИ ДЛЯ БЕТОННАСЕЛОВ  
+79180710333

0	A081076	1	TK SPLASH GUARD ASSEMBLY	RS487A
1	A081073	1	.SPLASH GUARD, FIXED	RS487A
2.1	A081035	1	.HOPPER SPLASH GUARD	
2.2	A081099	1	.HOPPER SPLASH GUARD	
3	A001675	1	.FRAME, SPLASH GUARD	
4	A971260	1	.PIN, SPLASH GUARD	
5	AT309489	1	.HAIRPIN, COTTER	7/16-3/4 SHAFT
6	A971166	4	.NUT, TOPLOCK	5/16-18 GR.B CADW
7	A971283	8	.WASHER, FLAT	5/16 SAE ZP
8	AT301004	4	.HHCS	5/16-18 X 3/4 GR.5 ZP
9	AT302564	4	.WASHER, FLAT	1/2 SAE CP
10	AT301031	2	.HHCS	1/2-13 X 1 1/2 GR.5 ZP
11	066698003	1	.HANDLE, BOW TYPE	GN565-20-112SW
12	032314007	2	.HHCS	M6X16 DIN933-8.8 ZP
13	037105004	2	.WASHER, FLAT	M6 - DIN125-ST
14	AT301015	4	.HHCS	3/8-16 X 1" GR.5 ZP
15	AT302506	8	.WASHER, FLAT	3/8 SAE CP
16	A971165	4	.NUT, TOP LOCK	3/8-16 GR.B CADWX



TK SPLASH GUARD ASSEMBLY  
(RS487A)

A081076

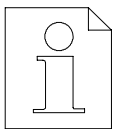
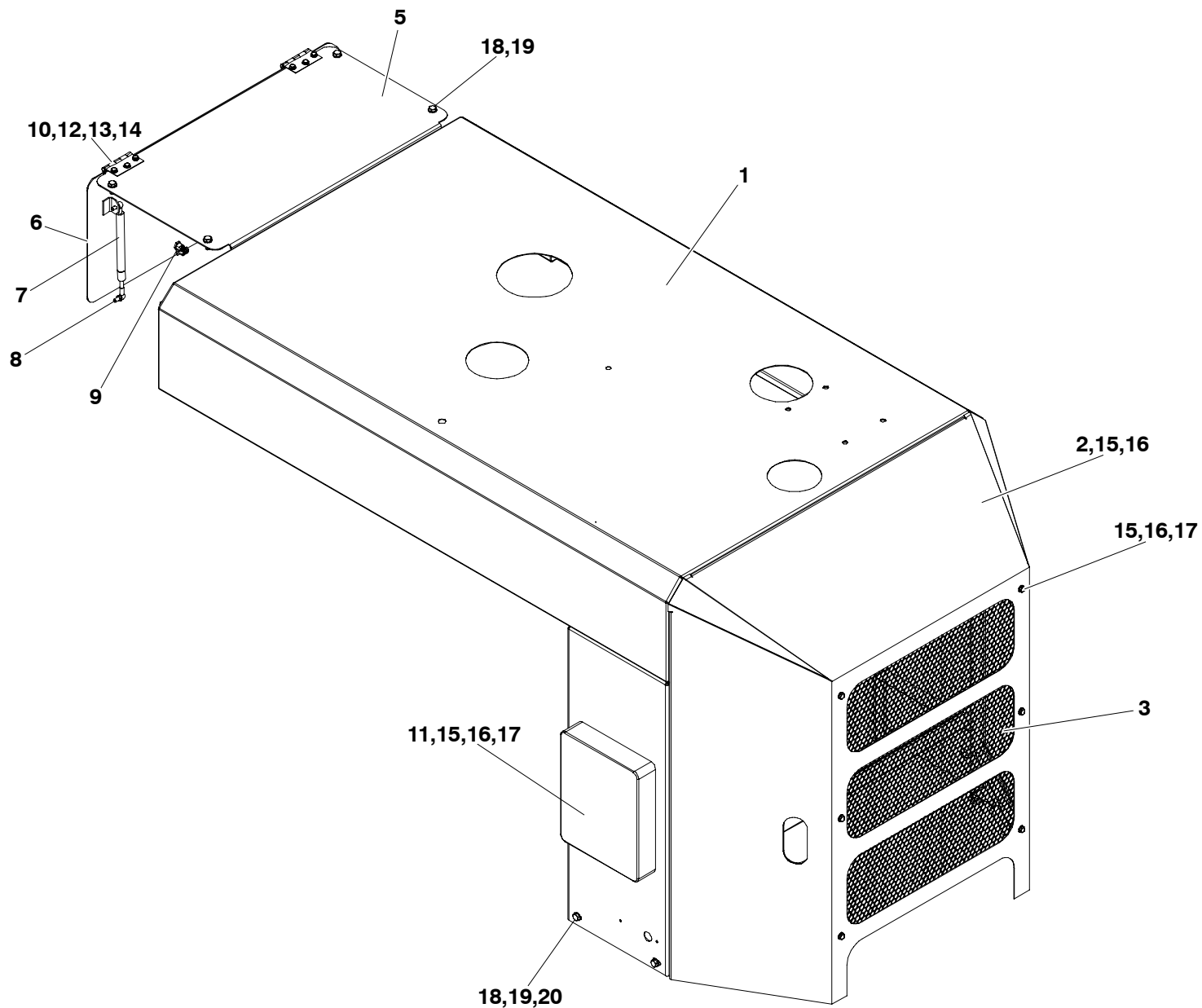


**8.5**

A90940-0505



ЗАПЧАСТИ ДЛЯ БЕТОННАСОСОВ  
+79180710333



FINAL ASSEMBLY

A530126



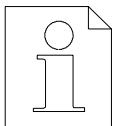
**9.0**

A91226-0505



ЗАПЧАСТИ ДЛЯ БЕТОННАСОСОВ  
+79180710333

0	A530126	1	TK FINAL ASSY	
1	A400300	1	HOOD MAIN	
2	A400208	1	HOOD FRONT	
3	A400209	1	GRILL HONEYCOMB	
4	A107002	11 FT.	RUBBER STRIP	1/2"WALL X 5/32" THK
5	A400298	1	COVER TOP HYD TANK	
6	A400299	1	COVER REAR HYD TANK	
7	A971232	1	SPRING. PNEUMATIC	100N
8	034105007	2	NUT NYLOCK	M8 DIN985-10
9	A016018	1	LATCH, COMPRESSION	
10	A971374	2	HINGE	3.5" ZP
11	A126113	1	BOX FOR OPERATING INSTRUCTIONS	
12	AT301001	12	HHCS	1/4-20X3/4 GR5 ZP
13	AT302557	12	WASHER FLAT	1/4 SAE CP
14	A971167	12	NUT TOP LOCK	1/4 GR.B CADWX
15	AT301007	12	HHCS	5/16-18X 1" GR.5 ZP
16	A971283	22	WASHER FLAT	5/16 SAE CP
17	A971166	10	NUT TOP LOCK	5/16-18 GR.B CADW
18	AT301015	12	HHCS	3/8-16X 1" GR.5 ZP
19	AT302506	18	WASHER FLAT	3/8 SAE CP
20	A971165	6	NUT TOP LOCK	3/8-16 GR.B CADWX



FINAL ASSEMBLY

A530126

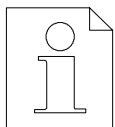
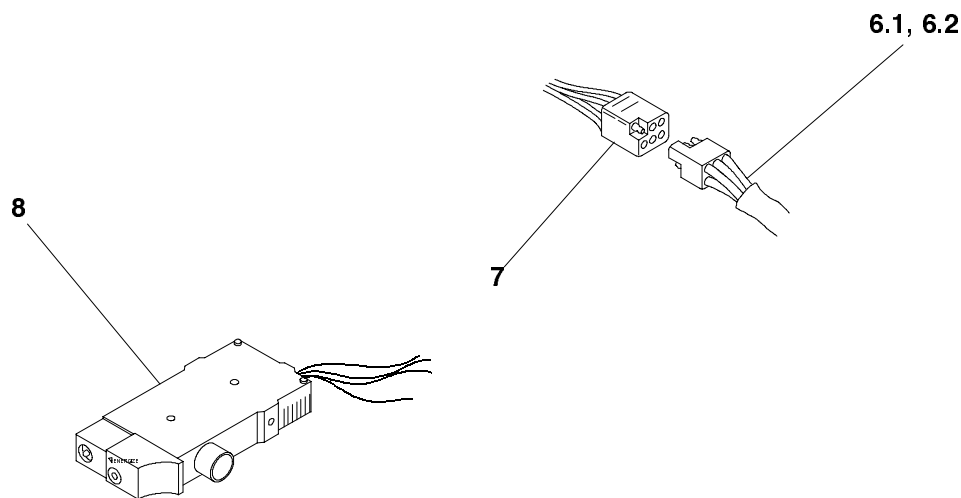
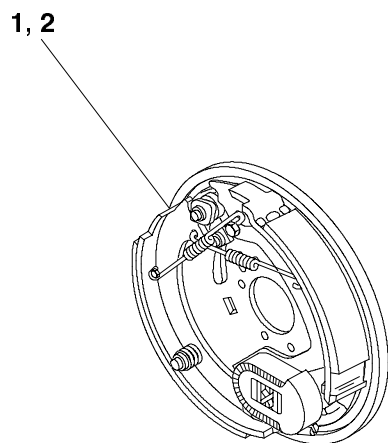
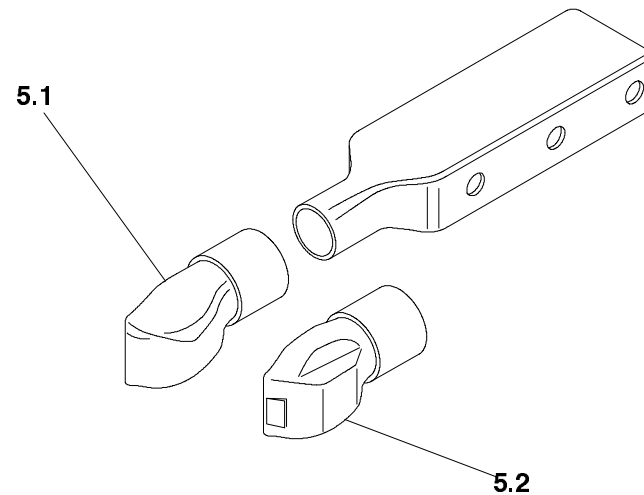
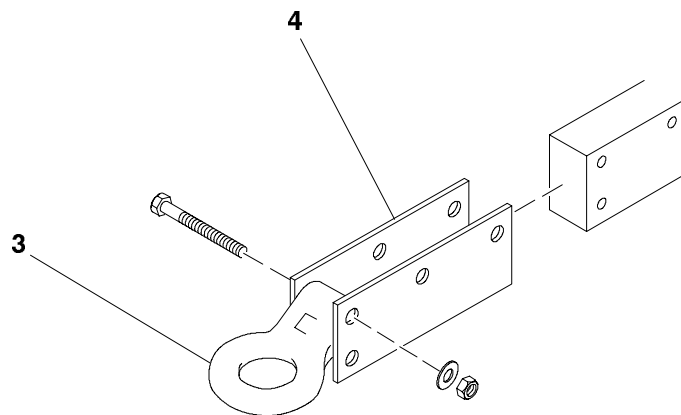


9.0

A91226-0505



ЗАПЧАСТИ ДЛЯ БЕТОННАСОСОВ  
+79180710333



TK40/50/70/KK/50HP/70HP  
ELECTRIC BRAKE COMPONENTS



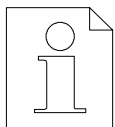
**9.5**

A90994-0208



ЗАПЧАСТИ ДЛЯ БЕТОННАХОЗОВ  
+79180710333

0			ELECTRIC BRAKE COMPONENTS	
1	A098110	1	.BRAKE ASSY EL LHS	12X2 DEXT
2	A098111	1	.BRAKE ASSY EL RHS	12X2 DEXT
3	A098013	1	.LUNETTE EYE	3"
4	A001636	2	.PLATE MTG LUNETTE EYE	
5.1	A098076	1	.BALL COUPLER	2"
5.2	A098077	1	.BALL COUPLER	2-5/16"
6.1	A051155	1	.HARNESS	6-WIRE 1143W SINGLE
6.2	A051156	1	.HARNESS	6-WIRE 1143W TANDEM
7	A052195	1	.PLUG	6-WIRE FEMALE
8	AT314598	1	.EL BRAKE CONTROL	



TK40/50/70/KK/50HP/70HP  
ELECTRIC BRAKE COMPONENTS

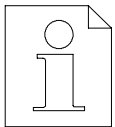
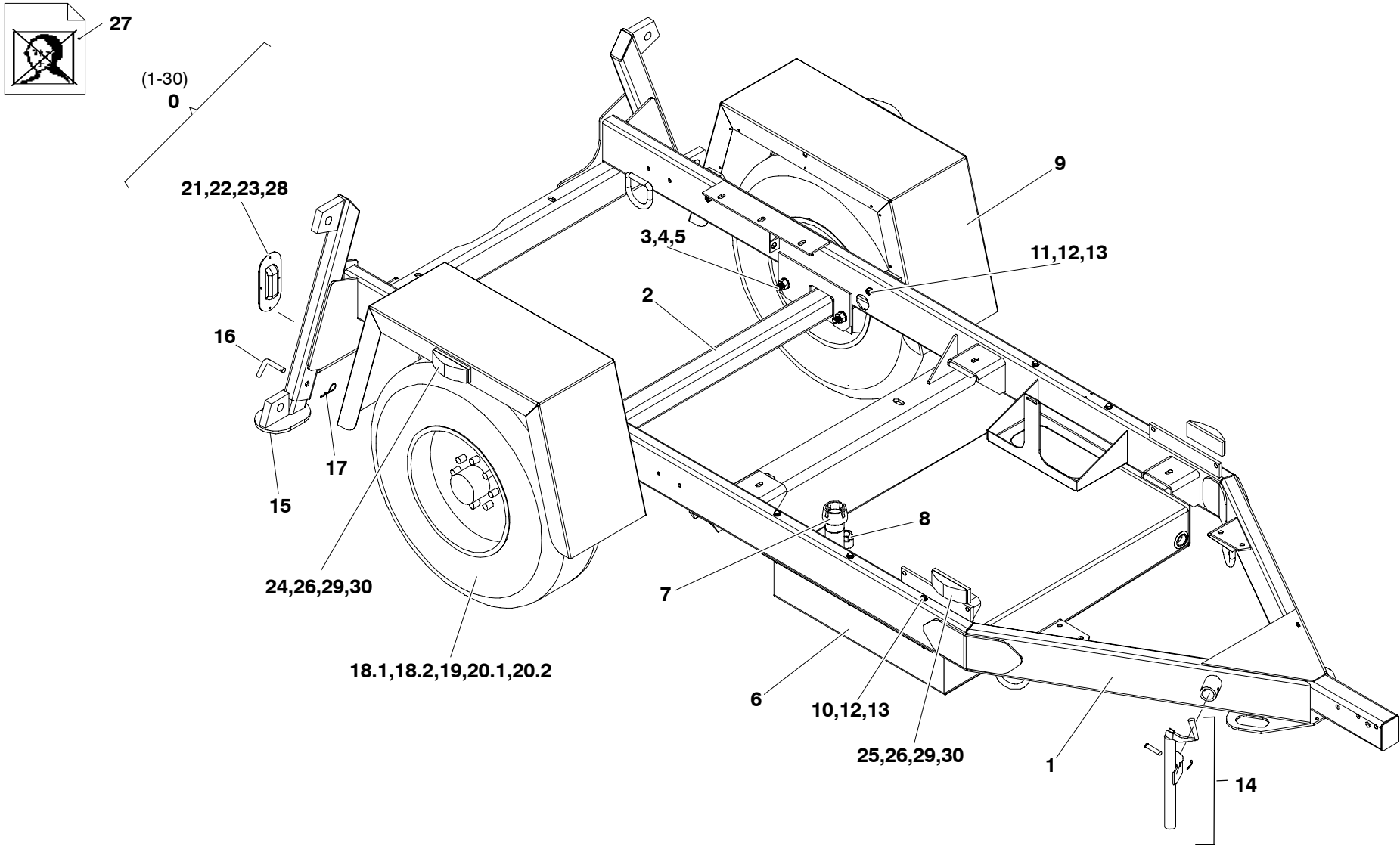


**9.5**

A90994-0208



ЗАПЧАСТИ ДЛЯ БЕТОННАСОСОВ  
+79180710333



TRAILER ASSY SGL TORS 1143W TK 2005

A720040



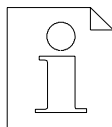
**9.5**

A91225-0505



ЗАПЧАСТИ ДЛЯ БЕТОНОПОНЕСОВ  
+79180710333

0	A720040	1	TK TRAILER ASSEMBLY	1143W - SINGLE TORSION	
1	A000125	1	.FRAME WELDMENT	1143W - SINGLE TORSION	
2	A098086	1	.AXLE TORS HYD	6000LB	
3	AT301368	4	.HHCS	5/8-11 X 2" GR.8 YZ	
4	AT302562	8	.WASHER FLAT	5/8 SAE GR.8 YZ	
5	A971173	4	.NUT TOP LOCK	5/8-11 GR.C CADWX	
6	A017038	1	.FUEL TANK	26 GAL, TK	
7	A017047	1	.FUEL CAP	DIESEL W/GAUGE	
8	A017040	2	.JACK POST ASSEMBLY	8FP-12MB-5/8"OD X 165	
9	A400211	2	.FENDER W/SIDE MARKER		
10	AT301023	6	.HHCS	3/8-16 X 7" GR.5 ZP	
11	A380091	4	.HHCS	3/8-16 X 3" ZP	
12	AT302506	20	.WASHER FLAT	3/8 SAE CP	
13	A971165	10	.NUT TOP LOCK	3/8-16 GR.B CADWX	
14	A094017	1	.JACK SWIVEL MT	2000LB TOP-WIND	
15	AT134518	2	.PIN BENT PULL	1/2" DIA	
16	AT309489	2	.HAIRPIN COTTER	7/16-3/4 SHAFT	
17	A094018	2	.OUTRIGGER LEG		
18.1	A098157	2	.WHEEL ASSY	LT235/85R16G STEEL 1/2-8-6.5	
18.2	A098158	2	.WHEEL ASSY	LT235/85R16G ALU 1/2-8-6.5	OPTIONAL
19	A098159	16	..TIRE	LT235/85R16G GOODYEAR G614 RST	
20.1	AT318872	2	.LUG NUT	1/2-20 60 DEG CONE	
20.2	A971265	2	.LUG NUT	.5-50 CHROME	OPTIONAL
21	A052513	2	.LAMP S/T/T	RED OVAL	
22	A052514	2	.BRACKET S/T/T	OVAL LAMP	
23	A052515	2	.PIGTAIL S/T/T LAMP		
24	A052516	2	.LAMP MARKER	RED	
25	A052517	2	.LAMP MARKER	AMBER	
26	A052518	4	.PIGTAIL MARKER LAMP		
27	A052561	1	. REFLECTOR (PAIR)	RED 2"	
28	A980018	10	.SCREW PHILLIPS	#10-32 X 1/2"	
29	A971048	8	.SCREW PHILLIPS	#10-32 X 1"	
30	A970159	8	.NUT KEPS	#10-32	



Putzmeister

TRAILER ASSY SGL TORS 1143W TK 2005

A720040



9.5

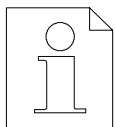
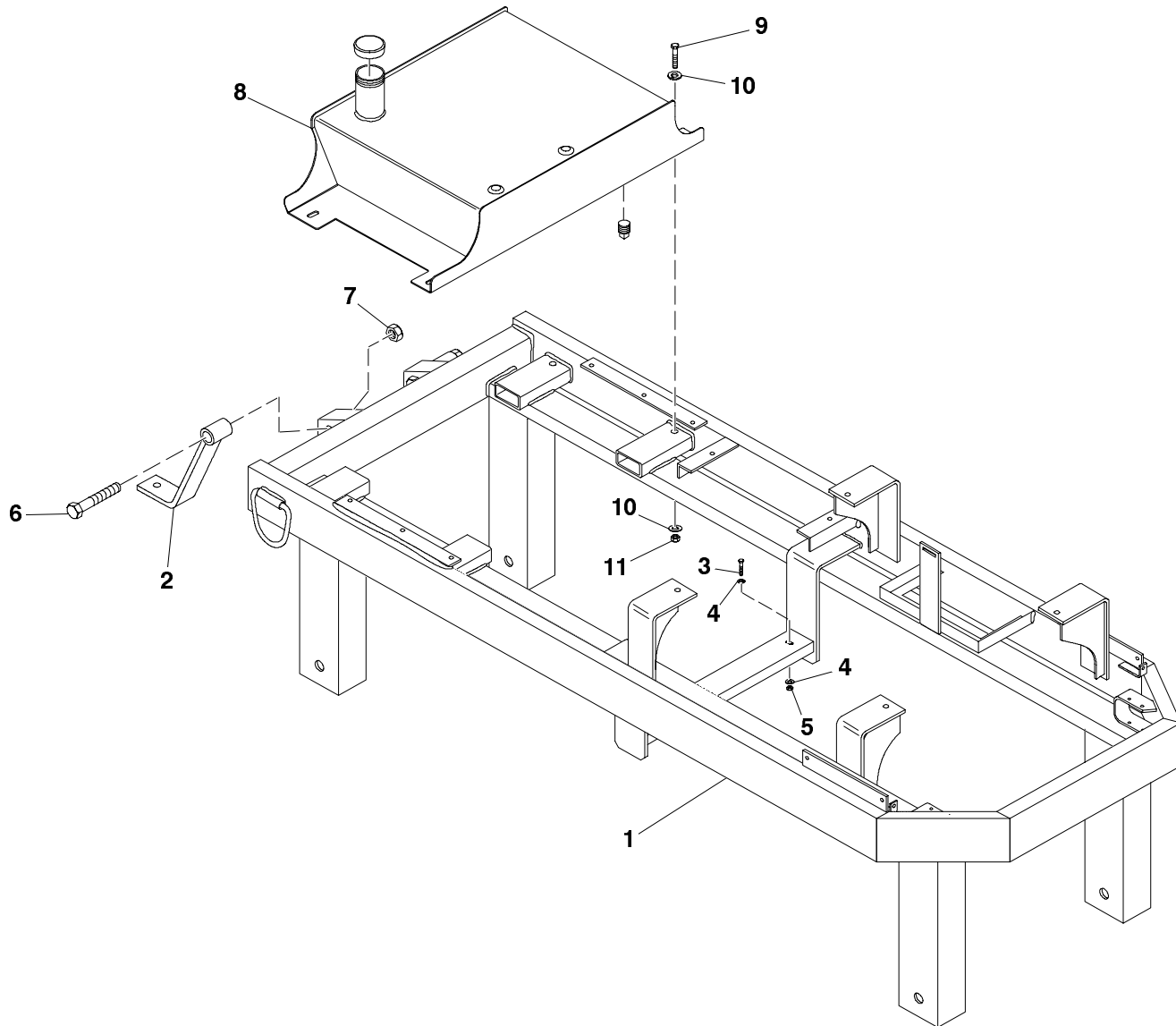
A91225-0505



ЗАПЧАСТИ ДЛЯ БЕТОННАСОСОВ  
+79180710333



(1-11)  
0



TK FRAME ASSEMBLY (TRUCK SKID OPTION)

A720030



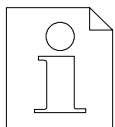
9.5

A90997-0204



ЗАПЧАСТИ ДЛЯ БЕТОННІВАННЯ  
+79180710333

0	A720030	1	FRAME ASSEMBLY (TRUCK SKID OPTION)	
1	A000091	1	.FRAME WELDMENT, TRUCK SKID	
2	A920041	2	.BRACKET, HOPPER MOUNTING	RS487A
3	AT301368	4	.HHCS	5/8-11 X 2", GR.8 CP
4	AT302562	8	WASHER, FLAT	5/8, SAE CP
5	A971173	4	.NUT, TOP LOCK	5/8-11, GR.C CADWX
6	032268001	2	.HHCS	M30 X 160 DIN931-8.8
7	034113002	2	.NUT, NYLOCK	M30 DIN985-8
8	A017034	1	.FUEL TANK	20 GAL
9	A380091	4	.HHCS	3/8-16 X 3, ZP
10	AT302506	8	.WASHER, FLAT	3/8, SAE CP
11	A971165	4	.NUT, TOP LOCK	3/8-16, GR.B CADWX



TK FRAME ASSEMBLY (TRUCK SKID OPTION)

A720030



**9.5**

A90997-0204

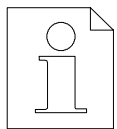
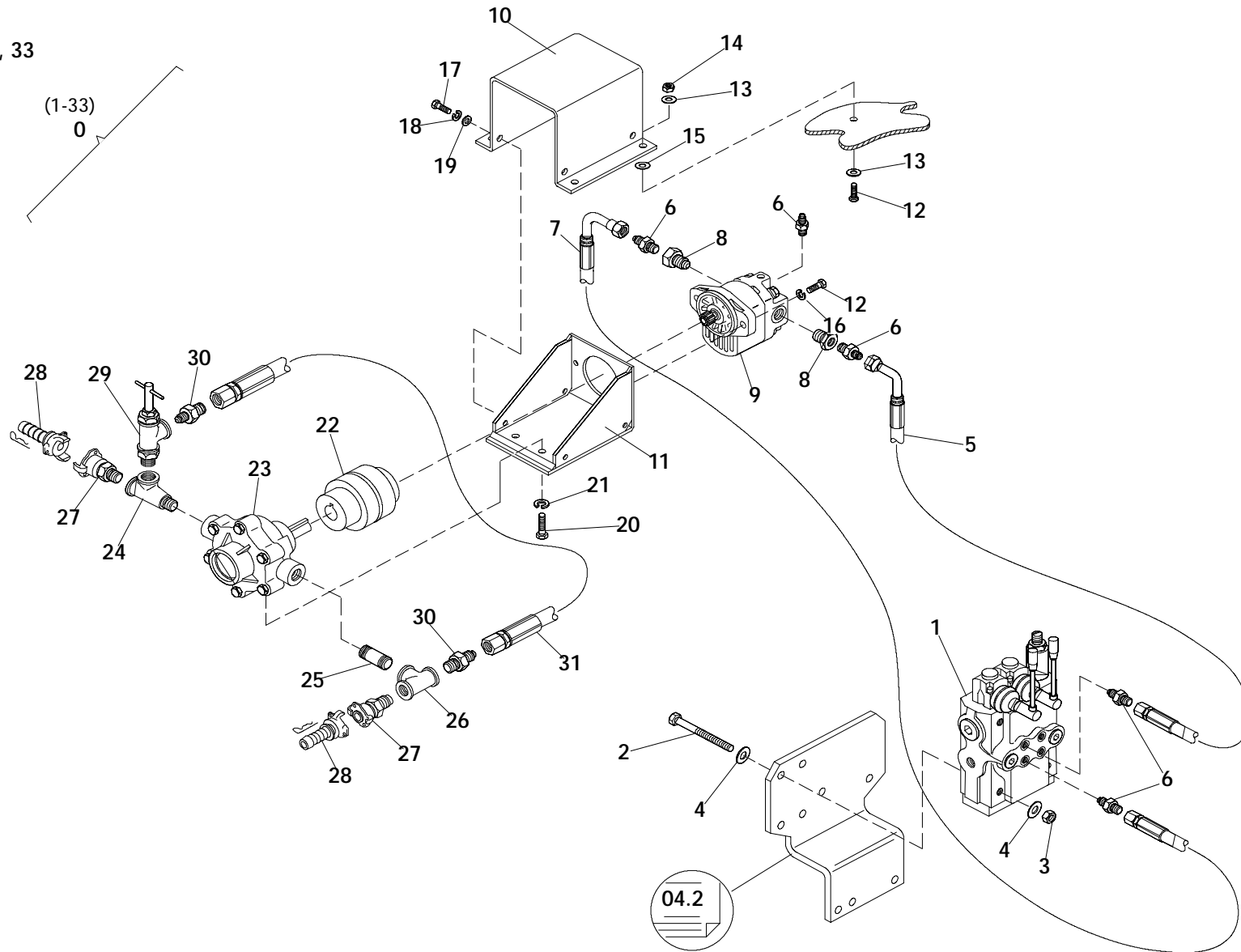


ЗАПЧАСТИ ДЛЯ БЕТОННАСОСОВ  
+79180710333



32, 33

(1-33)  
0

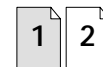


THOM-KATT WATER PUMP KIT W/RMX METRIC

A123041

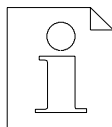
12.3

A91201-0410



ЗАПЧАСТИ ДЛЯ БЕТОННАСОСОВ  
+79180710333

0	A123041	1	WATER PUMP KIT, THOM-KATT W/RMX METRIC	
1	A023002	1	.VALVE 2-SPOOL RMX/WAT	
2	AT303437	3	.HHCS	5/16-18X2-2-3/4 GR5 ZP
3	A971166	3	.NUT TOP LOCK	5/16-18 GR.B CADW
4	A971283	6	.WASHER FLAT	5/16 SAE ZP
5	249484005	1	.HY-HOSE	2ST 12X750 90DGR
6	044172004	5	.COUPLING	GES 12L 9/16-18UNF
7	249487002	1	.HY-HOSE	2ST 12X900 90DGR
8	AT312293	2	.ADAPTER	6FB-12MB
9	A036007	1	.HYD MOTOR	14.4CC SAE-A KEY AZMF-12
10	A001587	1	.BRACKET F WATER PUMP	
11	AT138762	1	.BRACKET F FLUSHING WATER PUMP	
12	AT301015	6	.HHCS	3/8-16X1" GR5 ZP
13	AT302506	8	.WASHER FLAT	3/8 SAE CP
14	A971165	4	.NUT TOP LOCK	3/8-16 GR.B CADWX
15	058829000	4	.WASHER RUBBER	D9X35 S=5
16	AT302502	2	.WASHER LOCK	3/8 ZP
17	AT301001	4	.HHCS	1/4-20X3/4 GR5 ZP
18	A380045	4	.WASHER LOCK	1/4 ZP
19	AT302557	4	.WASHER FLAT	1/4 SAE CP
20	AT301007	2	.HHCS	5/16-18X1" GR5 ZP
21	AT302517	2	.WASHER LOCK	5/16 ZP
22	AT139288	1	.WATER PUMP COUPLING ASSY	
23	018533006	1	.WATER PUMP	WP 50
24	A043024	2	.TEE STREET	3/4 NPT X90 GALV
25	A043020	1	.PIPE NIPPLE	3/4 NPTX 1.5" GALV
26	040140001	1	.TEE	3/4Z FG130
27	AT307514	2	.CLAW COUPLING	UNIVERSAL 3/4" MALE
28	AT307516	2	.STEM COUPLING	3/4" HOSE END
29	018529007	1	.VALVE PRESS. LIMIT	
30	AT508370	2	.ADATPER	12MJ-12MP
31	A041280	1	.HOSE	12C1T,12FJX-12FJX,34"
32	A800076	1	.DECAL WATER	
33	A800186	1	.DECAL CAUTION DO NOT OPERATE	



THOM-KATT WATER PUMP KIT W/RMX METRIC

A123041

12.3



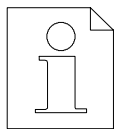
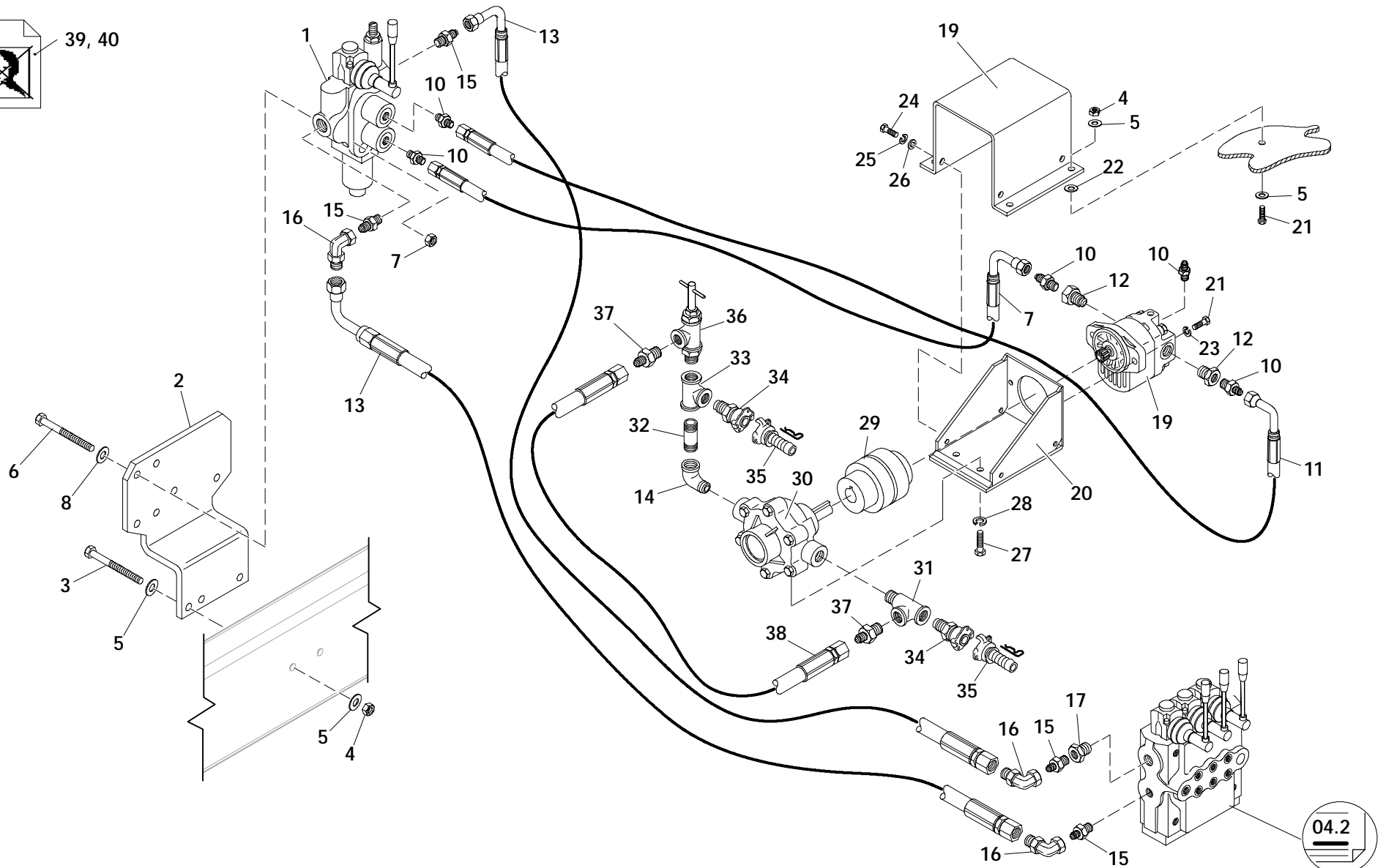
A91201-0410



ЗАПЧАСТИ ДЛЯ БЕТОННАСОСОВ  
+79180710333



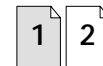
39, 40



THOM-KATT WATER PUMP KIT W/O RMX METRIC

A123042

12.3

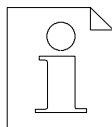


A91202-0410



ЗАПЧАСТИ ДЛЯ БЕТОННАСОСОВ  
+79180710333

0	A123042	1	WATER PUMP KIT, THOM-KATT W/O RMX METRIC	
1	A023000	1	.VALVE 1-SPOOL WATER PUMP	
2	A001940	1	.BRACKET SPOOL VALVE TK	
3	AT301103	2	HHCS	3/8-16X2-3/4 GR5 ZP
4	A971165	6	.NUT TOP LOCK	3/8-16 GR.B CADWX
5	AT302506	12	.WASHER FLAT	3/8 SAE CP
6	AT301221	2	.HHCS	5/16-18X2-1/4 GR5 ZP
7	A971166	2	.NUT TOP LOCK	5/16-18 GR.B CADW
8	A971283	2	.WASHER FLAT	5/16 SAE ZP
9	249484005	1	.HY-HOSE	2ST 12X750 90DGR
10	044172004	5	.COUPLING	GES 12L 9/16-18UNF
11	249487002	1	.HY-HOSE	2ST 12X900 90DGR
12	AT312293	2	.ADAPTER	6FB-12MB
13	A041499	2	.HY-HOSE	15L-15L90 X1320
14	A043022	1	.ELBOW STREET	3/4 NPT X90 GALV
15	291409009	4	.FITTING	8MB-15L
16	044072007	3	.COUPLING	EWSD 15L
17	A316151	1	.FITTING POWER BEYOND	3XGIU2747
18	A036007	1	.HYD MOTOR	14.4CC SAE-A KEY AZMF-12
19	A001587	1	.BRACKET F WATER PUMP	
20	AT138762	1	.BRACKET F FLUSHING WATER PUMP	
21	AT301015	6	.HHCS	3/8-16X1 GR5 ZP
22	058829000	4	.WASHER RUBBER	D9X35 S=5
23	AT302502	2	.WASHER LOCK	3/8 ZP
24	AT301001	4	.HHCS	1/4-20X3/4 GR5 ZP
25	A380045	4	.WASHER LOCK	1/4 ZP
26	AT302557	4	.WASHER FLAT	1/4 SAE CP
27	AT301007	2	.HHCS	5/16-18X1 GR5 ZP
28	AT302517	2	.WASHER LOCK	5/16 ZP
29	AT139288	1	.WATER PUMP COUPLING ASSY	
30	018533006	1	.WATER PUMP	WP 50
31	A043024	1	.TEE STREET	3/4 NPT X90 GALV
32	A043039	1	.PIPE NIPPLE	3/4 NPT X3 GALV
33	040140001	1	.TEE	3/4Z GF130
34	AT307514	2	.CLAW COUPLING	3/4 UNIVERSAL
35	AT307516	2	.STEM COUPLING	3/4 HOSE END
36	018529007	1	VALVE PRESS. LIMIT	
37	AT508370	1	.ADAPTER	12MJ-12MP
38	A041280	2	.HOSE	12C1T,12FJX-12FJX,34"
39	A800076	1	.DECAL WATER	
40	A800186	1	.DECAL CAUTION DO NOT OPERATE	



Putzmeister

THOM-KATT WATER PUMP KIT W/O RMX METRIC

A123042

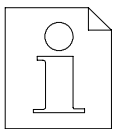
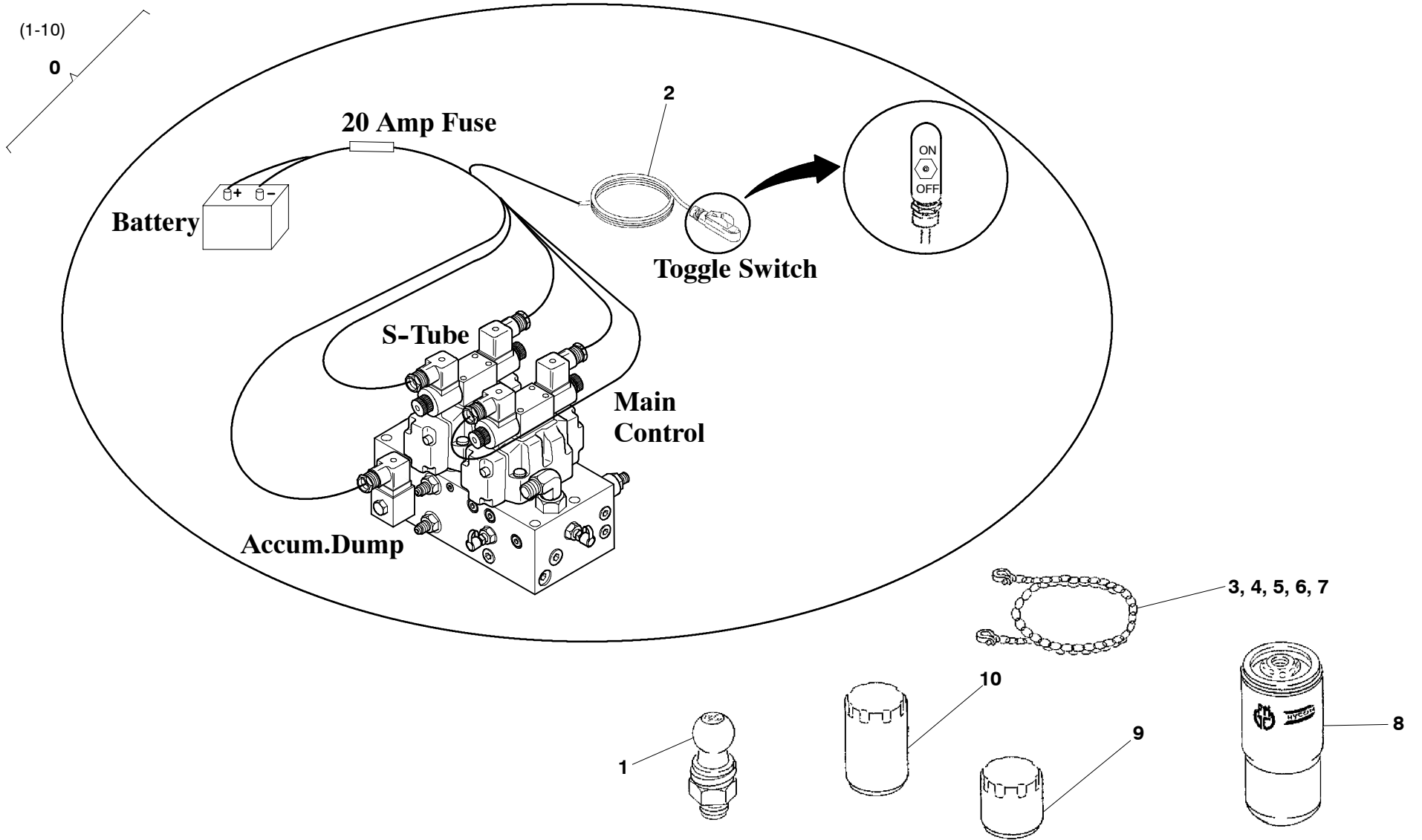
12.3



A91202-0410



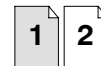
ЗАПЧАСТИ ДЛЯ БЕТОННАСОСОВ  
+79180710333



SHIP AWAY KIT (TK40)

A126097

**12.6**

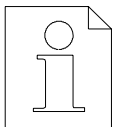


A90192-0505



ЗАПЧАСТИ ДЛЯ БЕТОНОНАСОСОВ  
+79180710333

0	A126097	1	SHIP AWAY KIT	TK40
1	A098106	1	.HITCHBALL	2-5/16" #10K ZP
2	A052274	1	.EMERGENCY STROKE CHANGE KIT	
3	AT200046	1	.SAFETY CHAIN ASSEMBLY	
4	032184004	2	.HHCS	M14X50 DIN931-8.8
5	037111001	4	.FLAT WASHER	17 DIN125-ST
6	034108004	2	.NYLOCK NUT	M14 DIN985-10
7	AT309129	1	.ANCHOR SHACKLE	3/8
8	AT311660	1	.ELEMENT, HYDRAULIC OIL FILTER	
9	AT318921	1	.FILTER, FUEL	DEUTZ F4L1011
10	AT318922	1	.FILTER, ENGINE OIL	DEUTZ F4L1011
12	AT309338	1	.FOOT FOR SIDE WIND JACK	



SHIP AWAY KIT (TK40)

A126097

**12.6**



A90192-0505



ЗАПЧАСТИ ДЛЯ БЕТОННАСОСОВ  
+79180710333